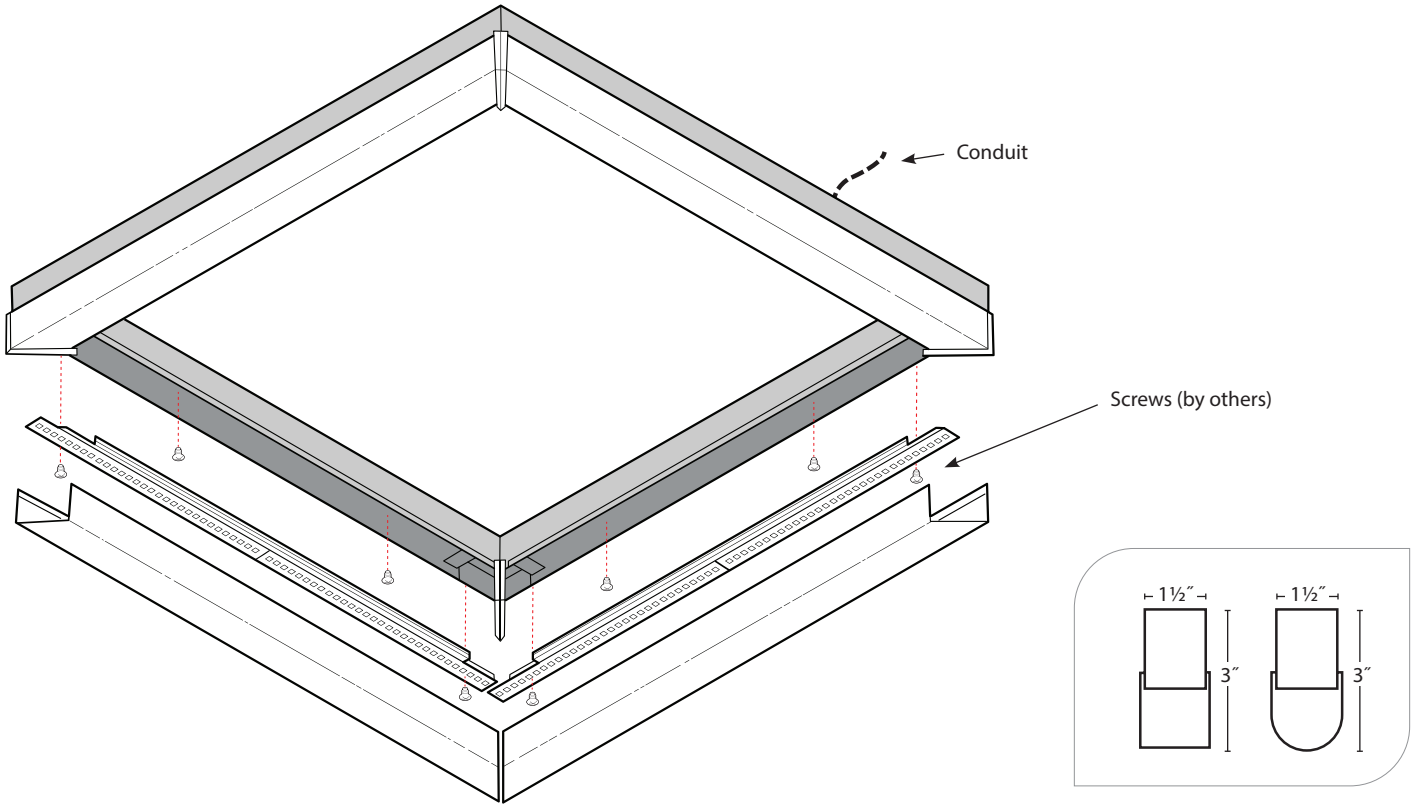




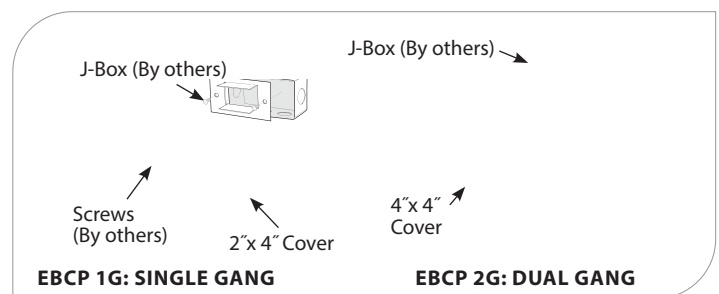
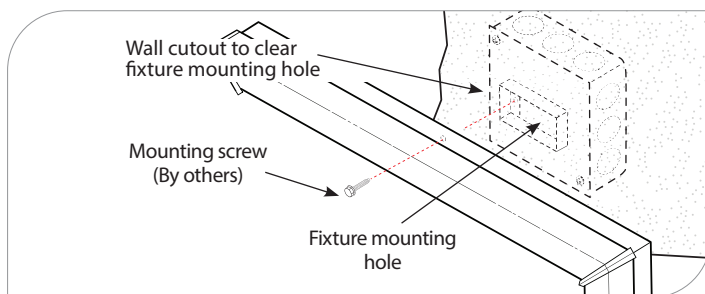
## OPTION 1

### HARD CEILING (NA WITH TBAR)



## OPTION 2

### EBCP - ELECTRICAL BOX COVERS (OPTIONAL)



#### OPTIONAL ELECTRICAL BOX COVERS

7/8" Dia. K.O. will accommodate  
2"x 4" or 4"x 4" J-Box

**WARNING:** Ground fixture in accordance with local and national electrical codes. Failure to do so may result in serious personal injury. Fixture Installations should ONLY be done by a qualified licensed electrical professional.