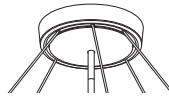




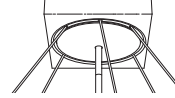
INSTALLATION INSTRUCTIONS

X1 (T-BAR)

PART SHIPPED SEPARATELY



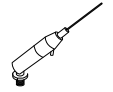
Round Canopy



Square Canopy



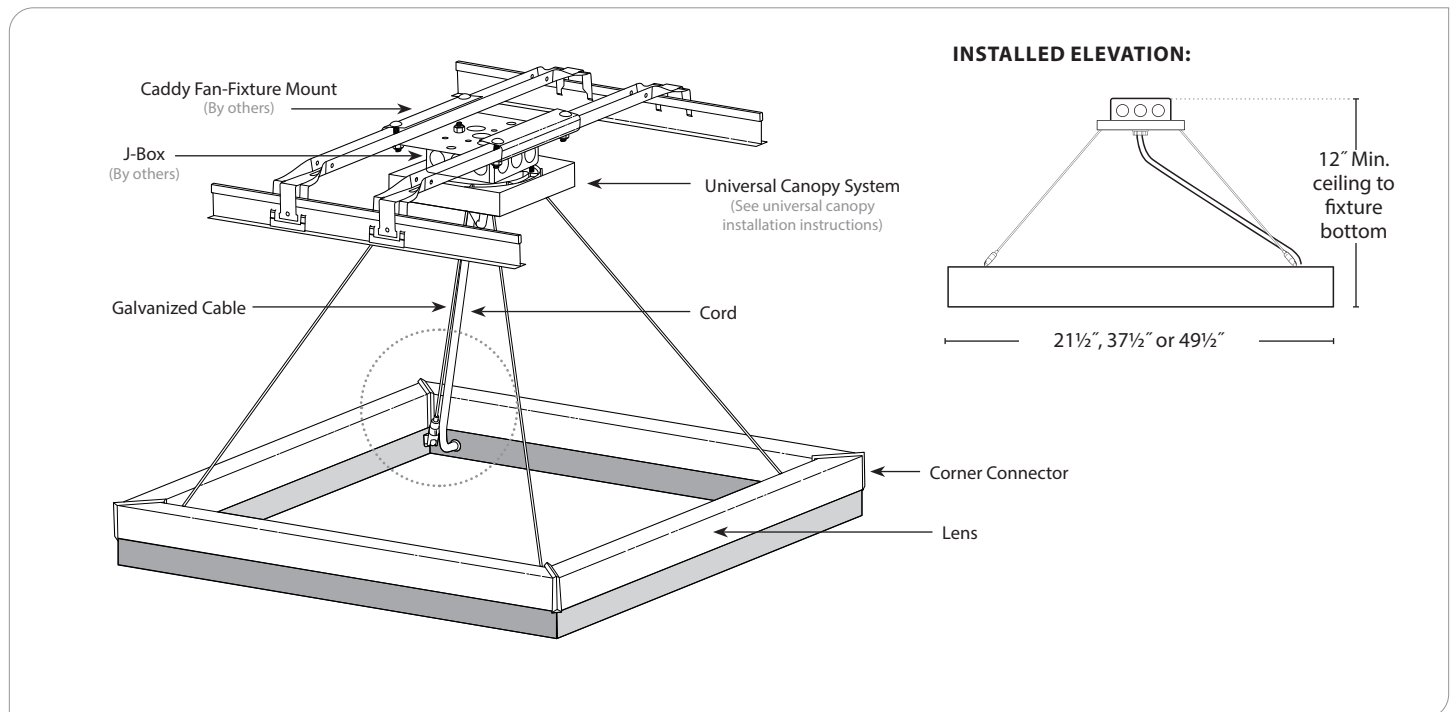
Aircraft Cable



Gripper

GENERAL NOTES

1. See RPM/SPM instructions for canopy installation
2. Contractor to field cut and strip power cord to specified lengths
3. Trim excess cable no less than 3" beyond gripper outlet



WARNING: Ground fixture in accordance with local and national electrical codes. Failure to do so may result in serious personal injury. Fixture Installations should ONLY be done by a qualified licensed electrical professional.



INSTALLATION INSTRUCTIONS

PRULITE.COM 213.746.0360

MOUNTING

1. Screw cable grippers into corner holes until they bottom out.
2. Follow separate cable mounting instruction for ceiling.

INSTALLING CORNERS

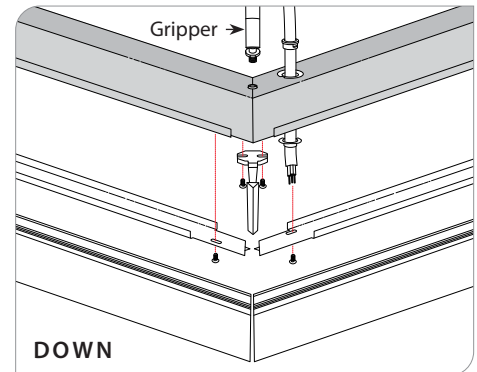
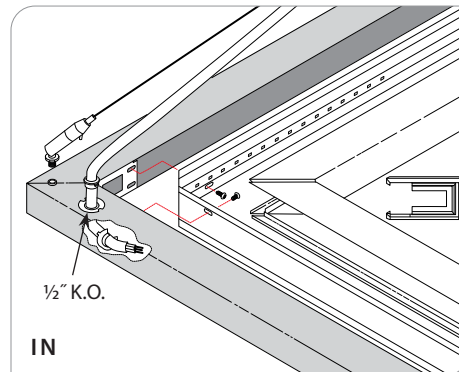
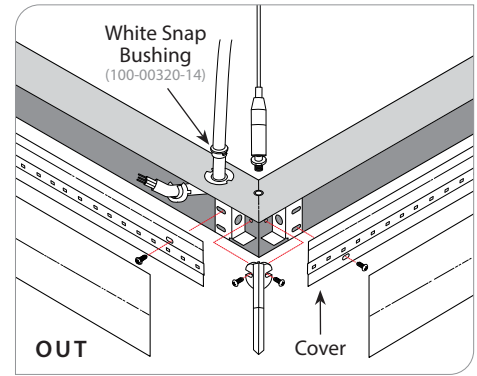
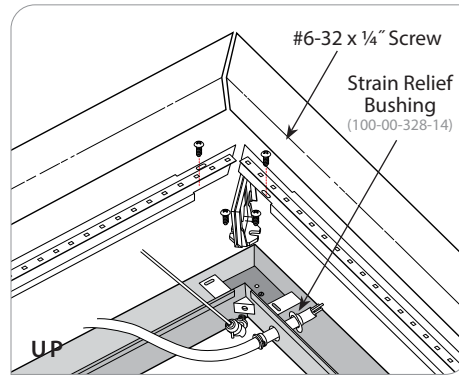
ZENITH OUT/ UP/ DOWN

1. Remove lens and covers from both adjacent sides. (See removing covers).
2. Align corner connector holes to corner bracket holes and secure with (2x) screw

ZENITH IN

1. Remove corner by sliding out. (See removing covers).

NOTE: Corner lens connector aligner used to close gap at lens seams.

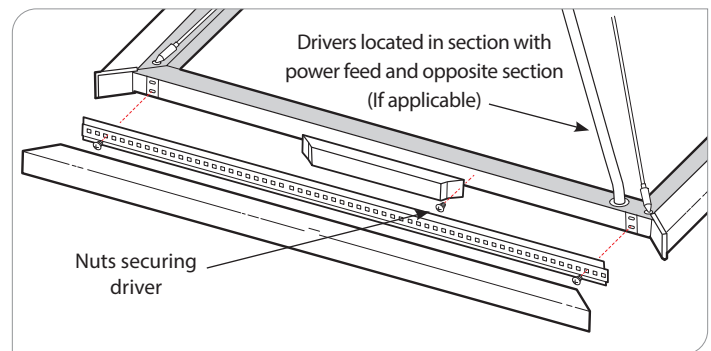
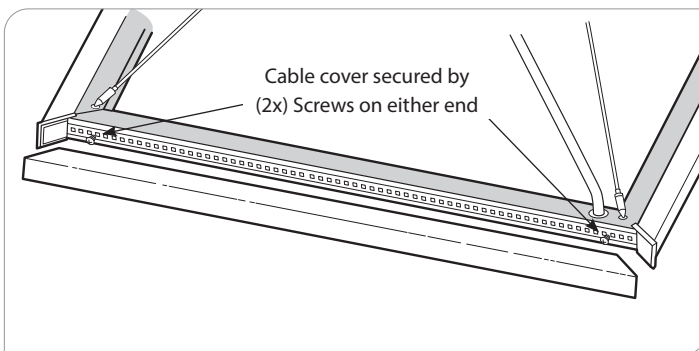


NOTE: 1/2" Diameter K.O. is standard 3 & 4 wire cord. Use 7/8" diameter with universal bushing when 5 or 6 wire cord is required.

REMOVING COVERS

To remove covers to service LED boards or drivers.

1. Unsnap lens section.
2. Unscrew 2x screws holding cover down.



WARNING: Ground fixture in accordance with local and national electrical codes. Failure to do so may result in serious personal injury. Fixture Installations should ONLY be done by a qualified licensed electrical professional.