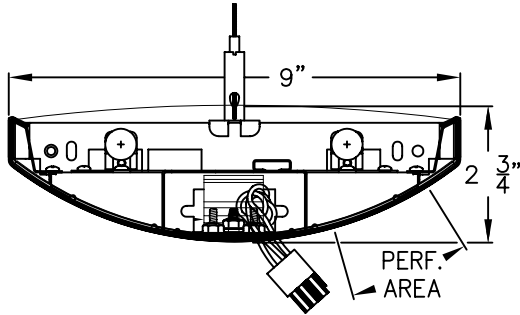


WAVE INSTALLATION INSTRUCTIONS

WARNING:

GROUND FIXTURE IN ACCORDANCE WITH LOCAL AND NATIONAL ELECTRICAL CODES. FAILURE TO DO SO MAY RESULT IN SERIOUS PERSONAL INJURY.

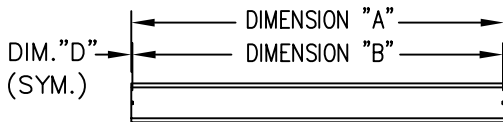


FIXTURE CROSS SECTION

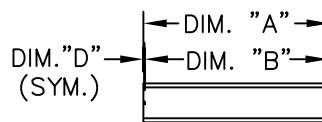
GENERAL NOTES

1. START ALL ROW MOUNTING FROM LEFT TO RIGHT.
2. DO NOT COUPLE FIXTURES TOGETHER PRIOR TO HANGING. SEVERE DAMAGE TO THE FIXTURE MAY RESULT.
3. FOR CONTINUOUS ROW MOUNTING SEE LAYOUT OF ROWS/PATTERNS FOR DIMENSION DETAILS.
4. FOR CABLE OR STEM INSTALLATION DETAIL SEE INSTALLATION INSTRUCTIONS DRAWING NO. 42108, 42109, 42110, & 42111.

TYPICAL ROW DETAIL

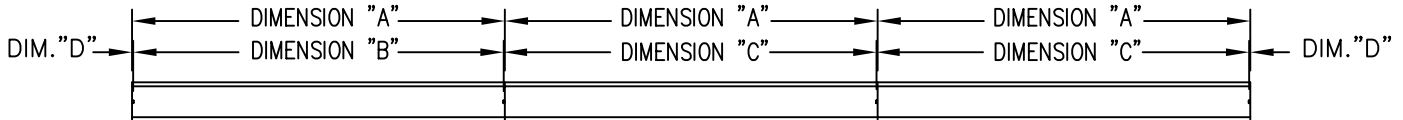


8' INDIVIDUAL MTG.



4' INDIVIDUAL MTG.

CABLE MOUNT DIMENSIONS			
OVERALL FIXTURE DIMENSION "A"	INDIVIDUAL DIM. "B"	CONTINUOUS DIM. "C"	START/END DIM. "D"
3'-0"	35 1/2"	36"	1/4"
4'-0"	47 1/2"	48"	1/4"
6'-0"	71 1/2"	72"	1/4"
8'-0"	95 1/2"	96"	1/4"
12'-0"	143 1/2"	144"	1/4"



CONTINUOUS ROW MOUNTING PLAN

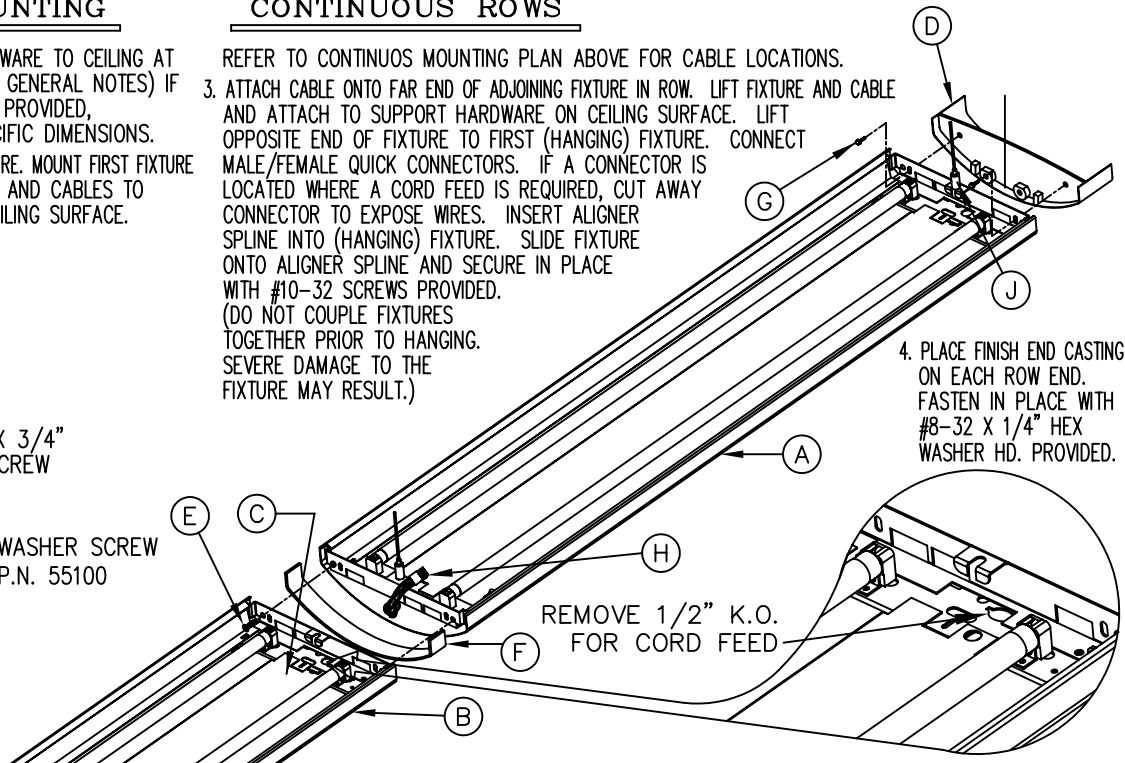
FIXTURE MOUNTING

1. MOUNT ALL SUPPORT HARDWARE TO CEILING AT REQUIRED LOCATIONS (SEE GENERAL NOTES) IF FACTORY LAYOUT PLAN IS PROVIDED, CHECK LAYOUT FOR SPECIFIC DIMENSIONS.
2. MOUNT (2) CABLES ONTO FIXTURE. MOUNT FIRST FIXTURE IN ROW BY LIFTING FIXTURE AND CABLES TO SUPPORT HARDWARE ON CEILING SURFACE.

- (A) HOUSING WELDMENT
- (B) ADJOINING FIXTURE
- (C) BALLAST COVER
- (D) FINISH END CASTING
- (E) P.N. 55348 #10-32 X 3/4" SELF TAPPING P.H. SCREW
- (F) ALIGNER SPLINE
- (G) #8-32 X 1/4" HEX WASHER SCREW P.N. 55100
- (H) QUICK CONNECT
- (J) CABLE ASSEMBLY *SEE GENERAL NOTE 4

CONTINUOUS ROWS

3. REFER TO CONTINUOUS MOUNTING PLAN ABOVE FOR CABLE LOCATIONS. ATTACH CABLE ONTO FAR END OF ADJOINING FIXTURE IN ROW. LIFT FIXTURE AND CABLE AND ATTACH TO SUPPORT HARDWARE ON CEILING SURFACE. LIFT OPPOSITE END OF FIXTURE TO FIRST (HANGING) FIXTURE. CONNECT MALE/FEMALE QUICK CONNECTORS. IF A CONNECTOR IS LOCATED WHERE A CORD FEED IS REQUIRED, CUT AWAY CONNECTOR TO EXPOSE WIRES. INSERT ALIGNER SPLINE INTO (HANGING) FIXTURE. SLIDE FIXTURE ONTO ALIGNER SPLINE AND SECURE IN PLACE WITH #10-32 SCREWS PROVIDED. (DO NOT COUPLE FIXTURES TOGETHER PRIOR TO HANGING. SEVERE DAMAGE TO THE FIXTURE MAY RESULT.)
4. PLACE FINISH END CASTING ON EACH ROW END. FASTEN IN PLACE WITH #8-32 X 1/4" HEX WASHER HD. PROVIDED.



1774 EAST 21ST STREET L.A. CA 90058
 TEL. (213)746-0360 FAX (213)746-8838
PRUDENTIAL LTG . WWW.PRULITE.COM

DRAWN BY: S.P.H. DATE: 7/9/08
 CHK. DATE:

DWG. No. 42131

DISK No. ZD3
 REV. C