



Stream™ | Recessed Linear 4" Veiled Ambient Slot

INSTALLATION INSTRUCTIONS

CORNERS

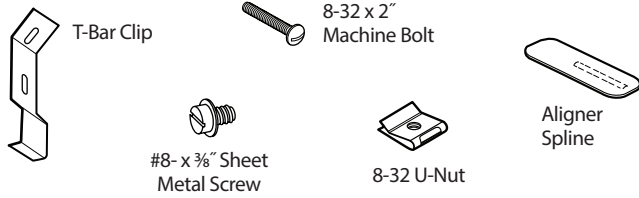


PRUDENTIAL LTG.

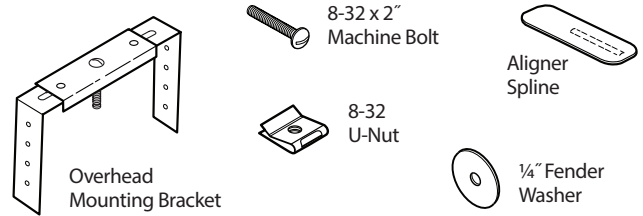
PRULITE.COM 213.746.0360

GENERAL INSTALLATION

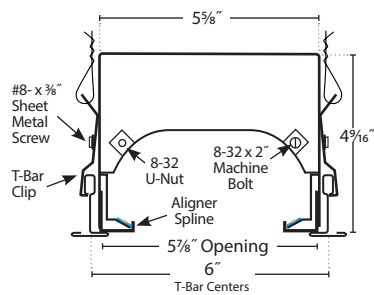
X1 PARTS



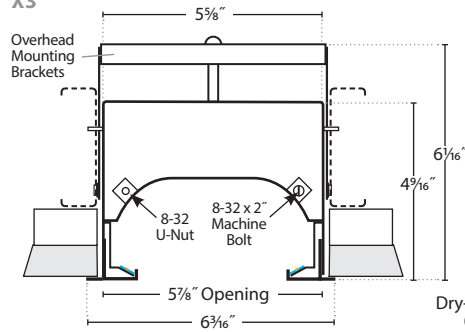
X3 /X7 PARTS



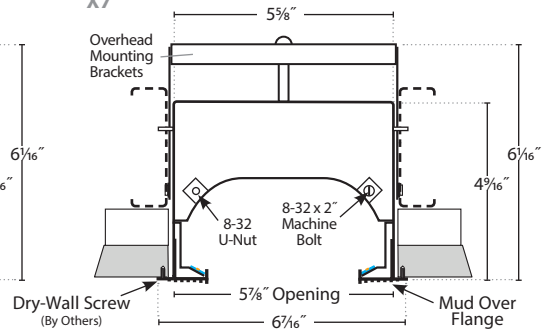
X1



X3

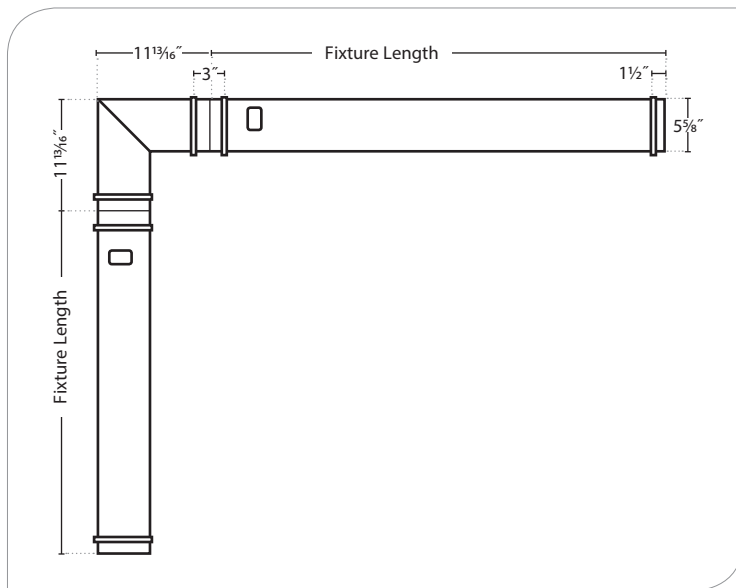


X7



T-Bar Ceilings: Corner T-Bar length is 1' nominal.

Hard Ceilings: Length of ceiling opening is fixture row plus 1/8" on each end.



WARNING: Ground fixture in accordance with local and national electrical codes. Failure to do so may result in serious personal injury.



Stream™ | Recessed Linear 4" Veiled Ambient Slot

INSTALLATION INSTRUCTIONS

CORNERS



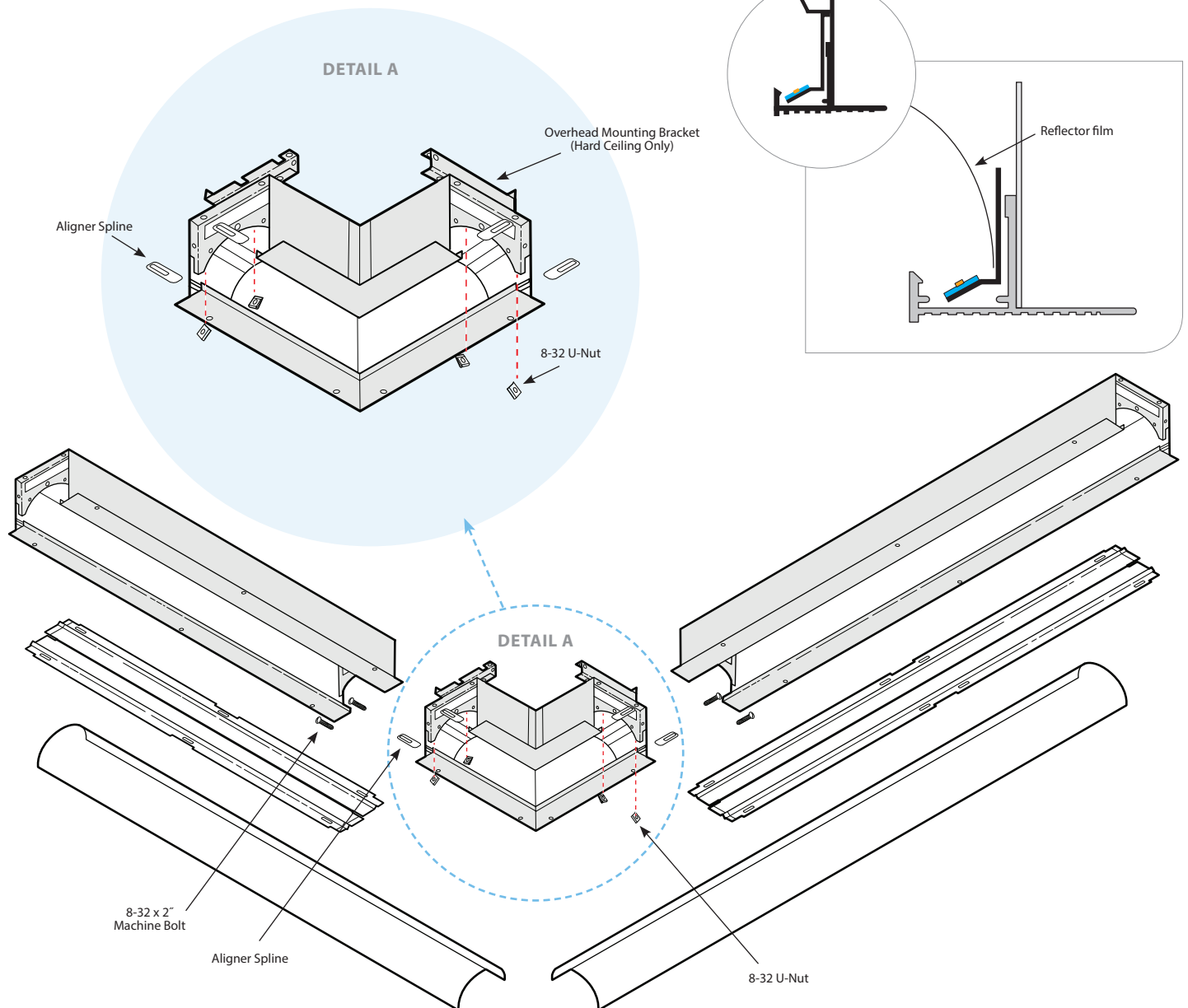
PRUDENTIAL LTG.

PRULITE.COM 213.746.0360

CORNER INSTALLATION STEPS

NOTE: Corners are powered by driver in previous fixture

1. Install corner body into ceiling.
2. Remove driver covers from adjoining fixtures. Join fixtures to corner with 2x #8 screws, 2x u-nuts, and 2x aligner splines at each joint. Reinstall driver covers on adjoining fixtures.
3. Remove foam inserts from corners.
4. Wearing gloves, install long film in both adjoining rows (runs into corner fixture).



WARNING: Ground fixture in accordance with local and national electrical codes. Failure to do so may result in serious personal injury.