



## INSTALLATION INSTRUCTIONS

### X1, X6 (T-BAR)

#### PARTS LIST

##### FINISH PLATES

INSTALLED ON INDIVIDUALS / SHIPPED SEPARATELY ON ROWS

| Image | PART NO. | DESCRIPTION |
|-------|----------|-------------|
|       | 100614   | S1 Square   |
|       | 102519   | Razor       |
|       | 100620   | R1 Round    |
|       | 102521   | Aero        |
|       | 102522   | Flair       |

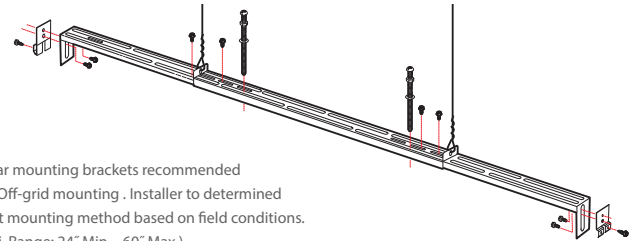
##### JOINERS:

| Image | PART NO. | DESCRIPTION |
|-------|----------|-------------|
|       | 102523   | S1 Square   |
|       | 102524   | Razor       |
|       | 102525   | R1 Round    |
|       | 102526   | Aero        |
|       | 102527   | Flair       |

#### PARTS LIST

##### T-BAR MOUNTING RAIL ASSEMBLY (OPTIONAL FOR OFF-GRID MOUNTING):

101962



T-bar mounting brackets recommended for Off-grid mounting. Installer to determine best mounting method based on field conditions. (Adj. Range: 24" Min. - 60" Max.)

|  |              |                                                     |
|--|--------------|-----------------------------------------------------|
|  | 100-00283-14 | 1/4-20 x 5" Round Hd. MS SL Type F                  |
|  | 100-00165-14 | 1/4-20 Hex Nut                                      |
|  | 100-00008-14 | 1/4" x 1/2" Washer                                  |
|  | 100-00086-14 | #6 x 3/8" Tek Screw                                 |
|  | —            | #6 X 3/8" PH Torx Tamper-Resistant Screw (Optional) |

##### CORNER BOX & SNAP ON COVER: SHIPPED SEPARATELY

|  |       |                     |
|--|-------|---------------------|
|  | 89646 | 90° Corner Assembly |
|--|-------|---------------------|

##### LENSES INSTALLED ON INDIVIDUALS / SHIPPED SEPARATELY ON ROWS

| S1 | RAZOR | R1 | AERO | FLAIR |
|----|-------|----|------|-------|
|    |       |    |      |       |

**WARNING:** Ground fixture in accordance with local and national electrical codes. Failure to do so may result in serious personal injury. Fixture Installations should ONLY be done by a qualified licensed electrical professional.

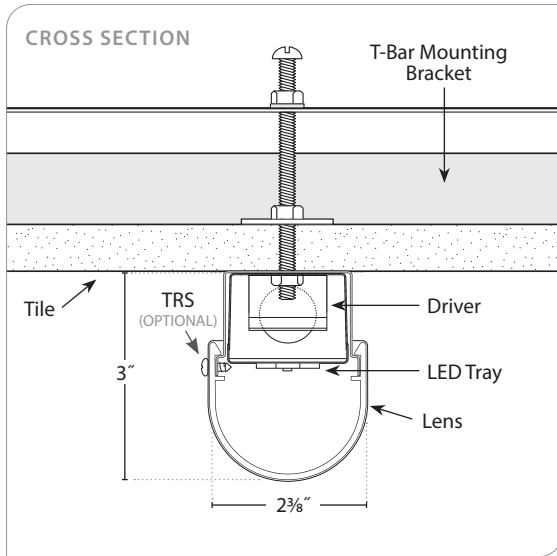


**INSTALLATION INSTRUCTIONS**

**X1, X2, X6 (T-BAR)**

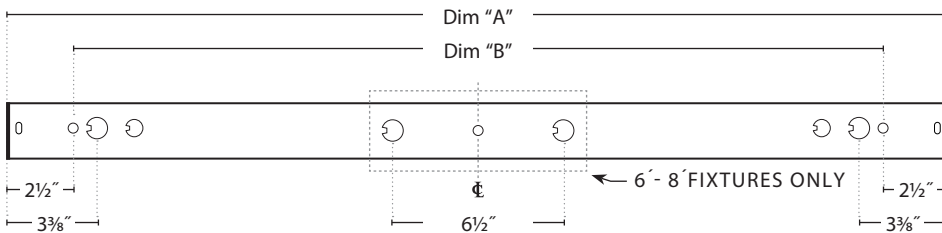
**GENERAL INSTALLATION**

- See row diagram or prudential Lighting plan layout (if provided).  
Begin all row mounting from left to right (see arrows).
- Depending upon ceiling construction structural support may be required at mounting hole locations.
- For cable installation detail, see separate cable mounting instructions.
- If mounting off grid, optional 'T-Bar Mounting Rail Assembly' is available (see page 3).



**MOUNTING LOCATIONS**

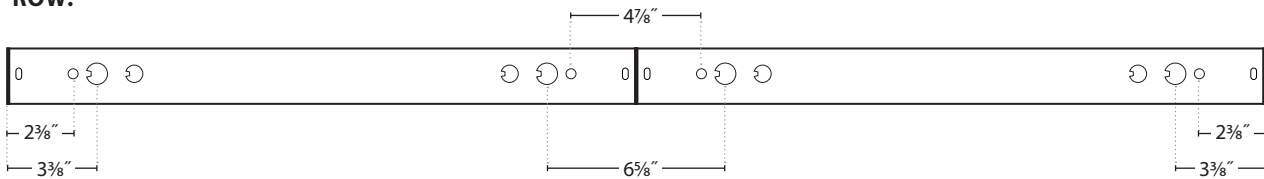
**INDIVIDUAL:** ROW DIRECTION: INSTALL FROM LEFT TO RIGHT



**SURFACE MOUNT DIMENSIONS**

| FIXTURE | Dim "A"  | Dim "B"  |
|---------|----------|----------|
| 2'      | 24 1/4"  | 19 1/4"  |
| 3'      | 36 1/4"  | 32 1/4"  |
| 4'      | 48 1/4"  | 43 1/4"  |
| 5'      | 60 1/4"  | 55 1/4"  |
| 6'      | 72 5/16" | 67 5/16" |
| 7'      | 84 5/16" | 79 5/16" |
| 8'      | 96 5/16" | 95 5/16" |

**ROW:**



= 7/8" Wiring K.O.    = 1/4" Mounting Hole

**WARNING:** Ground fixture in accordance with local and national electrical codes. Failure to do so may result in serious personal injury. Fixture Installations should ONLY be done by a qualified licensed electrical professional.

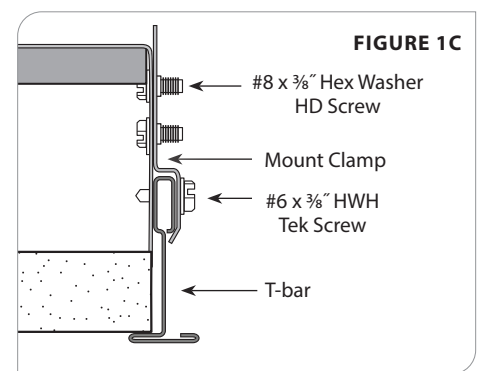
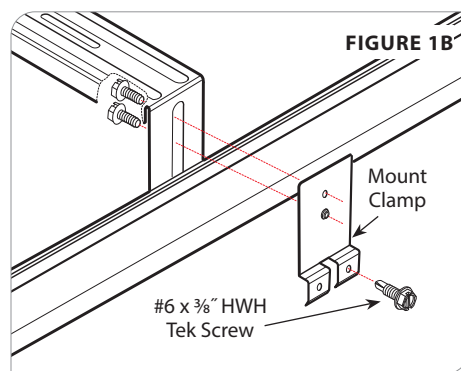
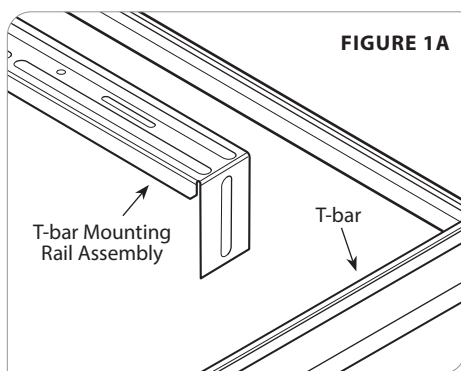
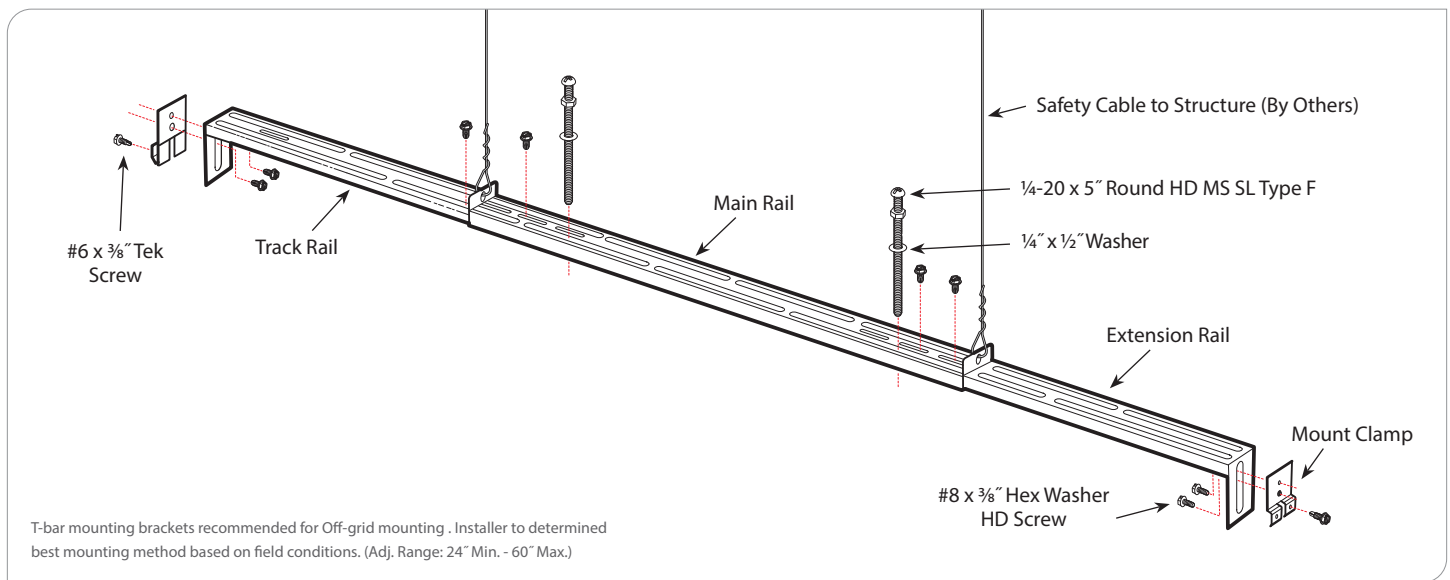


**INSTALLATION INSTRUCTIONS**

**X1, X6 (T-BAR)**

**T-BAR MOUNTING RAIL ASSEMBLY (OPTIONAL)**

1. Mark mounting dimensions on ceiling tile and drill (2x) 3/8" holes.
2. Extend t-bar mounting rail assembly (101962) to fit t-bar grid (figures 2A & 2B). (8-32 x 1/2 Washer HD screws may need to be removed to expand rails).
3. Place t-bar mounting rail assembly against inner wall of t-bar with clamps.
4. Secure assembly to t-bar with clamps (figures 1B & 1C).
5. Drive #6 x 3/8" Tek Screws through clamp and t-bar.
6. Use 1/4-20 x 5" Round HD. Mounting Screws at each mounting location. Adjust so screw protrudes ceiling tile by 1/2".
7. Attach safety cable (by others) to rail assembly and secure to structure.



**WARNING:** Ground fixture in accordance with local and national electrical codes. Failure to do so may result in serious personal injury. Fixture Installations should ONLY be done by a qualified licensed electrical professional.



## INSTALLATION INSTRUCTIONS

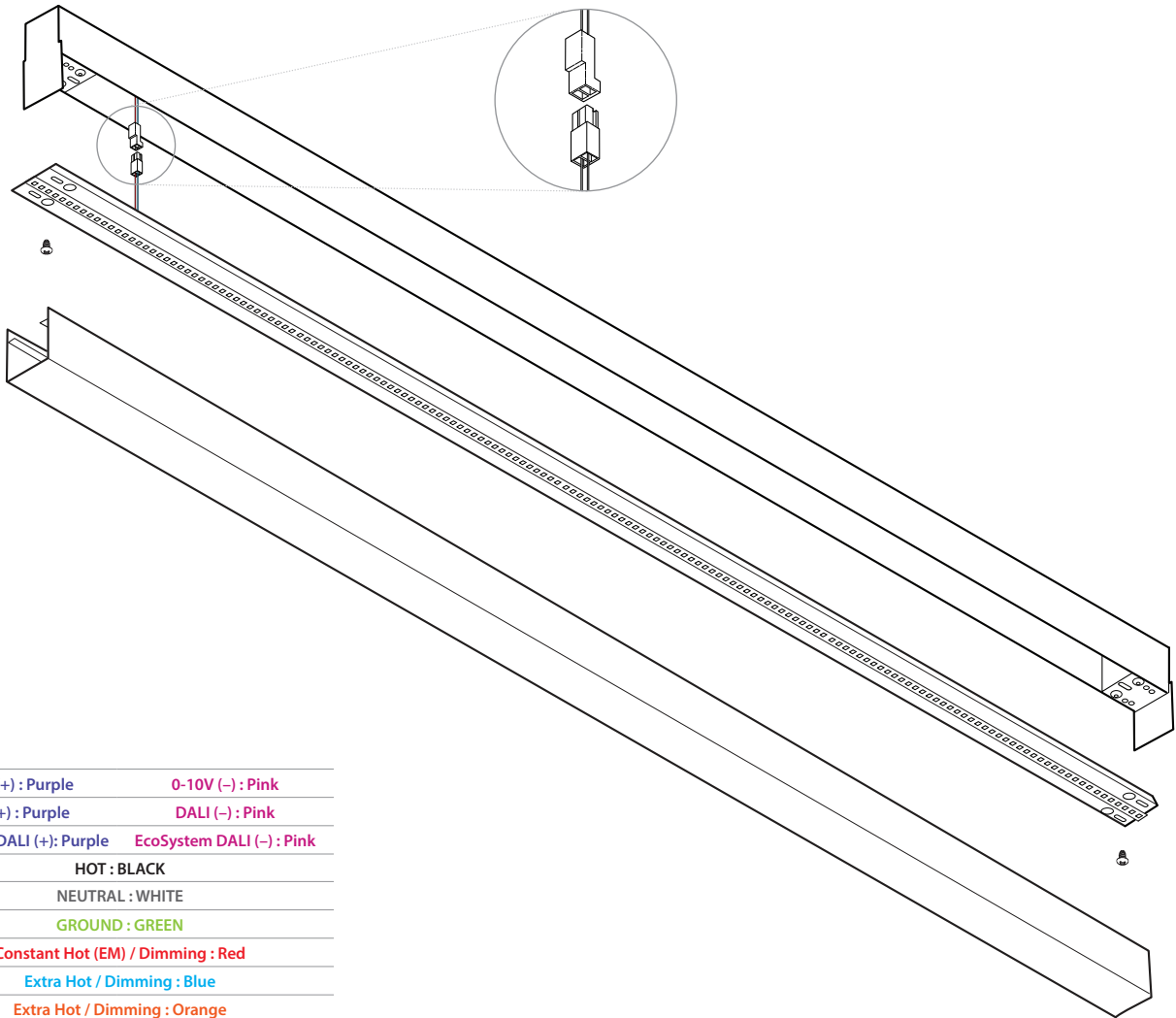
### X1, X6 (T-BAR)

#### INDIVIDUAL

REFER TO PAGE 3 FOR OPTIONAL T-BAR MOUNTING RAIL ASSEMBLY

1. Remove Lens from fixture.
2. Unscrew LED tray from body and remove the LED tray by unplugging the LED lead wire disconnects on first fixture, remove LED Tray (figure 2).
3. Mount fixture to ceiling surface through ¼" diameter holes (mounting hardware provided by others) & make all electrical connections from ceiling to fixture (figure 4, page 5). For fixtures with internal EM drivers, **DO NOT** plug the connectors until after normal power has been applied to the fixture.
4. Re-install reflectors. Ensure no wires are pinched between trays and housing to avoid electrical and alignment issues.

FIGURE 2



#### WIRING:

|                                   |                           |
|-----------------------------------|---------------------------|
| 0-10V (+) : Purple                | 0-10V (-) : Pink          |
| DALI (+) : Purple                 | DALI (-) : Pink           |
| EcoSystem DALI (+) : Purple       | EcoSystem DALI (-) : Pink |
| HOT : BLACK                       |                           |
| NEUTRAL : WHITE                   |                           |
| GROUND : GREEN                    |                           |
| Constant Hot (EM) / Dimming : Red |                           |
| Extra Hot / Dimming : Blue        |                           |
| Extra Hot / Dimming : Orange      |                           |

**WARNING:** Ground fixture in accordance with local and national electrical codes. Failure to do so may result in serious personal injury. Fixture Installations should ONLY be done by a qualified licensed electrical professional.

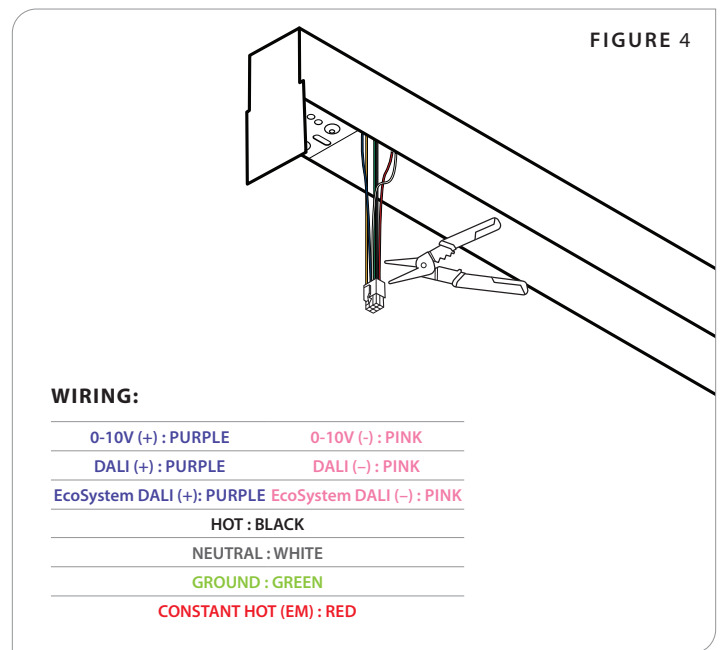
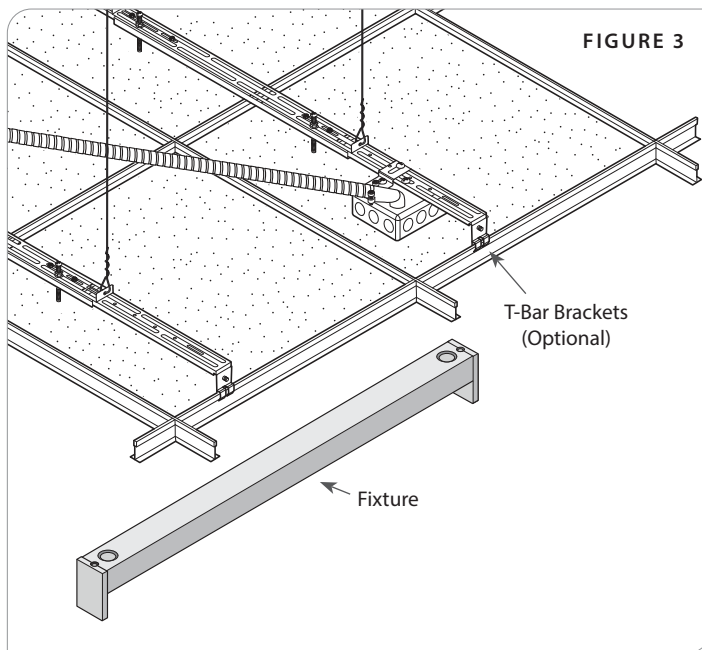
### X1, X6 (T-BAR)



#### CONTINUOUS ROWS

REFER TO PAGE 3 FOR OPTIONAL T-BAR MOUNTING RAIL ASSEMBLY

1. Unscrew LED tray from body and remove the LED tray by unplugging the LED lead wire disconnects on first fixture, remove LED Tray (figure 2, page 4).
2. Cut lead end of the wire harness and strip wires. Make electrical connections (figure 4).
3. Remove reflector on all subsequent fixtures (intermediates and ends).
  - Install joiner on all intermediate fixtures.
  - Install finish plate on right end of end fixtures, push till it snaps in.
4. Join fixture by sliding left hand end onto joiner of previously installed fixture and secure to structure. Continue this until all fixtures in the row are installed
5. Plug circuit assembly together for wiring rest of row. If fixture has internal EM driver, **DO NOT** plug the EM driver connectors until power has been applied to the row.
6. Re-install reflectors. Ensure no wires are pinched between trays and housing to avoid electrical and alignment issues.
7. Re-install lenses.

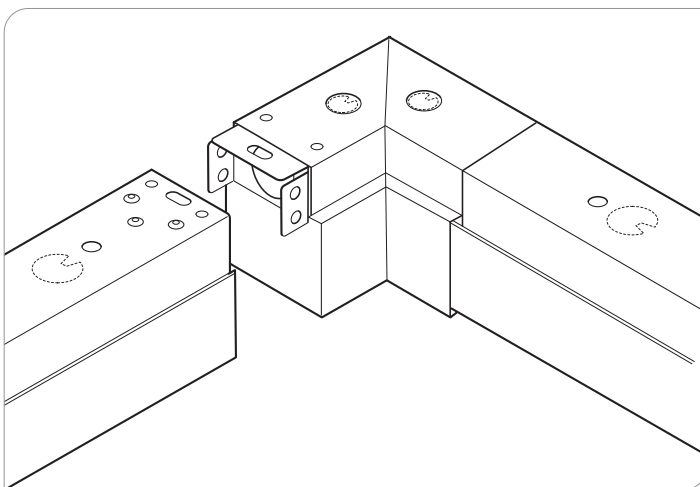
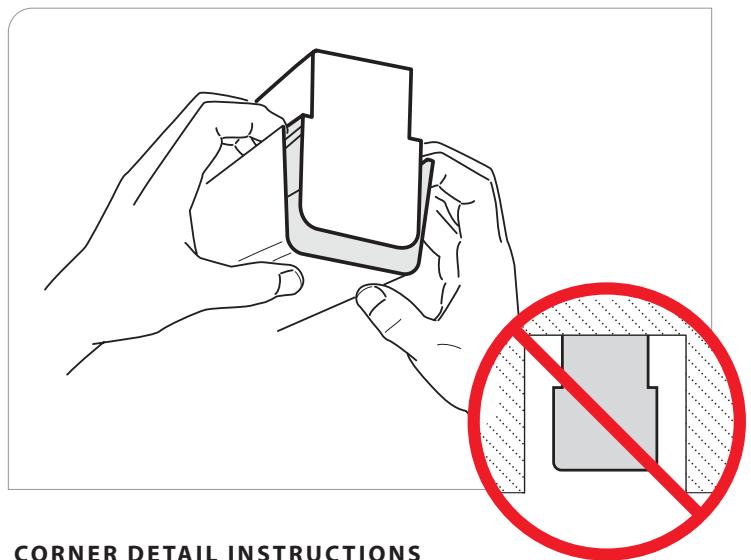
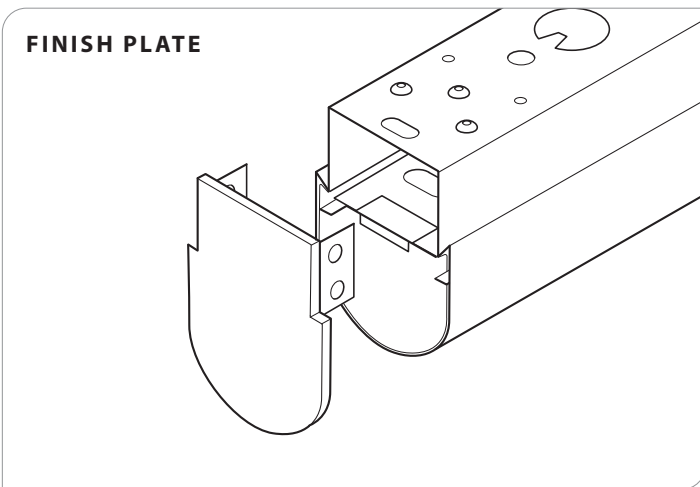
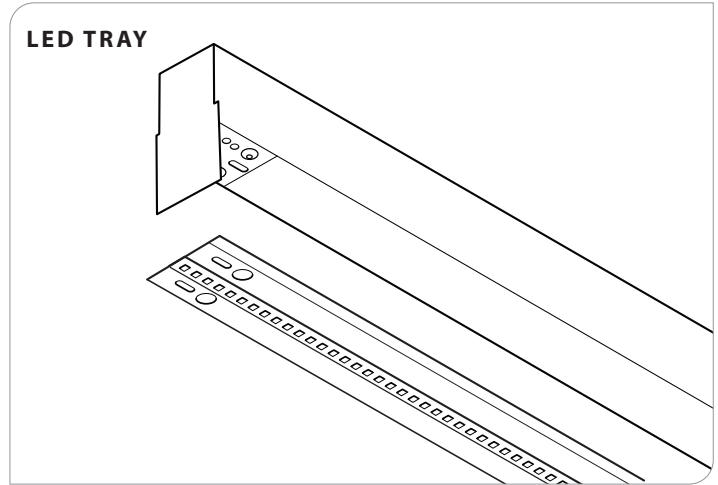
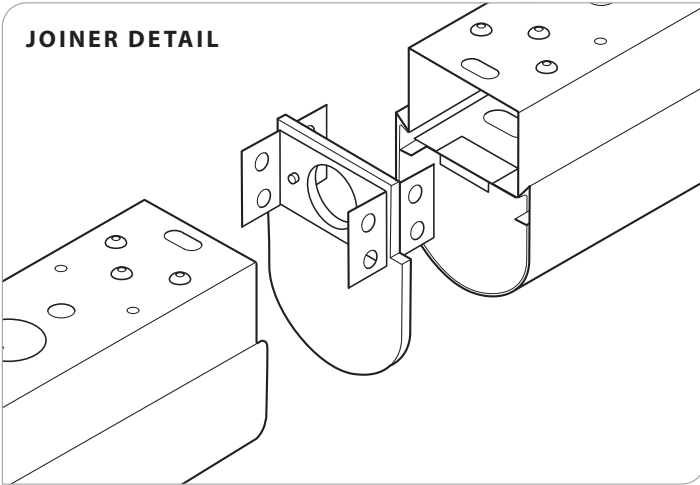


**WARNING:** Ground fixture in accordance with local and national electrical codes. Failure to do so may result in serious personal injury. Fixture Installations should ONLY be done by a qualified licensed electrical professional.



**INSTALLATION INSTRUCTIONS**

**X1, X6 (T-BAR)**



**CORNER DETAIL INSTRUCTIONS**

1. Run circuit assembly quick connect from adjoining fixture into one end of corner box and out the other end.
2. Snap both legs of corner box into adjoining fixtures.
3. Snap-on bottom corner box cover.

**WARNING:** Ground fixture in accordance with local and national electrical codes. Failure to do so may result in serious personal injury. Fixture Installations should ONLY be done by a qualified licensed electrical professional.