

T-Bar (X1) | DCCAX

Adjustable Dual Feed Cord/Cable Assembly

INSTALLATION INSTRUCTIONS



PARTS LIST

PART	PART NO.	DESCRIPTION	QTY	
A	100-00004-08	I.D.S. Clip (X1)	1	
	100-00003-08	I.D.S. 95 Clip (X2, X6)	1	
B	100-00091-08	A.T Clip (X1, X2, X6)	2	
C	100-00114-14	1/4-20 x 3/4 Truss Head Screw		
METAL STRAIN RELIEF:				
D	100-00262-14	Metal Strain Relief (3-4 Wires)	4	
	100-00264-14	Metal Strain Relief (5-6 Wires)	4	
E	100-00239-14	Brass Knurled Nut	2	
F	100-00284-14	Brass Nipple	2	
G	65392	5 1/2" Ø Canopy (3 Holes)	1	
BUSHING:				
H	100-00316-14	BLACK 100-00319-14	WHITE 100-00320-14	2
K	100-00358-14	100-00320-14	Cord (3-4 Wires)	
	100-00356-14	100-00322-14	Cord (5-6 Wires)	
I	100-00321-14	100-00318-14	Universal	
SJT CORD 300V 18 GA:				
J	100-00956-09	BLACK 100-00023-09	WHITE 100-00024-09	2
	100-00025-09	100-00024-09	4 Wires	
	100-00933-09	100-00912-09	5 Wires	
	100-00317-09	100-01002-09	6 Wires	
SUPPORT CABLE:				
L	100-00039-08	53"		
	100-00085-08	100"	Support Cable Assembly with Attachments	1
	100-00042-08	200"		

WARNING: Ground fixture in accordance with local and national electrical codes. Failure to do so may result in serious personal injury. Fixture Installations should ONLY be done by a qualified licensed electrical professional.

T-Bar (X1) | DCCAX

Adjustable Dual Feed Cord/Cable Assembly

INSTALLATION INSTRUCTIONS



PRUDENTIAL LTG.

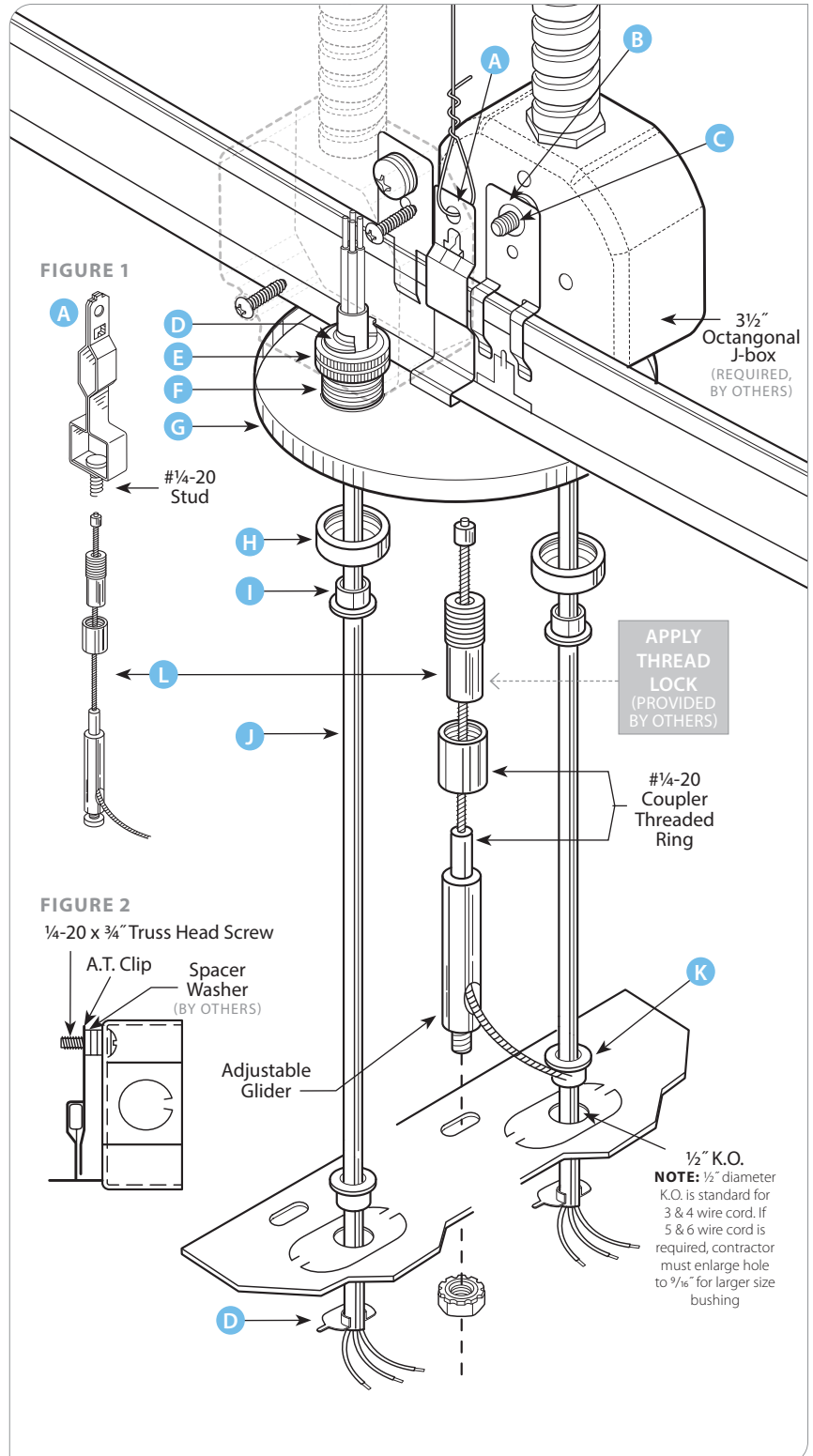
PRULITE.COM 213.746.0360

INSTALLATION

- Place the provided $\frac{1}{4}$ -20 stud into square opening on the bottom of I.D.S. Clip (A) and snap the two halves together (See Figure 1).
- Position I.D.S. Clip on ceiling grid at required location. Place A.T. Clip (B) onto the ceiling grid and slide it against the I.D.S. Clip. Place the provided $\frac{1}{4}$ -20 x $\frac{3}{4}$ " Truss Head Screw (C) through a $3\frac{1}{2}$ " octagonal J-Box, then place spacer washers accordingly (if needed), and secure it to the A.T. Clip (See Figure 2).
- Repeat step 1 and 2 for the installation of the second, $3\frac{1}{2}$ " J-Box.
- Bring Building power into the first J-box and the Emergency power into the second J-box, then strip wires necessary for connection.
- Fasten the Brass Knurled Nut (E) onto the Brass Nipple (F), then insert into the 3-Holes Canopy (G). Next, Snap the Universal Bushing (H) into the Threaded Bushing (I) and secure it at the end of the Brass Nipple and set it aside.
- Cut SJT cord to required length and run one end of the SJT Cord through a Threaded and Universal Bushing, then through the Brass Nipple and secure the SJT cord with a Metal Strain Relief. Prudential provides 1' additional cord per feed drop. For example, 53" aircraft cable gets 5' cord; 8' aircraft cable gets 9' cord; etc. Once completed, make all necessary connections to the Power in the J-Box.
- Repeat step 5 & 6 for the second J-box.
- Lift Canopy so the $\frac{1}{4}$ -20 x $\frac{3}{4}$ " stud of the I.D.S. Clip passes through the Canopy center hole. Then secure it with $\frac{1}{4}$ " Coupler Threaded Ring of the Support Cable Kit (L). Apply a small amount of thread lock to coupler threaded area.
- Remove $\frac{1}{2}$ " KO from fixture. Insert the other end of the SJT cord through the Cord Bushing (K), then press the Cord Bushing and SJT cord through the $\frac{1}{2}$ " dia. hole of fixture and secure it with a Metal Strain Relief (D) from the inside of fixture. For a 5 or 6 wire cord, contractor must enlarge holes to $\frac{9}{16}$ " diameter for larger size bushing.
- Repeat step 9 for the second J-box.

NOTE: Canopy will accommodate $3\frac{1}{2}$ " octagonal electrical box. Electrical box must be attached to A.T. clip. Refer to NEC 370-16 for maximum electrical box fill. Clamp connector and electrical box provided by other.

CAUTION: Do not remove crimp from cable. Crimps are factory pressed onto cable for maximum strength. Prudential Lighting will not be responsible for damage or injuries which occur due to cable/crimp alterations. If different cable lengths are required, contact Prudential Lighting immediately.



WARNING: Ground fixture in accordance with local and national electrical codes. Failure to do so may result in serious personal injury. Fixture Installations should ONLY be done by a qualified licensed electrical professional.