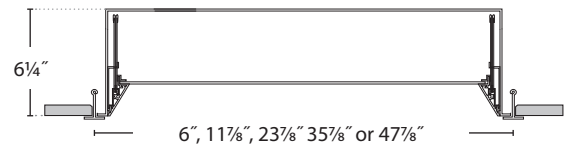


# P9200 | Recessed



PRUDENTIAL LTG.

PRULITE.COM 213.746.0360



### Our classic square 'skylight'.

A 2" deep regressed skylight troffer.  
Perfect partner to our P3600 square pendant.

**P9224-LED35-HO-WA**  
7915 Delivered Lumens  
103 Watts  
77 Lm/W

|               |    | LO   | MO   | SO   | HO    |
|---------------|----|------|------|------|-------|
| <b>P9214:</b> | lm | 2350 | 2900 | 3200 | 4275  |
|               | w  | 24   | 30   | 34   | 46    |
| <b>P9222:</b> | lm | 2150 | 2550 | 3100 | 3500  |
|               | w  | 21   | 25   | 31   | 36    |
| <b>P9224:</b> | lm | 4250 | 5100 | 5800 | 7900  |
|               | w  | 42   | 50   | 57   | 77    |
| <b>P9233:</b> | lm | 3900 | 4650 | 5175 | 6250  |
|               | w  | 37   | 45   | 53   | 65    |
| <b>P9244:</b> | lm | 7250 | 8600 | 9900 | 11500 |
|               | w  | 70   | 85   | 100  | 120   |

SMART SPECS



Lumen output may vary +/- 5%  
3500K used for lm/ft estimates above  
4000K +2% If, 3000K -2%, 2700K -4%  
-10% LLF for 90 CRI (4K, 3500K and 3K)

| SERIES                      | LED COLOR                 | OUTPUT   | SHIELDING           | FRAME STYLE                | CIRCUITING              | VOLTAGE   | CEILING SYSTEMS  | DRIVERS  | OPTIONS   |
|-----------------------------|---------------------------|--|---------------------|----------------------------|-------------------------|---|--|--|---|
|                             |                           |  | WA                  | -                          | SC                      |   |  |  |   |
| P9204<br>6' x 4'            | LED27<br>2700K<br>(90CRI) | LO Low   | WA<br>White Acrylic | JW<br>- YGW<br>Gloss White | SC<br>Single<br>Circuit | UNV<br>(120-277)  | X1* T-Bar Exposed  | ND Non-Dimming   | EMHE CA T20   |
| P9214<br>1' x 4'            | LED3<br>3000K             | MO<br>Medium   |                     | - TMW<br>Matte White       |                         | 347<br>(Emergency<br>battery<br>requires a<br>Step Down<br>transformer) | X3B Hard Ceiling<br>(Mount to studs/brackets)  | DM01 0-10v, 1% Dimming<br>(Standard)   | Emergency<br>Battery<br>(14, 22: 700<br>delivered lumens,<br>24, 33, 44: 800<br>delivered lumens) |
| P9222<br>2' x 2'            | LED35<br>3500K            | SO<br>Standard   |                     | JB<br>- YBB<br>Gloss Black |                         |   | X4B Hard Ceiling<br>(Mount to structure above)   | LDE1 Lutron Hi-lume<br>1% EcoSystem LED<br>(Soft fade on, fade-to-black dimming) | CP Chicago<br>Plenum  |
| P9224<br>2' x 4'            | LED4<br>4000K             | HO High  |                     | - YBK<br>Matte Black       |                         |   | X5B* T-Bar<br>(Concealed)  | ECO 1% 0-10v, EldoLED<br>(Logarithmic dimming std)                               |   |
| P9225<br>2' x 5'            | LED3-90<br>90CRI          | PROG<br>Program-<br>mable Light<br>Output<br>(Specify desired<br>lumens or watts<br>per fixture) |                     |                            |                         |   | X8B* Armstrong<br>Interlude XL Grid<br>System Compatible<br>(Consult factory for slot<br>grid) | ECDA 1% DALI, EldoLED<br>(Logarithmic dimming std)                               |   |
| P9233<br>3' x 3'            | LED35-90<br>90CRI         |  |                     |                            |                         |   |  | SOLO 0.1% 0-10v, EldoLED<br>(Dim-to-dark, Logarithmic dimming std)               |   |
| P9244<br>4' x 4'<br>Housing | LED4-90<br>90CRI          |  |                     |                            |                         |   |  | SODA 0.1% DALI, EldoLED<br>(Dim-to-dark, Logarithmic dimming std)                |   |



## PHOTOMETRICS

### HIGH OUTPUT:

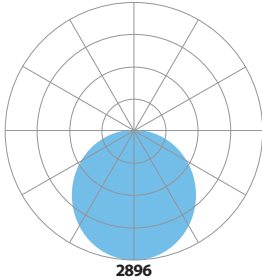
#### P9224-LED35-HO-WA

7915 Delivered Lumens

103 Watts

77 Lm/W

Test #L091503401



### Zonal Lumen Summary:

0-90 = 100%

| Vertical Angle | 0°   | 22.25° | 45°  | 67.5° | 90°  |
|----------------|------|--------|------|-------|------|
| 0°             | 2896 | 2896   | 2896 | 2896  | 2896 |
| 5°             | 2877 | 2878   | 2881 | 2883  | 2885 |
| 15°            | 2772 | 2772   | 2773 | 2772  | 2772 |
| 25°            | 2570 | 2570   | 2868 | 2556  | 2551 |
| 35°            | 2277 | 2279   | 2266 | 2241  | 2227 |
| 45°            | 1898 | 1894   | 1873 | 1839  | 1824 |
| 55°            | 1461 | 1449   | 1414 | 1387  | 1370 |
| 65°            | 1015 | 992    | 955  | 930   | 917  |
| 75°            | 528  | 500    | 465  | 443   | 435  |
| 85°            | 104  | 88     | 66   | 55    | 54   |
| 90°            | 0    | 0      | 0    | 0     | 0    |

## LUMEN MAINTENANCE

Designed to last with cool running mid-power LEDs projected to maintain 90% (L90) of their initial output for 100,000 hours (at HO), and L70 exceeding 150,000 hours.

### LED SYSTEM

LED modules and drivers are field replaceable.

### PROG

(OPTIONAL)

Programmable light output. Specify desired lumens or watts per fixture.

### LABELS

CSA and ETL damp labeled and I.B.E.W. manufactured.

### ELECTRICAL

Must specify LED dimming controls. LED fixtures have constant current driver(s) with less than 20% THD when loaded to a minimum of 60%. Drivers sink a maximum of 6mA per driver. DM01 LED drivers are 0-10V dimmable and are compatible with most 0-10V wall slide dimmers and direct 0-10V analog signal dimmers.

## CONSTRUCTION

**Housing** Die-formed 20-gauge steel, >20% PC recycled, 100% recyclable.

**Lens** Acrylic, 100% recyclable.

**Finish** YGW (Gloss White) is Standard

**Weight**

|                     |                      |
|---------------------|----------------------|
| <b>P9204:</b> 11lbs | <b>P9225:</b> 51lbs  |
| <b>P9214:</b> 18lbs | <b>P9233:</b> 51lbs  |
| <b>P9222:</b> 27lbs | <b>P9244S:</b> 78lbs |
| <b>P9224:</b> 61lbs |                      |

### MOUNTING

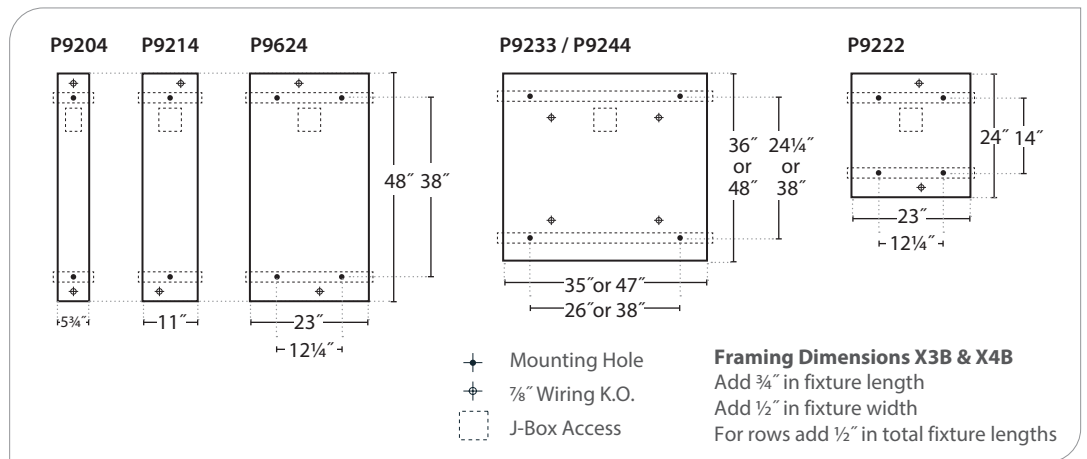
Recessed mounted into t-bar or hard ceiling applications.

### WARRANTY

Single-source, 5 year limited warranty covers standard components and construction.



MOUNTING LOCATIONS



CEILING SYSTEMS

