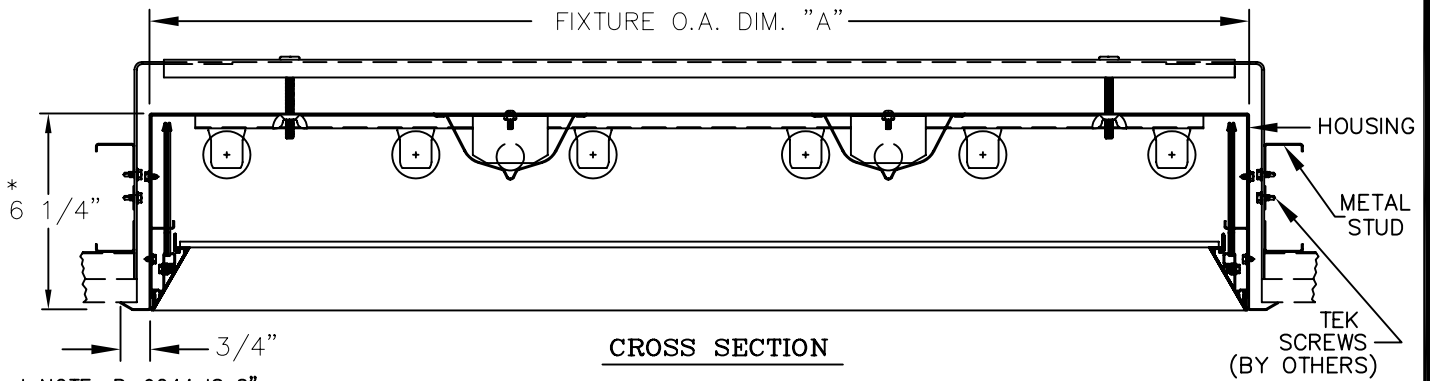


P9200 HARD CEILING (X3B) INSTALLATION INSTRUCTIONS

WARNING:

GROUND FIXTURE IN ACCORDANCE WITH LOCAL AND NATIONAL ELECTRICAL CODES. FAILURE TO DO SO MAY RESULT IN SERIOUS PERSONAL INJURY.



CROSS SECTION

* NOTE: P-9244 IS 8".

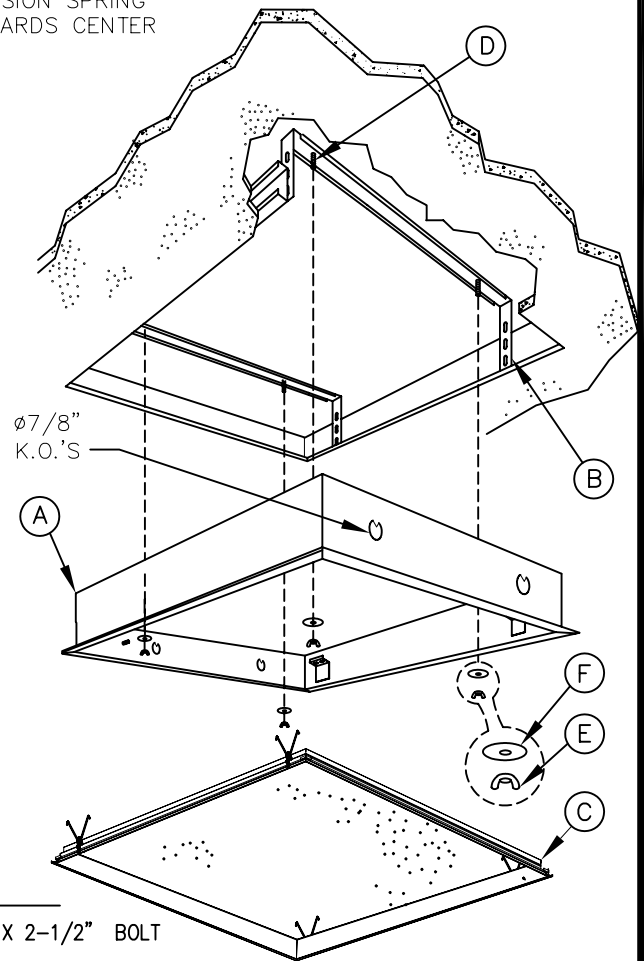
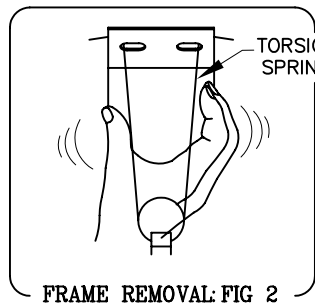
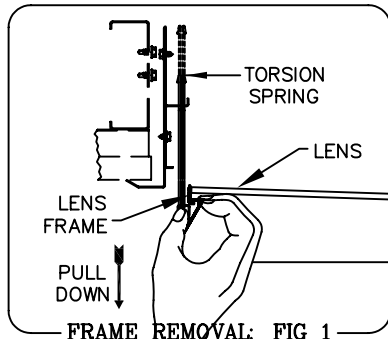
GENERAL NOTES:

1. ROUGH-IN CEILING TO ACCOMMODATE FIXTURE PER DIMENSIONS GIVEN (SEE CHART).
2. SCREW MOUNTING BRACKETS ONTO METAL STUDS OR CEILING JOIST (SEE DIM. "D").

FIXTURE MOUNTING

- 1- REMOVE THE LENS FRAME FROM SQUARE HOUSING BY PULLING FRAME AWAY FROM HOUSING. WHEN LENS FRAME STOPS AGAINST TORSION SPRING BRACKET, RELEASE TORSION SPRINGS BY HAND PRESSING TOWARDS CENTER OF BRACKET. FRAME WILL DISENGAGE. (SEE FIGURES 1 & 2).
- 2- REMOVE KNOCK OUTS FROM TOP/SIDE OF HOUSING AND RAISE SQUARE HOUSING UPWARD INTO ROUGHED IN OPENING.
- 3- SECURE HOUSING TO BRACKETS AND MAKE ALL WIRING CONNECTIONS. REPLACE LENS FRAME WHEN COMPLETE.

ROUGH-IN CHART				
FIXTURE	DIM. "A"	DIM. "B"	DIM. "C"	DIM. "D"
9222	22 7/8"	23 9/16"	24 3/4"	12 3/4"
9233	34 7/8"	35 9/16"	36 3/4"	26" SQ.
9244	46 7/8"	47 9/16"	48 3/4"	38" SQ.



PICTORIAL VIEW

- (A) MODULAR HOUSING
- (B) MOUNTING BRACKET
- (C) LENS FRAME
- (D) 1/4-20 X 2-1/2" BOLT
- (E) 1/4 - 20 WING NUT
- (F) 1/4" FENDER WASHER



PRUDENTIAL LTG . WWW.PRULITE.COM

1774 EAST 21ST STREET L.A. CA 90058
TEL. (213)746-0360 FAX (213)746-8838

DRAWN BY: G. ROMO
DATE: 6/12/08
CHK. DATE:

DWG. No. 42166

DISK No. ZD3
REV. A