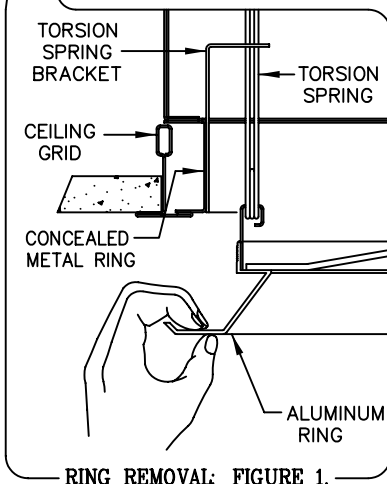
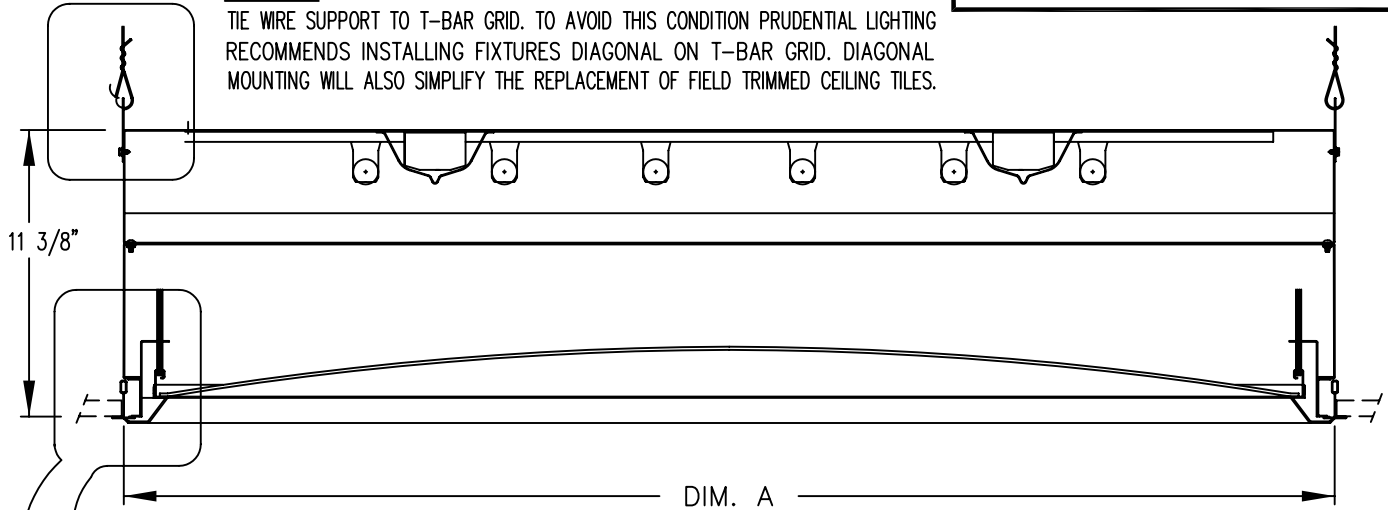


P8900 T-BAR (X1) INSTALLATION INSTRUCTIONS

WARNING: GROUND FIXTURE IN ACCORDANCE WITH LOCAL AND NATIONAL ELECTRICAL CODES. FAILURE TO DO SO MAY RESULT IN SERIOUS PERSONAL INJURY.

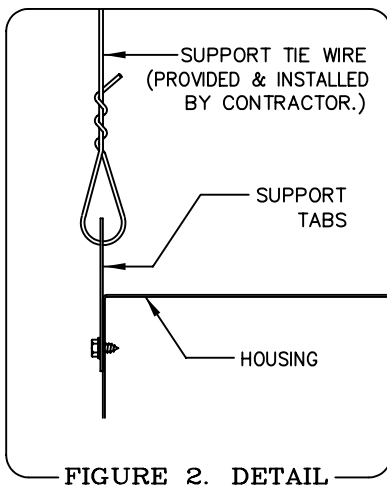
SEE FIGURE 4. **NOTE:** INSTALLING FIXTURES PARALLEL WITH T-GRID WILL LIMIT ACCESS OF THE WIRE SUPPORT TO T-BAR GRID. TO AVOID THIS CONDITION PRUDENTIAL LIGHTING RECOMMENDS INSTALLING FIXTURES DIAGONAL ON T-BAR GRID. DIAGONAL MOUNTING WILL ALSO SIMPLIFY THE REPLACEMENT OF FIELD TRIMMED CEILING TILES.



ALUMINUM RING
REMOVE THE ALUMINUM RING FROM SQUARE HOUSING BY PULLING RING AWAY FROM HOUSING. WHEN RING STOPS AGAINST TORSION SPRING BRACKET, RELEASE TORSION SPRING BY HAND PRESSING TOWARD CENTER OF BRACKET. FRAME WILL DISENGAGE FROM BRACKET. (SEE FIGURE 1.)

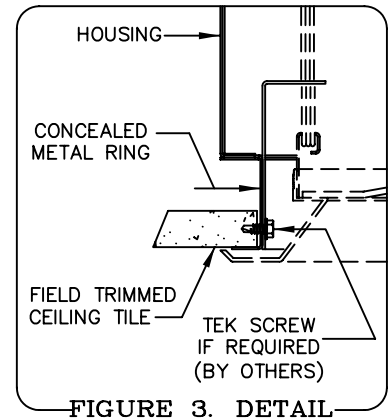
INSTALLING FIXTURES

1. REMOVE BALLAST COVERS FROM FIXTURE TO EXPOSE LEAD WIRES.
2. FASTEN SUPPORT TABS ON EACH CORNER WITH #8 SHEET METAL SCREWS PROVIDED. TIE FIXTURE SUPPORT TABS TO STRUCTURAL MEMBER. (SEE FIGURE 2 DETAIL.)
3. PLACE FIXTURE OVER TOP OF T-GRID CEILING. IN ORDER TO PROVIDE CLEARANCE FOR THE WIRE SUPPORT FROM GRID TO STRUCTURAL MEMBER, FIXTURE MUST BE TURNED DIAGONAL TO CEILING T-GRID. (SEE FIXTURE PLAN VIEWS.) 1-1/2" T-GRID SHOULD BE THE SAME HEIGHT AS THE CONCEALED METAL RING ON FIXTURE. BOTTOM FLANGE ON FIXTURE METAL RING SHOULD REST ON TOP OF T-GRID. (SEE FIGURE 1 DETAIL.) FIXTURE MUST BE TIED TO STRUCTURAL MEMBER INDEPENDENT FROM T-GRID.
4. TRIM CEILING TILES TO FIT AROUND RADIUS OF CONCEALED METAL RING. (SEE INSTALLED PICTORIAL VIEW.) TILES SHOULD REST ON TOP SURFACE OF CONCEALED METAL RING FLANGE. TEK SCREWS CAN BE USED TO DRILL THROUGH CONCEALED METAL RING AND INTO CEILING TILE IF REQUIRED. (SEE FIGURE 3 DETAIL). TEK SCREWS PROVIDED BY OTHERS.

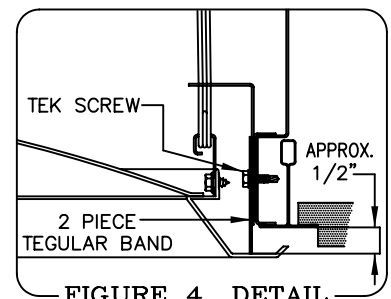


TEGULAR/SLOT GRID CEILING OPTION

FIELD INSTALLING A 2 PIECE TEGULAR BAND WILL PROVIDE A 3/8" TO 3/4" LOWER STOPPING LOCATION FOR THE EXTRUDED RING. PLACE TEGULAR BAND AGAINST INSIDE SURFACE OF CONCEALED METAL RING. BAND MUST BE APPROXIMATELY 1/2" LOWER THAN T-BAR GRID. USE 4 TEK SCREWS TO SECURE BAND IN PLACE. REPLACE CEILING TILES. REPLACE EXTRUDED



RING BY INSERTING TORSION SPRINGS INTO SLOTS ON TORSION SPRING BRACKET. IF GAPS ARE VISIBLE BETWEEN CEILING AND RING REMOVE EXTRUDED RING AND LOOSEN TEK SCREWS FOR VERTICAL ADJUSTMENT. (SEE FIGURE 4 DETAIL.)



5. MAKE ALL WIRING CONNECTIONS AND REPLACE FIXTURE BALLAST COVERS.
6. REPLACE THE ALUMINUM RING BY INSERTING TORSION SPRINGS INTO SLOTS ON TORSION SPRING BRACKET. PUSH ALUMINUM RING UPWARD UNTIL IT STOPS AGAINST CEILING SURFACE.



PRUDENTIAL LTG. WWW.PRULITE.COM

1774 EAST 21ST STREET L.A. CA 90058
TEL. (213)746-0360 FAX (213)746-8838

DRAWN BY: S.P.H. DATE: 6/10/08

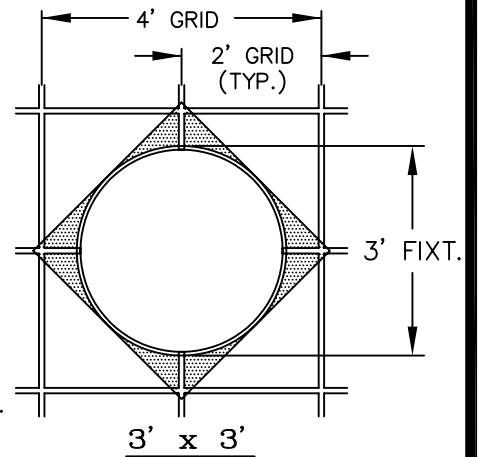
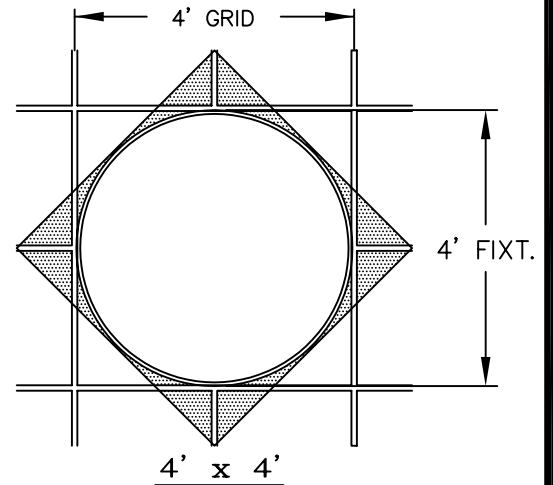
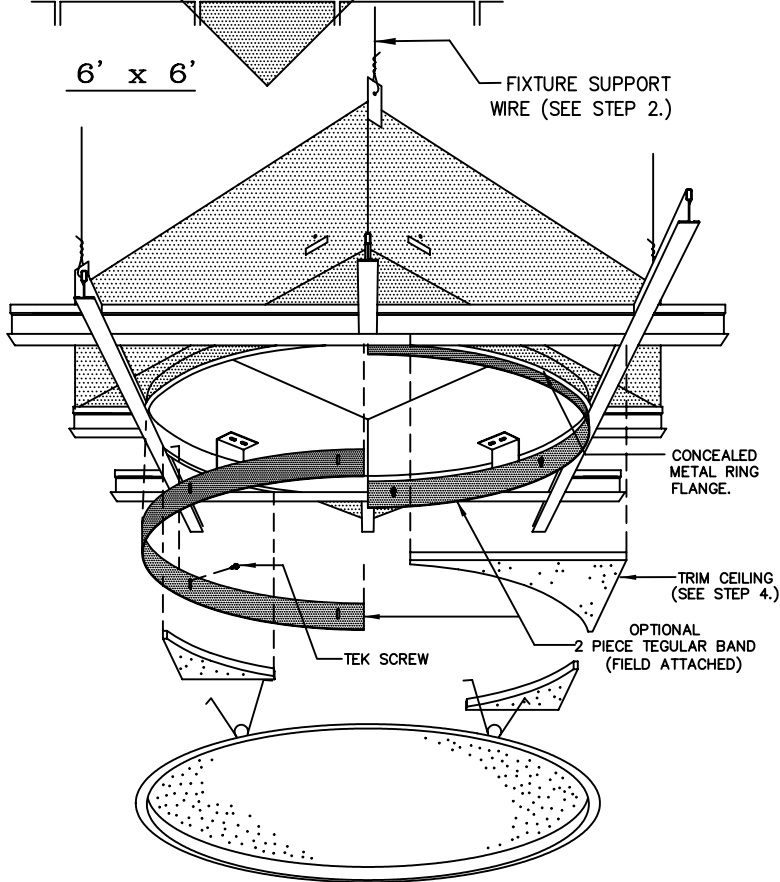
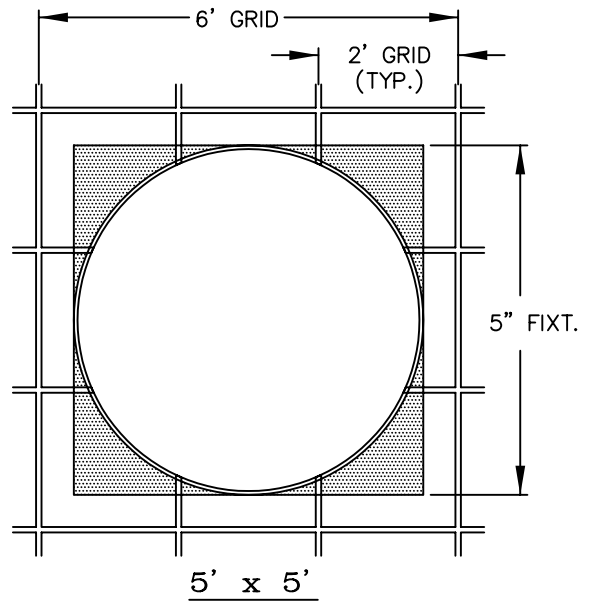
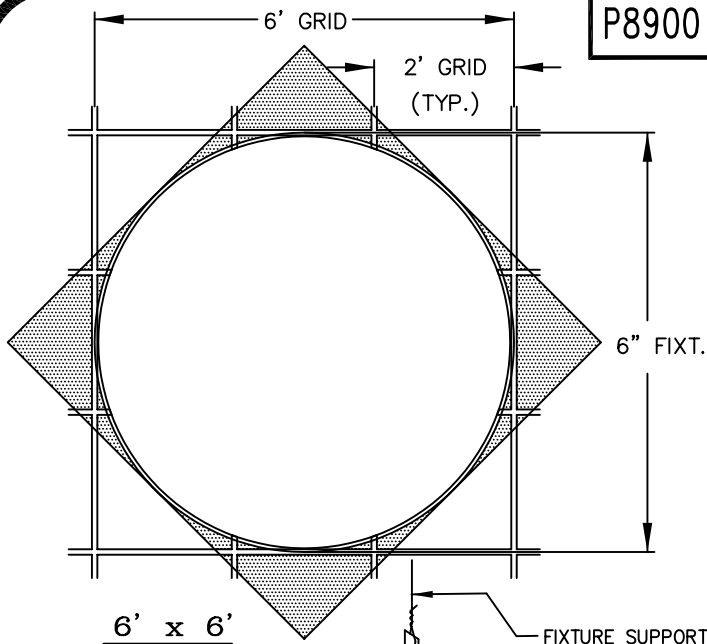
SHT. 1 OF 2

DWG. No. 42134

DISK No. ZD3

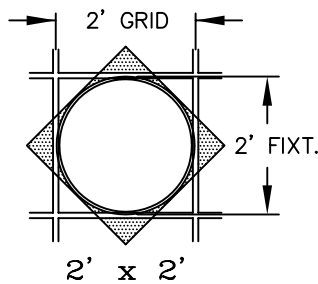
REV. B

P8900 T-BAR (X1) INSTALLATION INSTRUCTIONS



INSTALLED PICTORIAL VIEW

VARIOUS OPENING CHART			
HOUSING DIM. A	ALUMINUM RING SIZE	T-BAR GRID OPENING DIM. B	FIXTURE/GRID ORIENTATION
2' SQUARE	24"	2' X 2'	DIAGONAL
3' SQUARE	36"	4' X 4'	DIAGONAL
4' SQUARE	48"	4' X 4'	DIAGONAL
5' SQUARE	60"	6' X 6'	DIAGONAL/PARALLEL
6' SQUARE	72"	6' X 6'	DIAGONAL



**FIXTURE PLAN VIEWS
(NO SCALE)**



PRUDENTIAL LTG . WWW.PRULITE.COM

1774 EAST 21ST STREET L.A. CA 90058
TEL. (213)746-0360 FAX (213)746-8838

DRAWN BY: S.P.H. DATE: 6/10/08

SHT. 2 OF 2

DWG. No. 42134

DISK No. ZD3

REV. B