

P8604 HARD CEILING (FLANGED) INSTALLATION INSTRUCTIONS

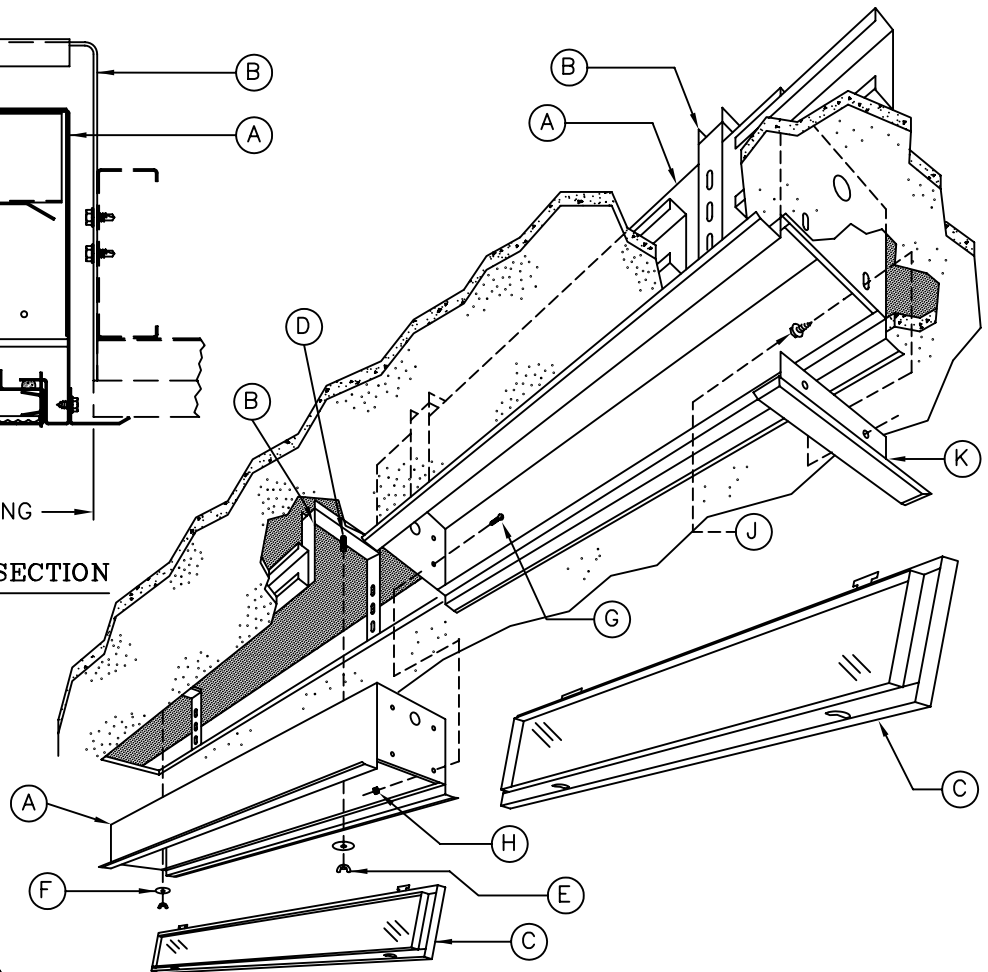
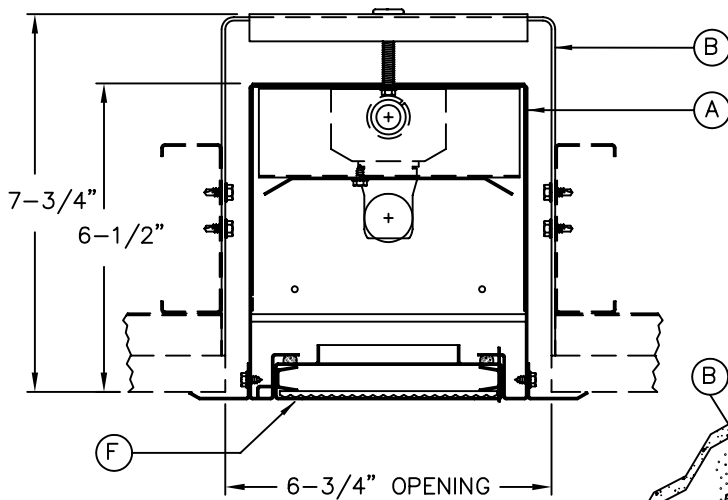
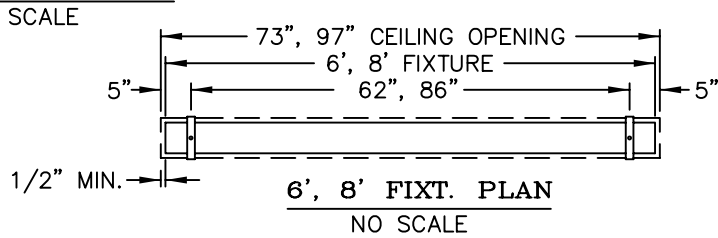
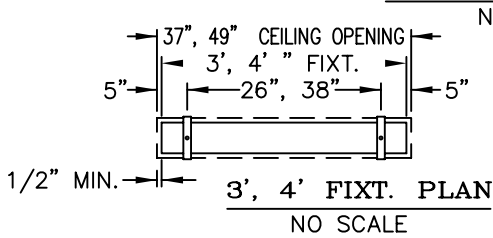
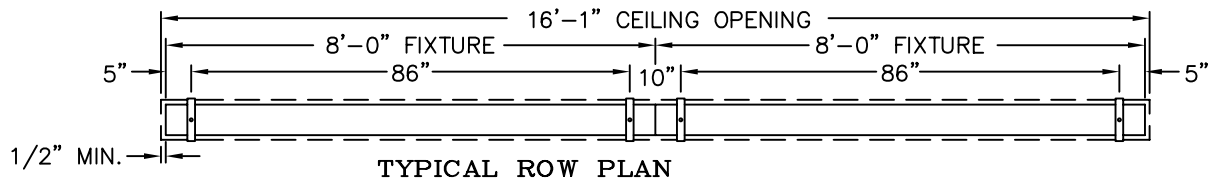
WARNING:

GROUND FIXTURE IN ACCORDANCE WITH LOCAL AND NATIONAL ELECTRICAL CODES. FAILURE TO DO SO MAY RESULT IN SERIOUS PERSONAL INJURY.

GENERAL NOTES

1- LENGTH OF CEILING OPENING IS FIXTURE ROW LENGTH PLUS 1/2" ON EACH END.

2- FOR CONTINUOUS ROW MOUNTING SEE LAYOUT OF ROWS/ PATTERNS FOR CEILING OPENING DIMENSION AND MOUNTING BRACKET LOCATION DETAILS.



PICTORIAL VIEW (STYLE C SHOWN)

- (A) MODULAR HOUSING (D) 1/4-20 X 2-1/2" BOLT (G) #8 - 32 X 1/2" SCREW (K) END TRIM FLANGE
- (B) MOUNTING BRACKET (E) 1/4 - 20 WING NUT (H) #8 - 32 HEX NUT
- (C) DOOR FRAME (F) 1/4" FENDER WASHER (J) #8 X 3/8" SHEET METAL SCREWS



1774 EAST 21ST STREET L.A. CA 90058
TEL. (213)746-0360 FAX (213)746-8838

PRUDENTIAL LTG . WWW.PRULITE.COM

DRAWN BY: S.P.H. DATE: 2/25/11

CHK. DATE

DWG. No.

42145

DISK No.
ZD3

REV.

B