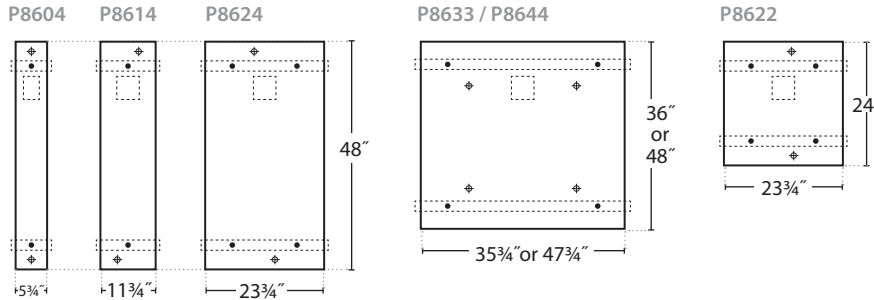




INSTALLATION INSTRUCTIONS

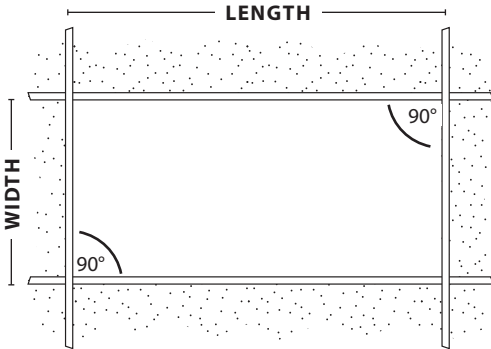
X1 (T-BAR)

GRID DIMENSIONS

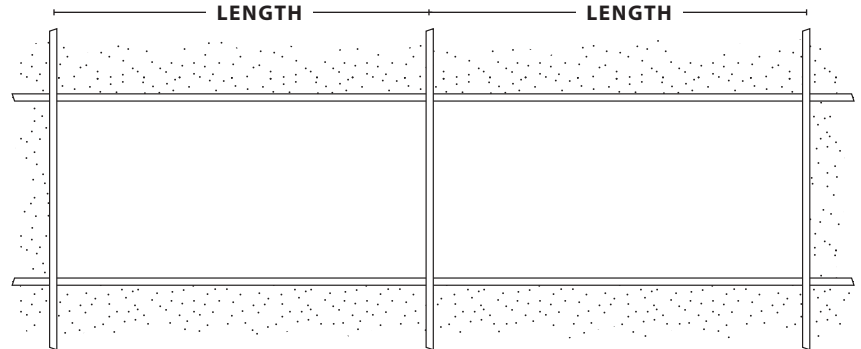


T-BAR GRID CENTERS			
MODEL #	FIX. SIZE	WIDTH	LENGTH
P8604	6" x 4'	6"	48"
P8614	1' x 4'	12"	48"
P8622	2' x 2'	24"	24"
P8624	2' x 4'	48"	48"
P8633	3' x 3'	36"	36"
P8644	4' x 4'	48"	48"

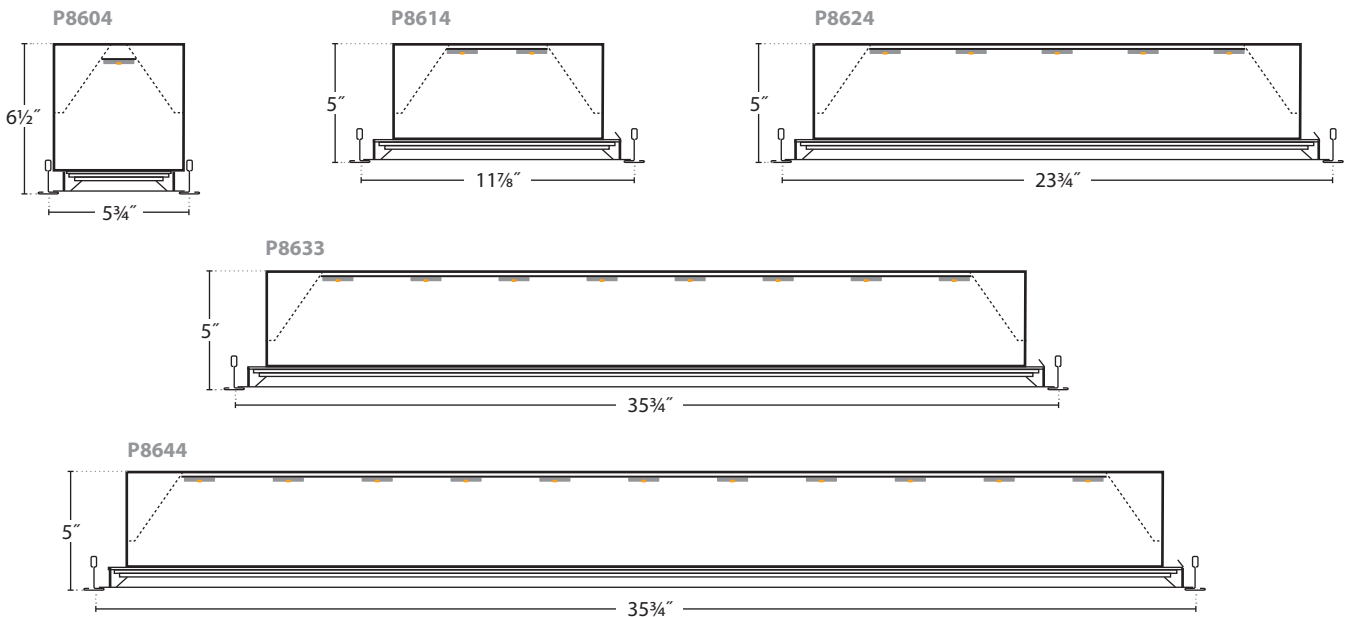
INDIVIDUAL



ROWS



CROSS SECTIONS



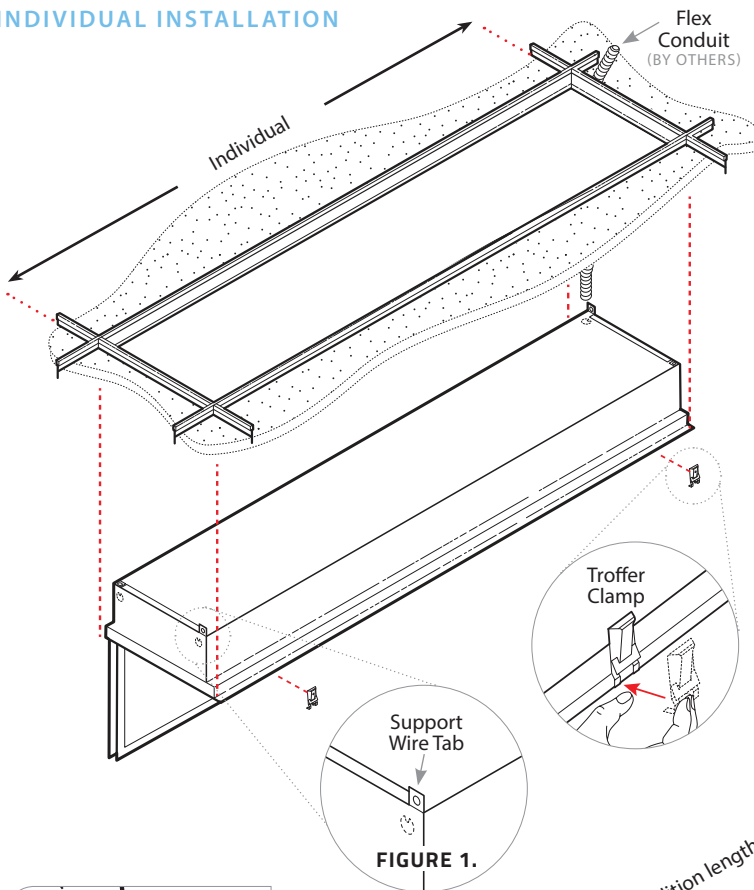
WARNING: Ground fixture in accordance with local and national electrical codes. Failure to do so may result in serious personal injury.



INSTALLATION INSTRUCTIONS

X1 (T-BAR)

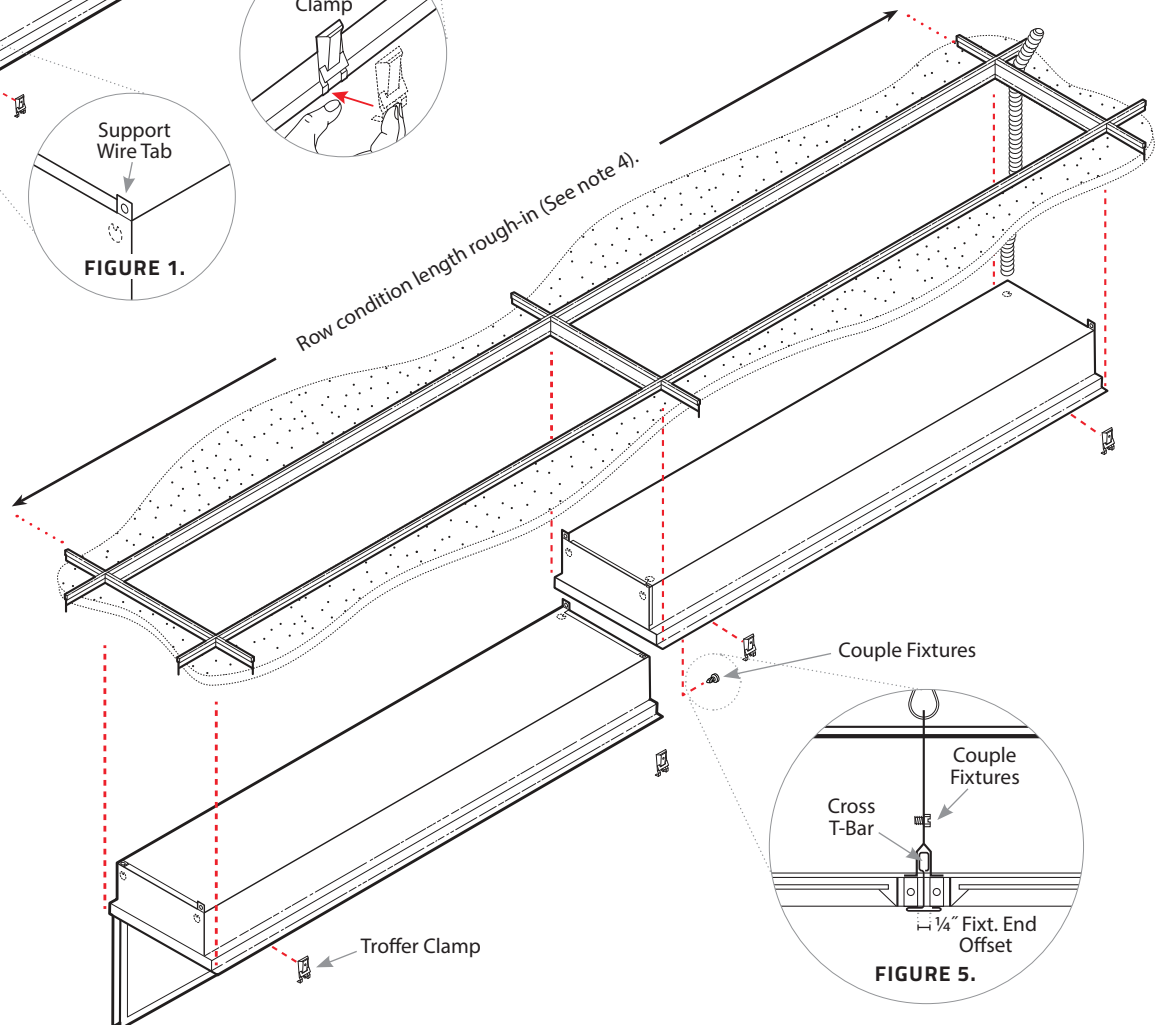
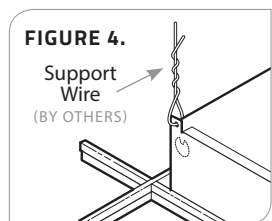
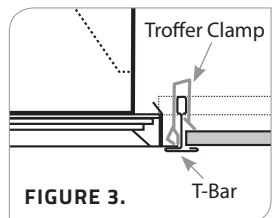
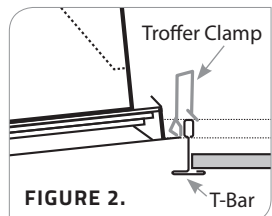
INDIVIDUAL INSTALLATION



1. See page 1. For individual fixture sizes and grid centers. Remove reflector to expose $\frac{3}{8}$ " K.O. for conduit connection. Bend support tabs on end plate to accommodate structural support wire. (See figure 1).
2. Clip two troffer clamps onto each side of fixture edge. Place fixture onto t-bar ceiling grid and snap troffer clamps over to of t-bar. (See figure 2 & 3).
3. Make electrical connections in accordance with all local and national codes.
4. Secure fixture to structural member with support wire. (See figure 4).

ROW MOUNTING

For row mounting fixtures end to end, a cross t-bar grid is required between fixture to fill $\frac{1}{4}$ " gap of fixture end offset. Mechanically couple fixtures end to end. (See figure 5).



WARNING: Ground fixture in accordance with local and national electrical codes. Failure to do so may result in serious personal injury.