



# P83 | Cove & Perimeter

## 6" Perimeter

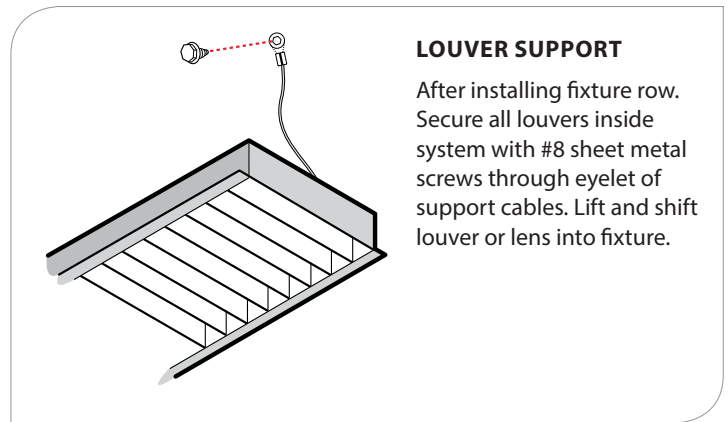
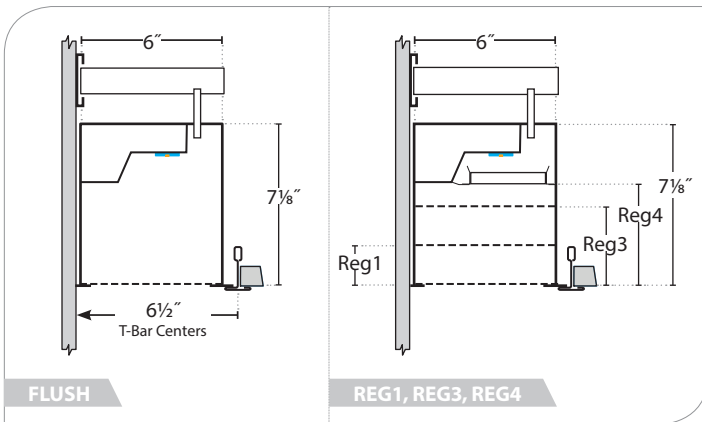


PRUDENTIAL LTG.

### INSTALLATION INSTRUCTIONS

PRULITE.COM 213.746.0360

X1/X2/X6 T-BAR



#### LOUVER SUPPORT

After installing fixture row. Secure all louvers inside system with #8 sheet metal screws through eyelet of support cables. Lift and shift louver or lens into fixture.

### MOUNTING RAIL INSTALLATION

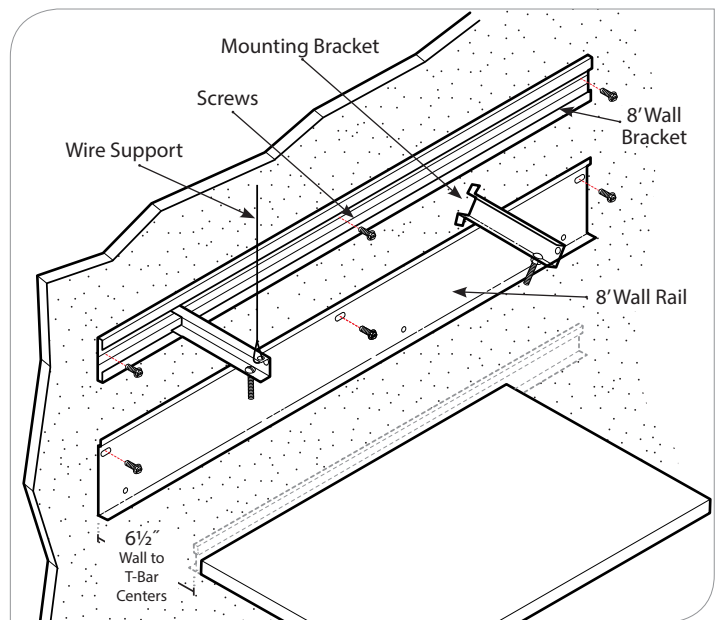
#### INSTRUCTIONS FOR T-BAR

#### NOTES:

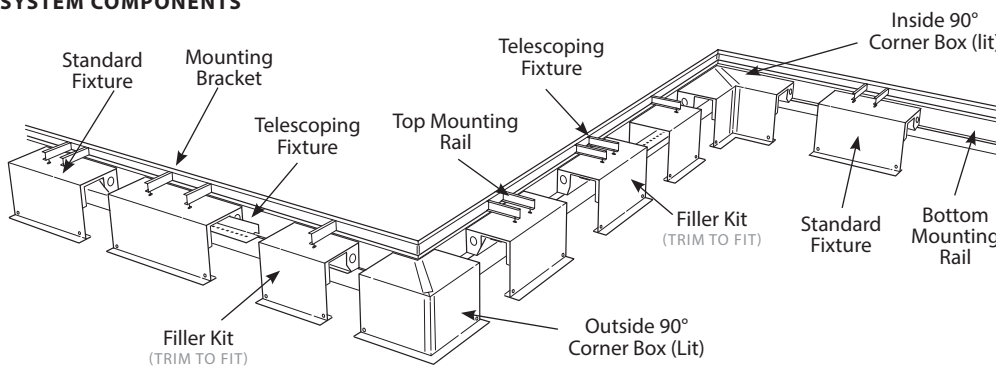
- Begin all row mounting from left to right facing wall surface.
- Ceiling is located 6 1/2" from wall to t-bar centers.

See row diagram or Prudential Ltg. plan layout (If provided). Begin all row mounting from left to right facing wall surface (see arrows).

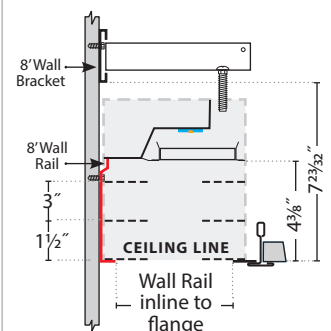
1. Facing wall, install first mounting rail 3 9/32" and wall bracket 7 23/32" above finish ceiling line to reinforced wall with screws (provided by others, see figure A). Field trim last rail in row.
2. Turn mounting brackets into place on wall rail at fixture mounting hole locations.
3. Secure with wire supports (provided by others) from mounting brackets to overhead structure support.



#### SYSTEM COMPONENTS



#### FIGURE A.



**WARNING:** Ground fixture in accordance with local and national electrical codes. Failure to do so may result in serious personal injury.



Prudential Ltg. reserves the right to change design specifications or materials without notice. Please visit prulite.com for most current data.  
© 2015 All rights reserved - All products manufactured at: Prudential Ltg. 1774 E. 21st Street, Los Angeles, CA 90058



# P83 | Cove & Perimeter

## 6" Perimeter

### INSTALLATION INSTRUCTIONS

X1/X2/X6 T-BAR



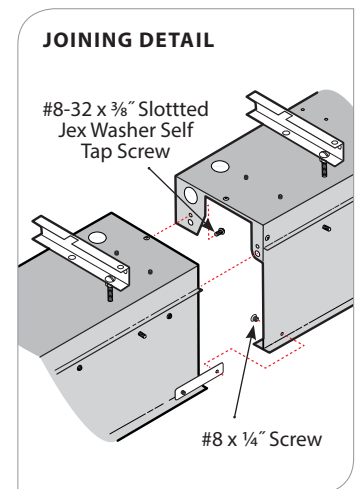
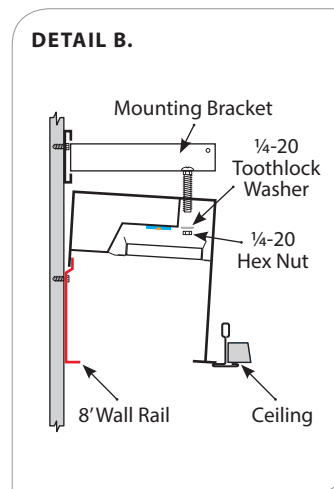
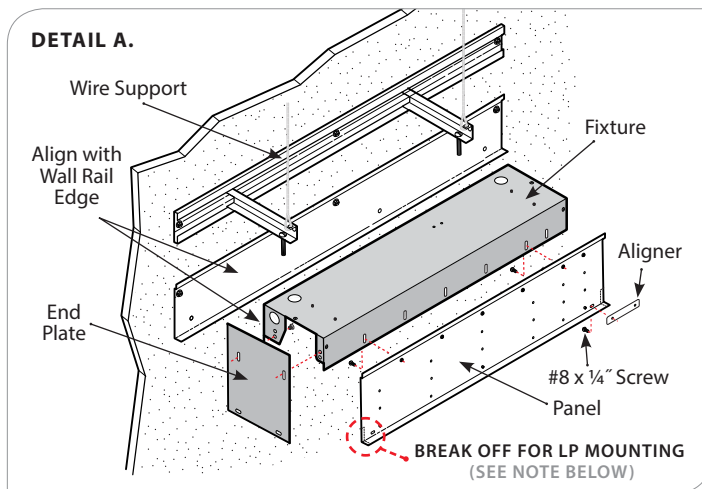
PRUDENTIAL LTG.

PRULITE.COM 213.746.0360

## FIXTURE INSTALLATION

See row diagram. Mount fixture in order shown, starting from left as you face the wall.

1. Remove LED driver cover to expose driver wire leads.
2. Pre-assemble panel to fixture, secure using (2) #8-32 x 3/8" slotted hex washer self-tapping screws (provided). Overall fixture height should be 7 1/8". (See cross section on page 1).
3. Install finish plate with (2) #8 x 1/4" screws (see detail A). Not required in wall to wall mounting.
4. Lift fixture assembly through ceiling opening and hook onto wall rail. Secure fixture to mounting bracket with toothlock washer and 1/4-20 nut (provided see detail B).
5. Use #8 Phillips head sheet metal screws to secure aligner spline to side panel seams.
6. Repeat #1, 2, 3 and 4 to install remaining fixtures and corners in row. Secure fixtures end to end with #8-32 x 1/2" slotted hex washer self-tapping screws (provided, see joining detail).



**NOTE:** For Light Pocket mounting, remove break off at score line on side panel at beginning and end of row. **DO NOT** remove break off at fixture seams

**WARNING:** Ground fixture in accordance with local and national electrical codes. Failure to do so may result in serious personal injury.



Prudential Ltg. reserves the right to change design specifications or materials without notice. Please visit prulite.com for most current data.  
© 2015 All rights reserved – All products manufactured at: Prudential Ltg. 1774 E. 21st Street, Los Angeles, CA 90058



# P83 | Cove & Perimeter

## 6" Perimeter

### INSTALLATION INSTRUCTIONS

X1/X2/X6 T-BAR

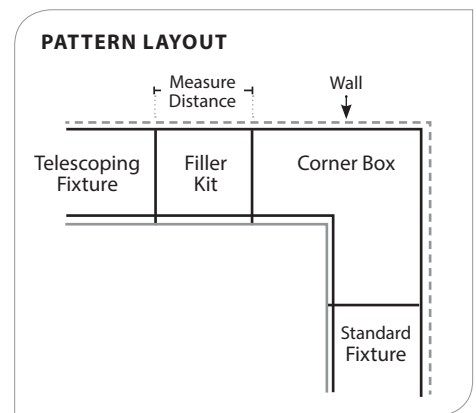
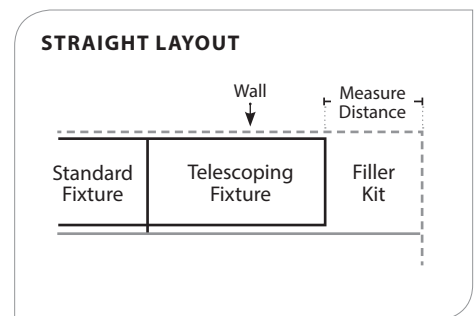
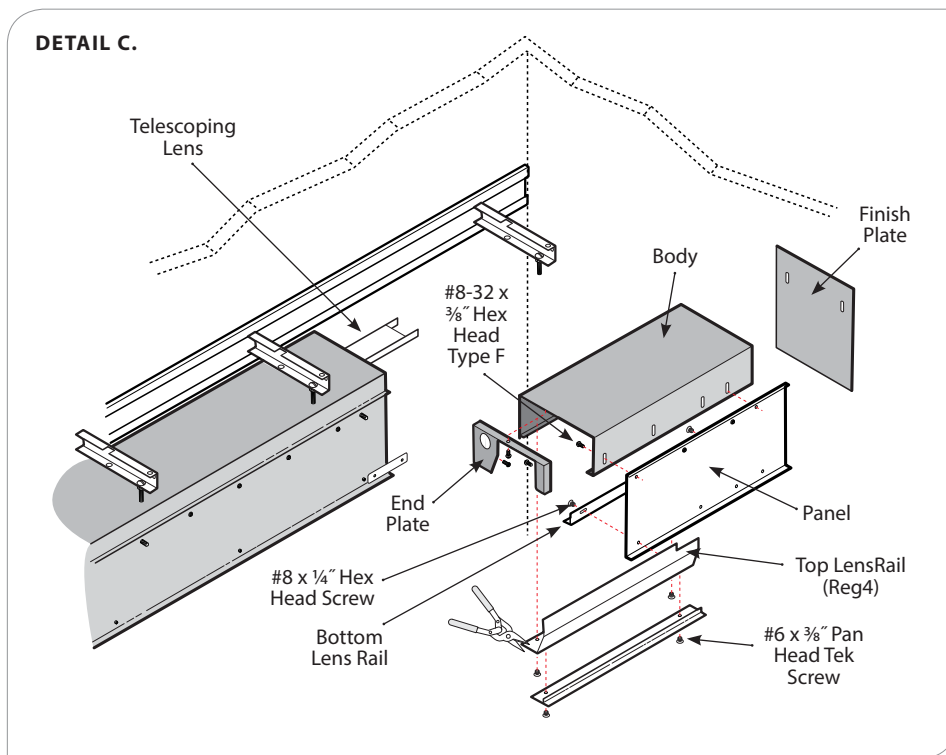


PRUDENTIAL LTG.

PRULITE.COM 213.746.0360

## FILLER KIT INSTALLATION

1. After installing last telescoping fixture in row, measure distance between fixture and wall or corner box (See layouts below).
2. Trim filler kit parts to required length and assemble (See detail C).
3. If required, pre-assemble bottom lens rail to panel, secure using (2) #8 x 1/4" hex head screws. (Mount rail to correct height) and top lens rail (Reg4) to cover using (2) #8 x 1/4" hex head screws (Provided).
4. Assemble end plate into body, secure using (3) #6 x 3/8" pan head tek screws, pre-assembled panel to body with (2) #8-32 x 3/8" hex head type F screws, pre-assembled cover to body with (2) #8 x 1/4" hex head screws.
5. Install finish plate with (2) #8 x 1/4" screws (See detail A, on page 2). **Not required in wall to wall mounting.**
6. Lift filler kit assembly through ceiling opening and hook onto wall rail. Secure filler kit to mounting bracket with toothlock washer and 1/4-20 hex nut (Provided). Secure end to end with #8-32 x 1/2" slotted hex washer self tap screws (Provided).



**WARNING:** Ground fixture in accordance with local and national electrical codes. Failure to do so may result in serious personal injury.



Prudential Ltg. reserves the right to change design specifications or materials without notice. Please visit [prulite.com](http://prulite.com) for most current data.  
© 2015 All rights reserved – All products manufactured at: Prudential Ltg. 1774 E. 21st Street, Los Angeles, CA 90058



# P83 | Cove & Perimeter

## 6" Perimeter

### INSTALLATION INSTRUCTIONS

X1/X2/X6 T-BAR



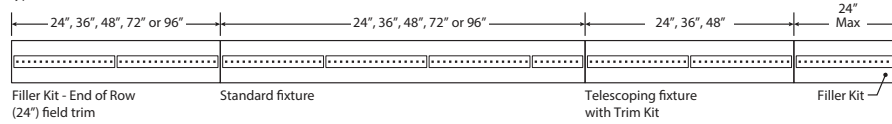
PRUDENTIAL LTG.

PRULITE.COM 213.746.0360

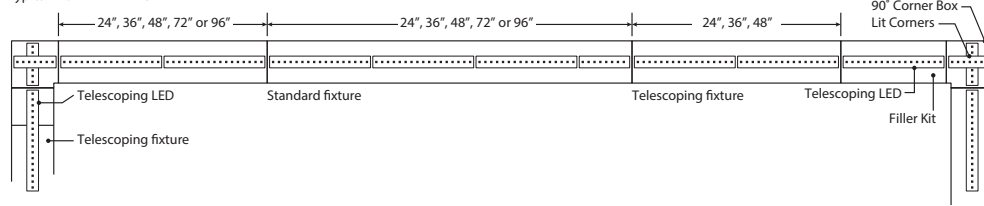
## TYPICAL ROW INSTALLATION

### LED

#### Typical LED STRAIGHT ROW



#### Typical LED PATTERN ROW

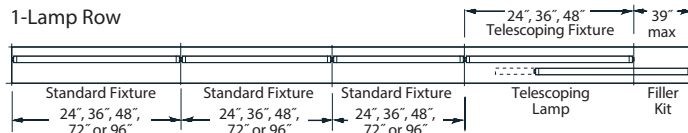


To complete row installation

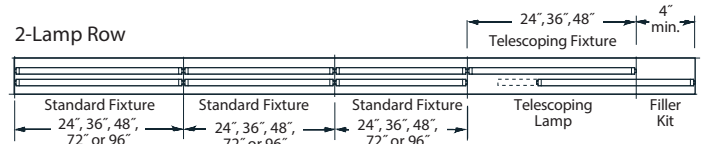
1. Reinstall cover.
2. Install lamps (*by others*).
3. Slide telescoping fixture lamp to end of row or into corner connector.
4. Install standard length louvers or diffusers into row.
5. Install corner louvers (*if required*).
6. Field cut diffusers or louvers to required length at end of row.
7. End plates are required when rows do not start or stop at wall.

### FLUORESCENT

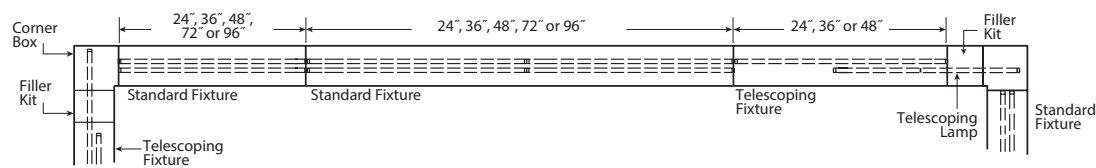
#### 1-Lamp Row



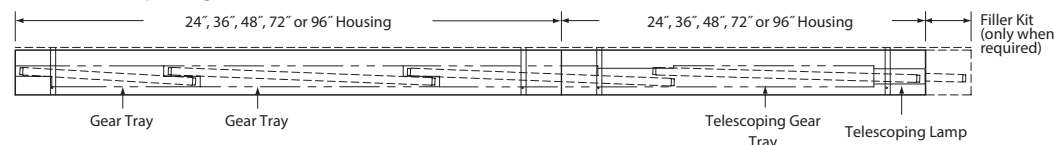
#### 2-Lamp Row



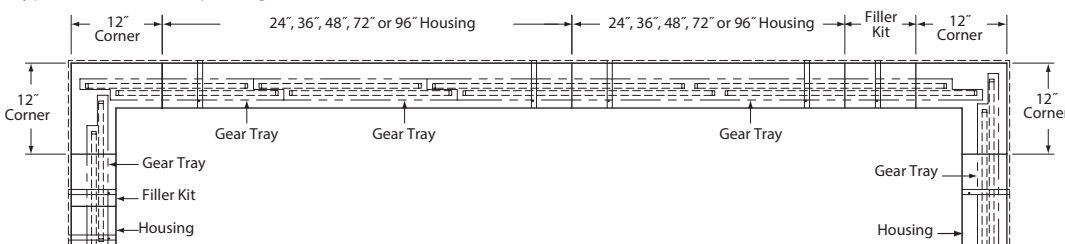
#### Typical T8 or T5/HO 2-LAMP Pattern Row



#### Typical (1) T8/T5 Lamp Straight Row



#### Typical (2) T8/T5 Lamp Straight Row



**WARNING:** Ground fixture in accordance with local and national electrical codes. Failure to do so may result in serious personal injury.



Prudential Ltg. reserves the right to change design specifications or materials without notice. Please visit [prulite.com](http://prulite.com) for most current data.  
© 2015 All rights reserved - All products manufactured at: Prudential Ltg. 1774 E. 21st Street, Los Angeles, CA 90058