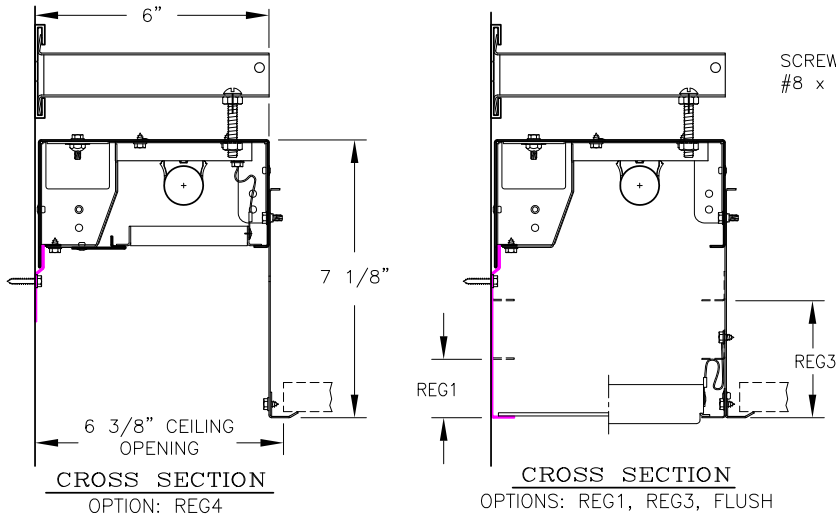


P83-X3B CEILING INSTALLATION INSTRUCTIONS

WARNING:
GROUND FIXTURE IN ACCORDANCE WITH LOCAL AND NATIONAL ELECTRICAL
CODES. FAILURE TO DO SO MAY RESULT IN SERIOUS PERSONAL INJURY.



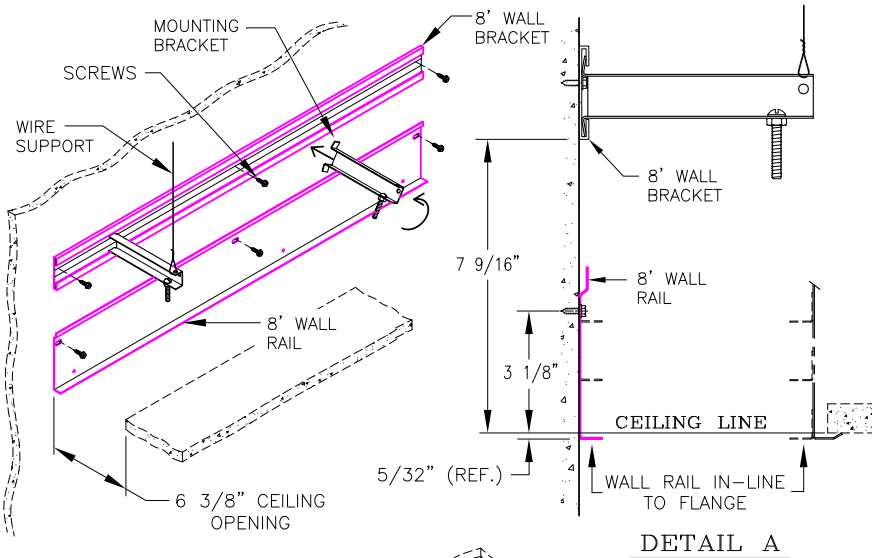
LOUVER SUPPORT:

AFTER INSTALLING FIXTURE ROW, SECURE ALL LOUVERS INSIDE SYSTEM WITH #8 SHEET METAL SCREWS THROUGH EYELET ON SUPPORT CABLES. LIFT & SHIFT LOUVER OR LENS INTO FIXTURE.

NOTES:

BEGIN ALL ROW MOUNTING FROM LEFT TO RIGHT FACING WALL SURFACE.

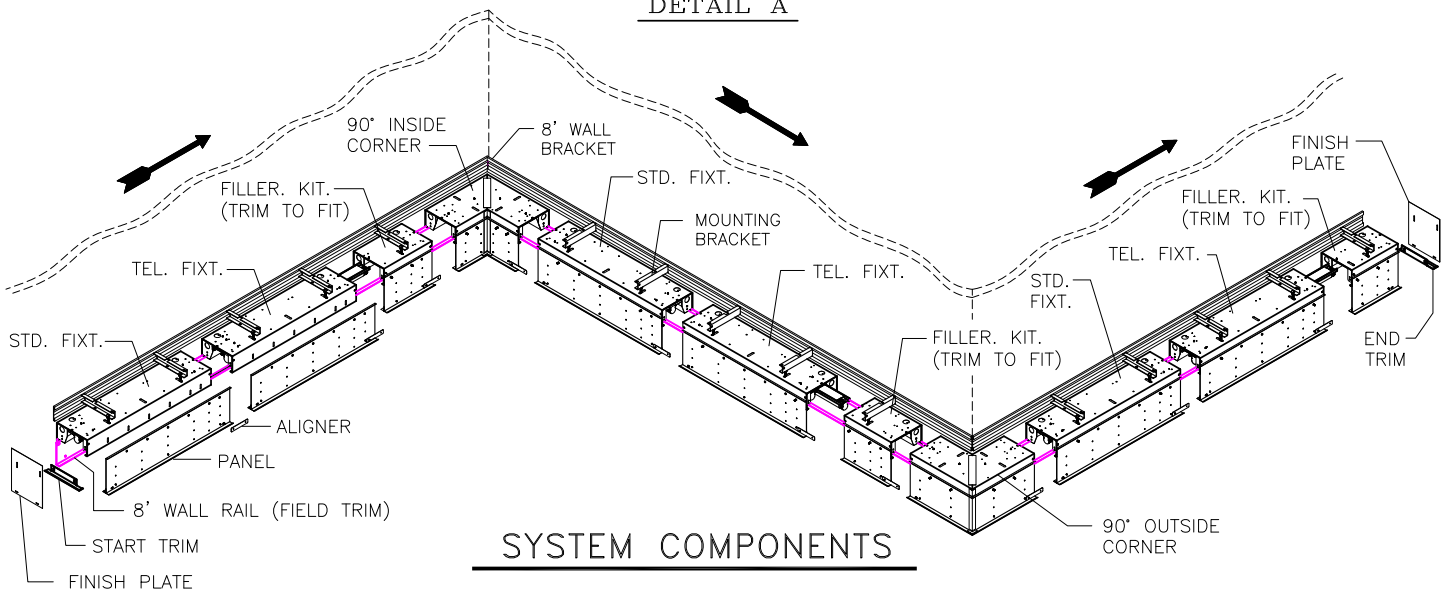
CEILING IS LOCATED 6 3/8" FROM WALL.



MOUNTING RAIL INSTALLATION

SEE ROW DIAGRAM OR PRUDENTIAL LIGHTING PLAN LAYOUT (IF PROVIDED.) BEGIN ALL ROW MOUNTING FROM LEFT TO RIGHT FACING WALL SURFACE (SEE ARROWS).

1. FACING WALL, INSTALL FIRST MOUNTING RAIL 3 1/8" AND WALL BRACKET 7 9/16" ABOVE FINISH CEILING LINE TO REINFORCED WALL WITH SCREWS (PROVIDED BY OTHERS), (SEE DETAIL A). FIELD TRIM LAST RAIL IN ROW.
2. TURN MOUNTING BRACKETS INTO PLACE ON WALL RAIL AT FIXTURE MOUNTING HOLE LOCATIONS.
3. SECURE WITH WIRE SUPPORTS (PROVIDED BY OTHERS) FROM MOUNTING BRACKETS TO OVERHEAD SUPPORT STRUCTURE.



1774 EAST 21ST STREET L.A. CA 90058
TEL. (213)746-0360 FAX (213)746-8838

PRUDENTIAL LTG. WWW.PRULITE.COM

DRAWN BY:
R. CORTEZ

DATE
2.7.14

DWG. No.

89126

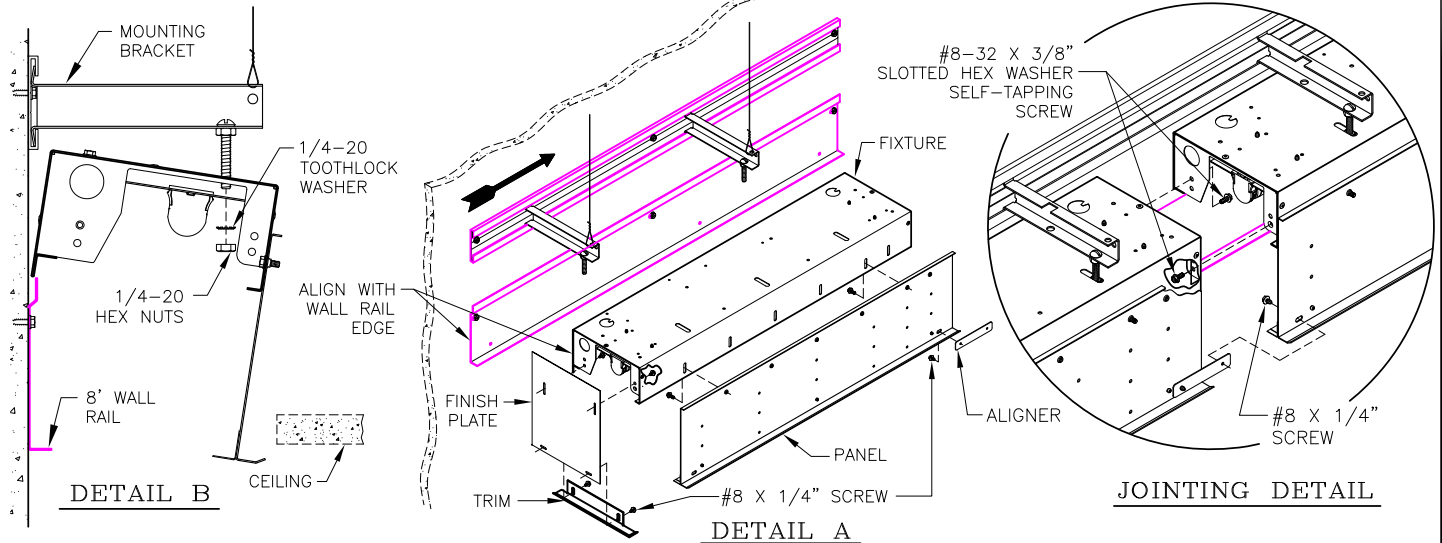
DISK No.
VAULT

CHK. DATE

REV.

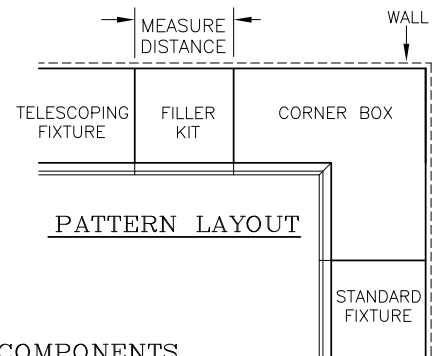
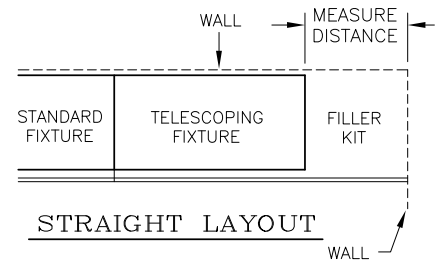
FIXTURE INSTALLATION : SEE ROW DIAGRAM, MOUNT FIXTURE IN ORDER SHOWN, STARTING FROM LEFT AS YOU FACE WALL.

1. REMOVE BALLAST COVER TO EXPOSE BALLAST WIRE LEADS.
2. PRE-ASSEMBLE PANEL TO FIXTURE, SECURE USING (2) #8-32 X 3/8" SLOTTED HEX WASHER SELF-TAPPING SCREWS (PROVIDED). OVERALL FIXTURE HEIGHT SHOULD BE 7 1/8". (SEE CROSS SECTION ON PAGE 1).
3. INSTALL FINISH PLATE AND TRIM WITH (2) #8 X 1/4" SCREWS, (SEE DETAIL A). NOT REQUIRED IN WALL TO WALL MOUNTING.
4. LIFT FIXTURE ASSEMBLY THROUGH CEILING OPENING AND HOOK ONTO WALL RAIL. SECURE FIXTURE TO MOUNTING BRACKET WITH TOOTHLOCK WASHER AND 1/4-20 HEX NUT (PROVIDED), (SEE DETAIL B).
5. USE #8 PHILLIPS HEAD SHEET METAL SCREWS TO SECURE ALIGNER SPLINE TO SIDE PANEL SEAMS.
6. REPEAT #1, 2, 3, AND 4 TO INSTALL REMAINING FIXTURES AND CORNERS IN ROW. SECURE FIXTURES END TO END WITH #8-32 X 1/2" SLOTTED HEX WASHER SELF-TAPPING SCREWS (PROVIDED). (SEE JOINTING DETAIL).



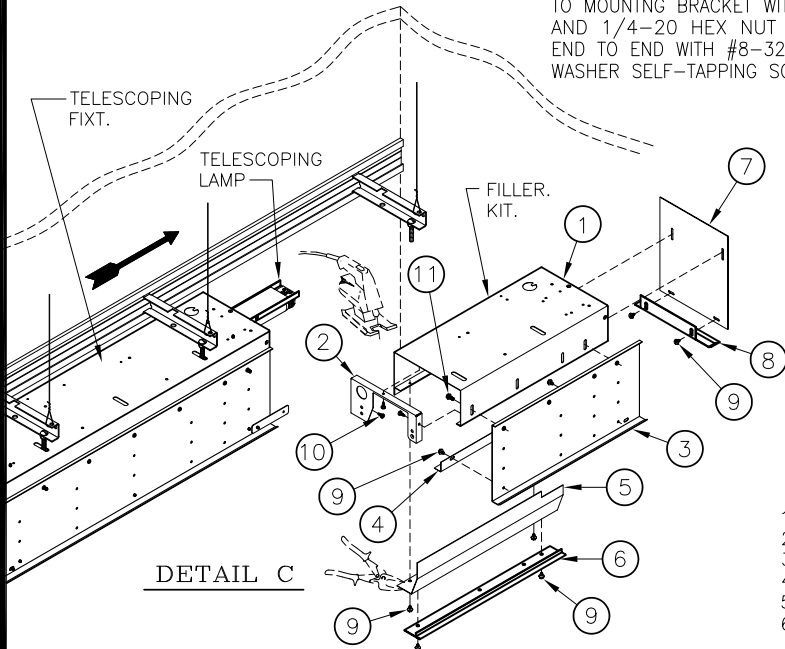
FILLER KIT INSTALLATION

1. AFTER INSTALLING LAST TELESCOPING FIXTURE IN ROW, MEASURE DISTANCE BETWEEN FIXTURE AND WALL OR CORNER BOX, (SEE LAYOUTS).
2. TRIM FILLER KIT PARTS TO REQUIRED LENGTH AND ASSEMBLE (SEE DETAIL C).
3. IF REQUIRED, PRE-ASSEMBLE BOTTOM LENS RAIL TO PANEL, SECURE USING (2) #8 X 1/4" HEX HD SCREWS, (MOUNT RAIL TO CORRECT HEIGHT) AND TOP LENS RAIL (REG4) TO COVER USING (2) #8 X 1/4" HEX HD. SCREWS (PROVIDED).
4. ASSEMBLE END PLATE INTO BODY, SECURE USING (3) #6 X 3/8" PAN HD. TEK SCREWS, PRE-ASSEMBLED PANEL TO BODY WITH (2) #8-32 X 3/8" HEX HD. TYPE F SCREWS, PRE-ASSEMBLED COVER TO BODY WITH (2) #8 X 1/4" HEX HD. SCREWS,
5. INSTALL FINISH PLATE AND TRIM WITH (2) #8 X 1/4" SCREWS, (SEE DETAIL A). NOT REQUIRED IN WALL TO WALL MOUNTING.
6. LIFT FILLER KIT ASSEMBLY THROUGH CEILING OPENING AND HOOK ONTO WALL RAIL. SECURE FILLER KIT TO MOUNTING BRACKET WITH TOOTHLOCK WASHER AND 1/4-20 HEX NUT (PROVIDED). SECURE END TO END WITH #8-32 X 1/2" SLOTTED HEX WASHER SELF-TAPPING SCREWS (PROVIDED).



FILLER KIT COMPONENTS

1. BODY
2. END PLATE
3. PANEL
4. BOTTOM LENS RAIL
5. COVER
6. TOP LENS RAIL (REG4)
7. FINISH PLATE
8. TRIM
9. #8 X 1/4" HEX HD. SCREW (13)
10. #6 X 3/8" PAN HD. TEK SCREW (3)
11. #8-32 X 3/8" HEX HD. TYPE F (2)



DETAIL C



1774 EAST 21ST STREET L.A. CA 90058
TEL. (213)746-0360 FAX (213)746-8838

PRUDENTIAL LTG. WWW.PRULITE.COM

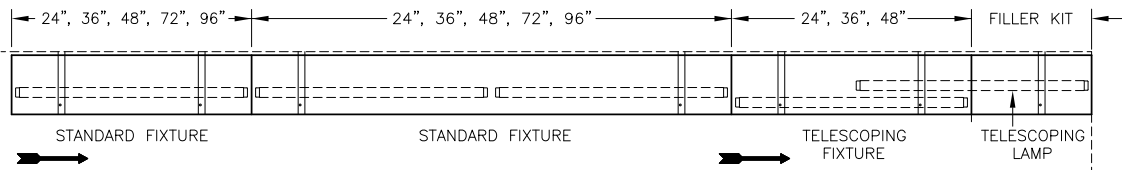
DRAWN BY: R. CORTEZ
DATE: 2.7.14

CHK. DATE

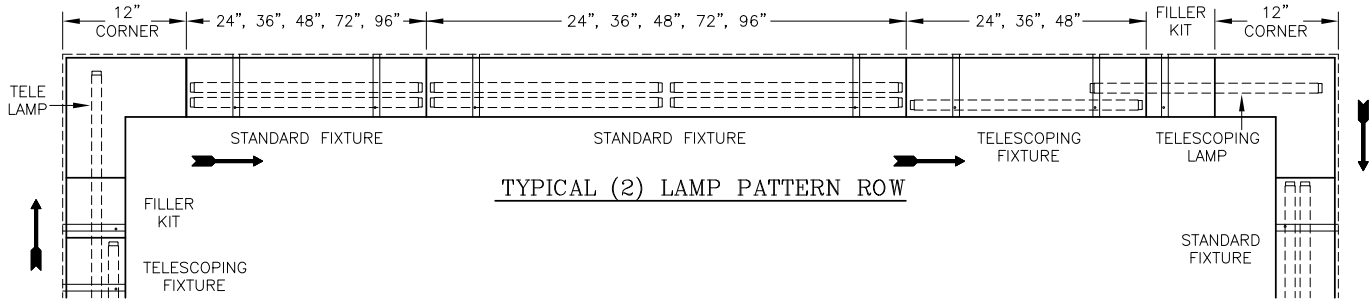
DWG. No. 89126

DISK No. VAULT
REV.

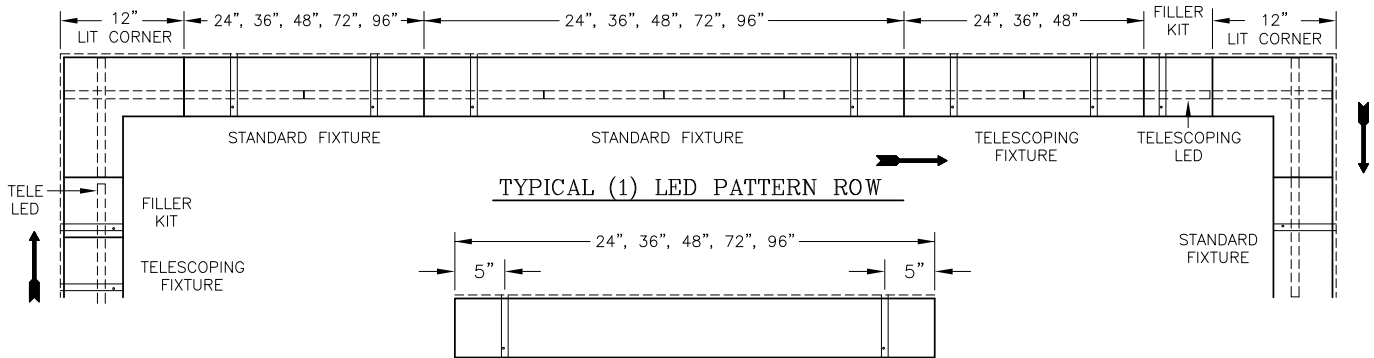
TYPICAL T5/T8/LED-X1/X3 ROW OR PATTERN PLAN



TYPICAL (1) LAMP STRAIGHT ROW



TYPICAL (2) LAMP PATTERN ROW



TYPICAL (1) LED PATTERN ROW

MOUNTING LOCATION

▲ **INSTALL FIXTURES STARTING FROM LEFT TO RIGHT. (SEE ARROW DIRECTION)**

GENERAL COMMENTS

TO COMPLETE FIXTURE ROW INSTALLATION:

1. REINSTALL COVERS.
2. INSTALL LAMPS (BY OTHERS).
3. SLIDE TELESCOPING FIXTURE LAMP TO END OF ROW, OR INTO CORNER CONNECTOR.
4. INSTALL STANDARD LENGTH LOUVERS OR DIFFUSERS INTO ROW.
5. INSTALL CORNER LOUVERS (IF REQUIRED).
6. FIELD CUT DIFFUSERS OR LOUVERS TO REQUIRED LENGTH AT END OF ROW.
7. END PLATES ARE REQUIRED WHEN ROWS DO NOT START OR STOP AT WALL.

▲ **WARNING: GROUND FIXTURE IN ACCORDANCE WITH LOCAL AND NATIONAL ELECTRICAL CODES. FAILURE TO DO SO MAY RESULT IN SERIOUS PERSONAL INJURY.**

▲ WE RESERVE THE RIGHT TO CHANGE DETAILS OF DESIGN, MATERIALS AND FINISH IN ANY WAY THAT WILL NOT ALTER INSTALLED APPEARANCE OR REDUCE FUNCTION AND PERFORMANCE.

▲ INSTALLATION MUST BE MADE IN ACCORDANCE WITH ALL LOCAL AND NATIONAL CODES.

▲ ALL HARDWARE SHIPPED IN BULK

ITEMS INCLUDED :

- ALIGNER SPLINES- (1) PER SEAM.
- SCREW- #8 X 1/4" PHILLIPS SHEET METAL SCREWS.
(2) ALIGNER SPLINE, (2) LOUVER, (2) FINISH PLATE, (2) TRIM.
- SCREW- #8-32 X 3/8" HEX HD. TYPE F (2) PER SEAM, (2) PANEL.
- MOUNTING BRACKET ASS'Y- (2) PER FIXTURE (1) PER FILLER.
- FINISH PLATE- (1) FOR START OF ROW.
- TRIM (X3)- (1) FOR START OF ROW.



1774 EAST 21ST STREET L.A. CA 90058

TEL. (213)746-0360 FAX (213)746-8838

PRUDENTIAL LTG. WWW.PRULITE.COM

DRAWN BY:
R. CORTEZ

DATE
2.7.14

DWG. No.

89126

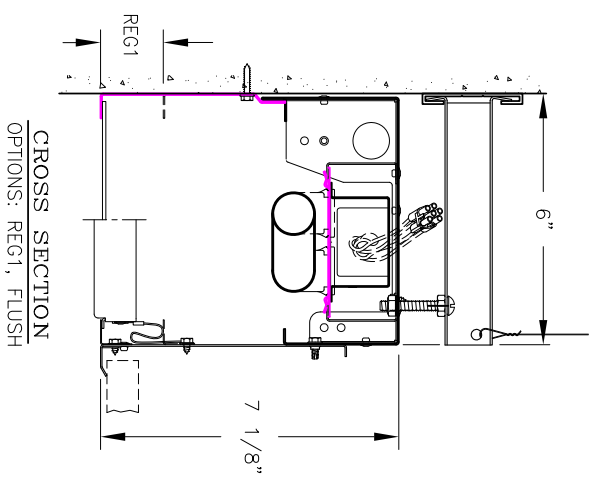
DISK No.
VAULT

REV.

CHK.

DATE

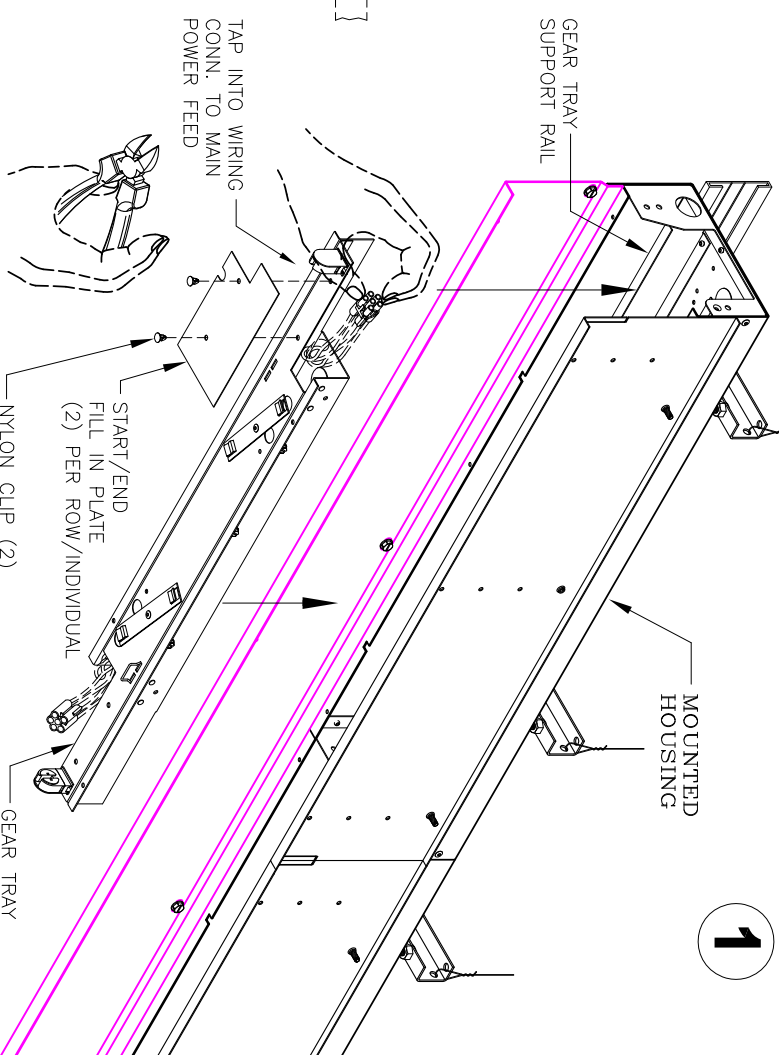
P83-T5/T8-X1/X3B STAGGERED SERIES GEAR TRAY INSTALLATION INSTRUCTIONS



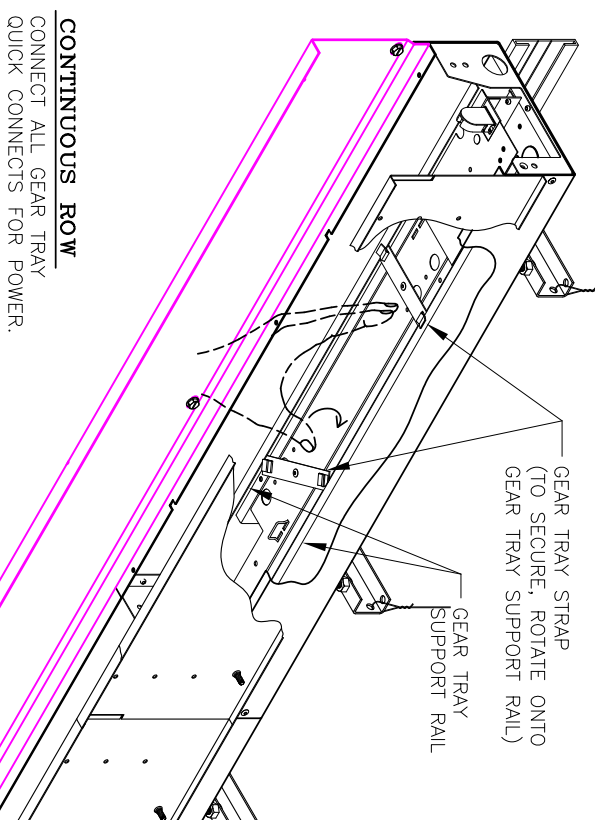
END VIEW

NOTE:
PROPERLY MOUNT HOUSING PRIOR TO INSTALLATION OF GEAR TRAYS (SEE P83-X1 OR X3B CEILING INSTALLATION INSTRUCTIONS).

INSTALL GEAR TRAYS STARTING FROM LEFT TO RIGHT FACING WALL



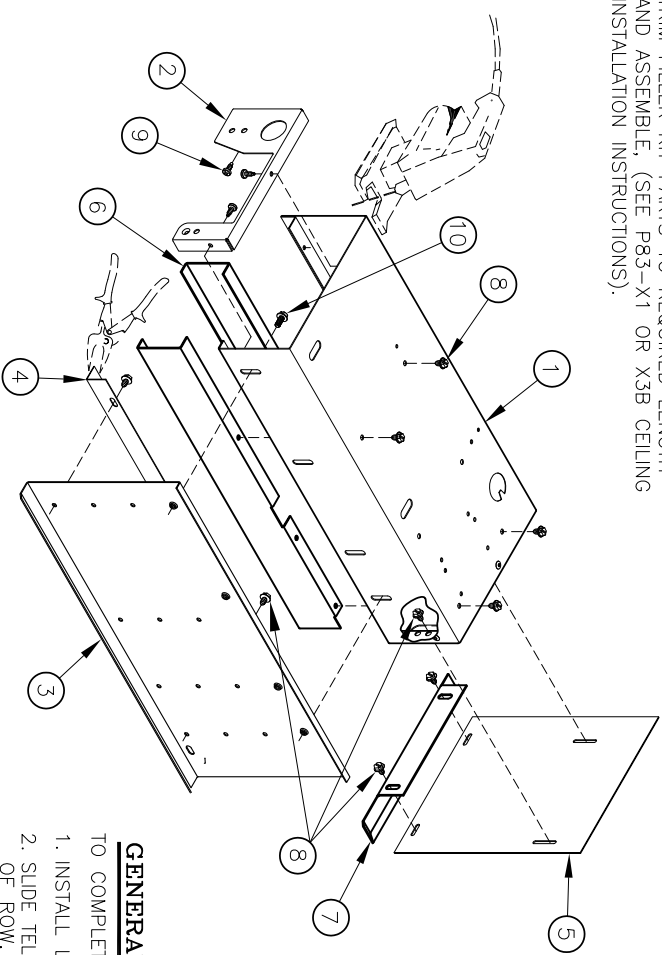
1



2

FILLER KIT ASSEMBLY

TRIM FILLER KIT PARTS TO REQUIRED LENGTH AND ASSEMBLE. (SEE P83-X1 OR X3B CEILING INSTALLATION INSTRUCTIONS).

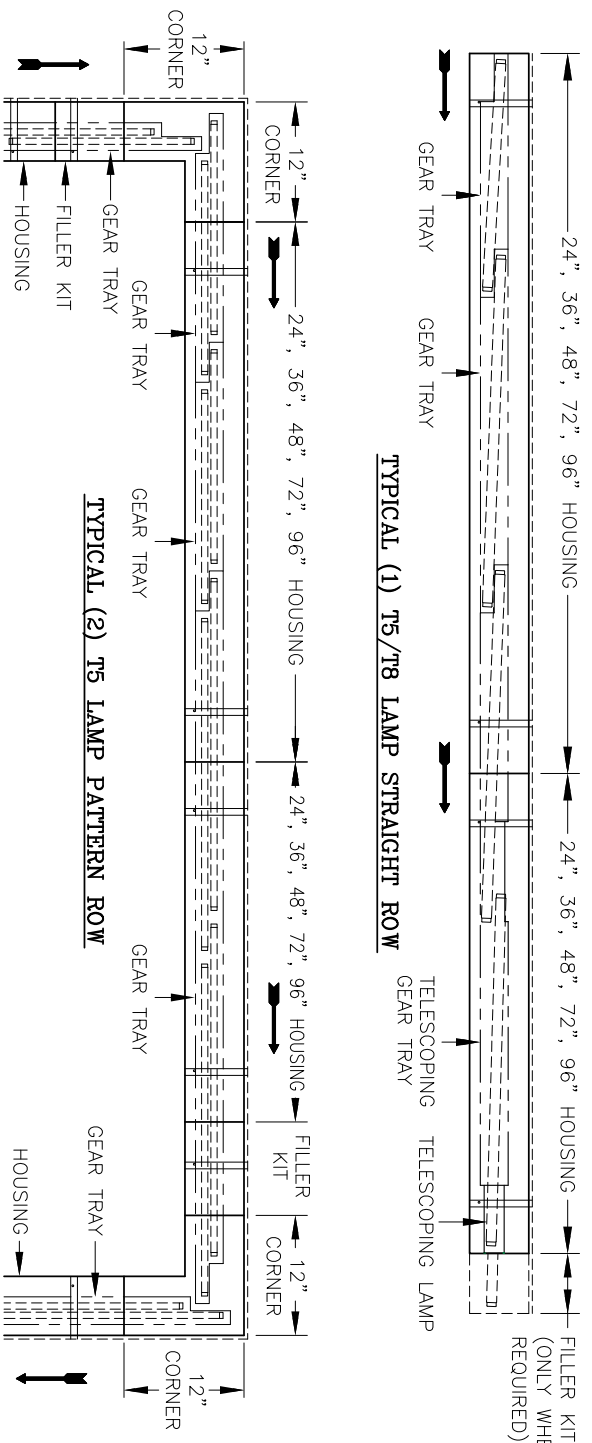


- FILLER KIT COMPONENTS**
- SUB-ASSEMBLE BODY
 - END PLATE
 - PANEL
 - BOTTOM LENS RAIL
 - FINISH PLATE (2)
 - GEAR TRAY SUPPORT RAIL (2)
 - TRIM (X3) FOR START/END OF ROW (2)
 - #8 X 1/4" HEX HD. SCREW (14)
 - #6 X 3/8" PAN HD. TEK SCREW (3)
 - #8-32 X 3/8" HEX HD. TYPE F (2)

GENERAL COMMENTS

TO COMPLETE FIXTURE ROW INSTALLATION:

- INSTALL LAMPS (BY OTHERS).
- SLIDE TELESCOPING GEAR TRAY LAMP TO END OF ROW, OR INTO CORNER CONNECTOR.
- INSTALL STANDARD LENGTH LOUVERS OR DIFFUSERS INTO ROW.
- INSTALL CORNER LOUVERS (IF REQUIRED).
- FIELD CUT DIFFUSERS OR LOUVERS TO REQUIRED LENGTH AT END OF ROW.
- END PLATES ARE REQUIRED WHEN ROWS DO NOT START OR STOP AT WALL.



WARNING: GROUND FIXTURE IN ACCORDANCE WITH LOCAL AND NATIONAL ELECTRICAL CODES. FAILURE TO DO SO MAY RESULT IN SERIOUS PERSONAL INJURY.

- WE RESERVE THE RIGHT TO CHANGE DETAILS OF DESIGN, MATERIALS AND FINISH IN ANY WAY THAT WILL NOT ALTER INSTALLED APPEARANCE OR REDUCE FUNCTION AND PERFORMANCE.
- INSTALLATION MUST BE MADE IN ACCORDANCE WITH ALL LOCAL AND NATIONAL CODES.
- ALL HARDWARE SHIPPED IN BULK

ITEMS INCLUDED :

- ALIGNER SPLINES-(1) PER PANEL SEAM.
- SCREW-#8 X 1/4" PHILLIPS SHEET METAL SCREWS REQ'D. (2) ALIGNER SPLINE, (2) LOUVER, (2) FINISH PLATE, (2) TRIM.
- SCREW-#8-32 X 3/8" HEX HD. TYPE F (2) PER SEAM, (2) PANEL.
- MOUNTING BRACKET ASS'Y-(2) PER FIXTURE, (1) PER FILLER.
- FINISH PLATE-(1) START, (1) END OF ROW (WHEN REQ'D).
- TRIM (X3)-(1) START, (1) END OF ROW (WHEN REQ'D).



PRUDENTIAL LTG.

1774 EAST 21ST STREET L.A. CA 90058
WWW.PRULITE.COM
TEL. (213)746-0360 FAX (213)746-8838

DRAWN BY: R. CORTEZ	DATE 04/9/14	DWG. No. 89606	REV. DATE
CHK.	DATE	LOCATION VAULT	REV.