

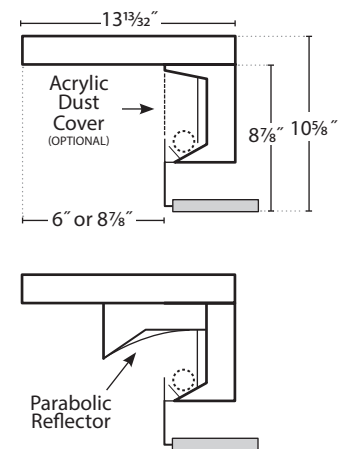
# P59 | Cove & Perimeter

## Cove-in-a-Box



Type:

Job:



**Our cove-in-a-box can ship assembled for easy installs.**

A prefabricated perimeter cove system offering an indirect wall wash effect. Using no louvers, the fixture illuminates walls while giving the ceiling the appearance of floating. Field trimmable extension kits allow for custom row lengths. Contractor-friendly shipping assembled option (ASMB), P59 becomes the ideal solution to bypass cove VE concerns.

**P-59-1T8-04-W**  
 1297 Lamp Lumens  
 3000 Delivered Lumens  
 32 Input Watts

**43%**  
 EFFICIENCY

SERIES	APERTURE	LAMP ROWS	NOMINAL LENGTH	REFLECTOR SYSTEM	VOLTAGE	CEILING SYSTEM	OPTIONS
P59	A6 6" Aperture A9 9" Aperture	1T8 1T5/HO	R____ (Row length - advise factory of row and pattern dimensions)	W White (Standard) PR Parabolic Reflector (Pushes light down the wall)	120 277 347 UNV (120-277)	X1 T-Bar Exposed (Standard) X3B Hard Ceiling X7 Hard Ceiling (Concealed flange)	EML* Emergency Battery, Low (600-700 delivered lumens) EMH* Emergency Battery, High (1100-1400 delivered lumens) CP Chicago Plenum DM Dimming (Specify manufacturer, voltage and other requirements) RSE** Rapid-Start Electronic 10THD** Ballast with <10% Total Harmonic Distortion B____ Specific Ballast (Specify manufacturer and catalog number) FH Fixture Fusing (Slow blow) ADC Acrylic Dust Cover (Consult factory for restrictions) C2 90° 2-Way Mitered Connector CX Special Connectors *Consult factory for fixture lengths < 4' **T8 only

# P59 | Cove & Perimeter

## Cove-in-a-Box



### PHOTOMETRICS

**P59-1T8--04-W**  
 1297 Lamp Lumens  
 3000 Delivered Lumens  
 32 Input Watts  
 D=100.0% I=0.0%  
 Report #LSI17285



759

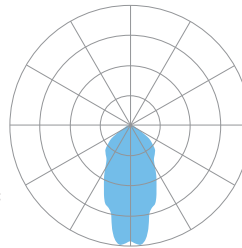
**Zonal Lumen Summary:**  
 0-90 43.24 100.00  
 90-180 0.00 0.00  
 Efficiency = 43.2%

#### Candlepower Summary

Vertical Angle	0°	22.5°	45°	67.5°	90°
0	372	372	372	372	372
5	371	367	368	362	364
10	368	360	360	370	364
15	361	352	374	475	452
20	352	349	456	617	601
25	339	361	558	730	729
30	324	399	666	759	761
35	306	436	690	729	737
40	285	474	673	633	638
45	261	490	609	491	496
50	235	460	498	389	388
55	207	419	375	235	232
60	177	349	269	139	141
65	145	253	146	79	80
70	114	173	85	59	61
75	81	76	49	40	43
80	49	32	31	24	27
85	18	12	15	9	12
90	0	0	0	0	0

### PHOTOMETRICS

**P59-1T8--04-PR**  
 1216 Lamp Lumens  
 3000 Delivered Lumens  
 32 Input Watts  
 D=100.0% I=0.0%  
 Report #LSI17286



1011

**Zonal Lumen Summary:**  
 0-90 40.54 100.00  
 90-180 0.00 0.00  
 Efficiency = 40.5%

#### Candlepower Summary

Vertical Angle	0°	22.5°	45°	67.5°	90°
0	968	968	968	968	968
5	968	997	1011	993	1003
10	960	989	958	848	880
15	943	934	777	711	712
20	909	827	703	640	641
25	862	690	639	525	523
30	803	632	534	430	422
35	733	582	445	349	347
40	655	488	351	317	320
45	570	402	301	293	296
50	483	324	271	242	243
55	396	240	236	192	192
60	312	196	179	107	107
65	228	159	109	56	59
70	150	110	52	44	45
75	75	52	36	30	32
80	35	22	22	17	20
85	14	8	10	5	9
90	0	0	0	0	0

### CONSTRUCTION

The housing, available in 2-, 3-, 4-, 6- or 8-foot standard lengths, is made of 20-gauge steel. Trim flange is 1/16"-thick extruded aluminum.

### FINISH

The standard housing and trim color is textured matte white (TMW) using polyester powder. Upper face of white (W) reflector system and parabolic reflector in (PR) system are made of specular aluminum.

### ELECTRICAL

T8 fixtures have instant-start electronic ballasts with less than 20% THD. Fixtures are U.L. Damp labeled and I.B.E.W. manufactured. Maximum ballast size available: 2.4" width x 1.5" height.

### MOUNTING

Fixture is to be recess-mounted in either exposed T-bar or hard ceiling application(s).

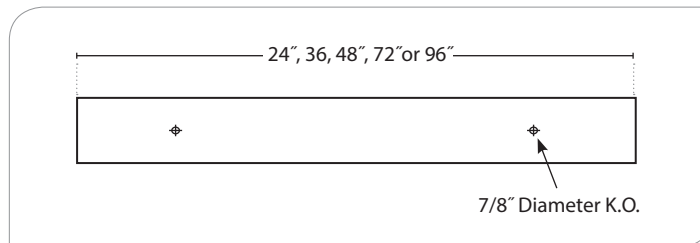


# P59 | Cove & Perimeter

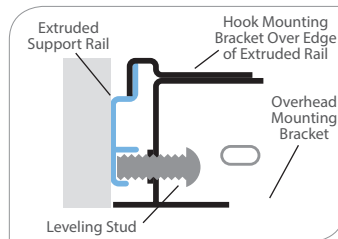
## Cove-in-a-Box



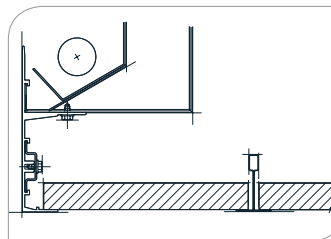
### MOUNTING LOCATIONS



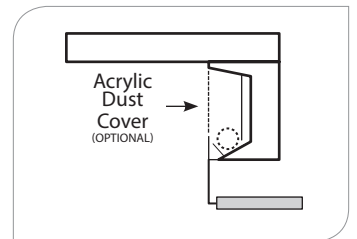
### MOUNTING DETAIL



### X1 CEILING SYSTEM

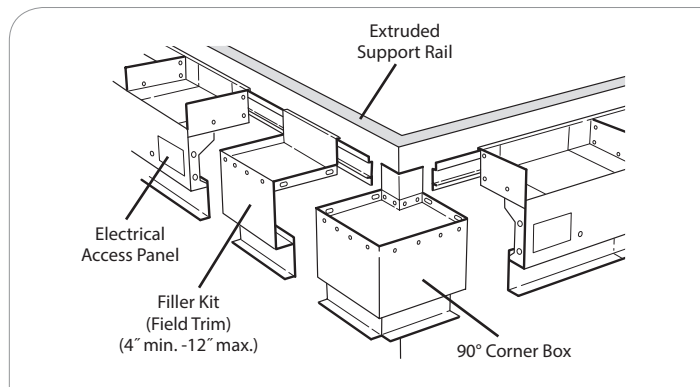


### ACRYLIC DUST COVER OPTION



**NOTE:** Recommended to install P59 prior to ceiling installation

### CORNER DETAIL



# P59 | Cove & Perimeter Cove-in-a-Box



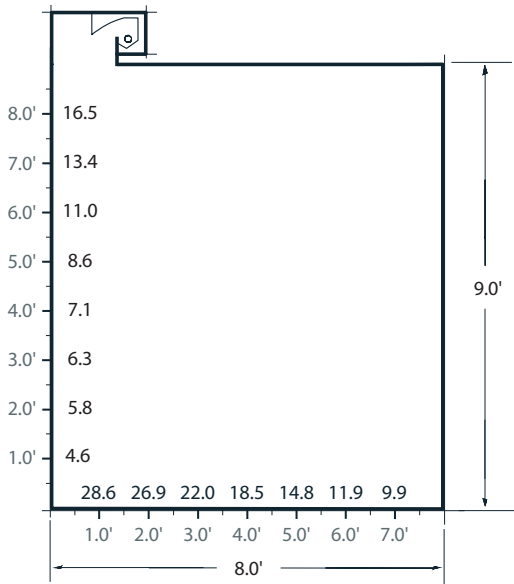
## PERIMETER APPLICATION

8' x 20' x 9' corridor layout

Reflectances used: 80/50/20

Average Illuminance/Horizontal Grid (0" A.F.F.)

Average Illuminance/Vertical Grid (Wall Surface)



### 20' Single Fixture – P-59-1T8-PR

### Vertical Footcandles

Average Illuminance Maintained (LLF = .70)	Max FC	Max : Min	1' A.F.F.
9.9 FC	19.4	4.2 : 1	4.6

### 20' Single Fixture – P-59-1T8-W

### Vertical Footcandles

Average Illuminance Maintained (LLF = .70)	Max FC	Max : Min	1' A.F.F.
12.1 FC	50.1	12.5 : 1	4.0

### 20' Single Fixture – P-59-1T8-PR

### Horizontal Footcandles

Average Illuminance Maintained (LLF = .70) (0" A.F.F.)	Max FC	Max : Min (0" A.F.F.)	Watts/ Square Foot
15.7 FC	28.6	2.9 : 1	.92

### 20' Single Fixture – P-59-1T8-W

### Horizontal Footcandles

Average Illuminance Maintained (LLF = .70) (0" A.F.F.)	Max FC	Max : Min (0" A.F.F.)	Watts/ Square Foot
11.5 FC	14.0	2.2 : 1	.92