


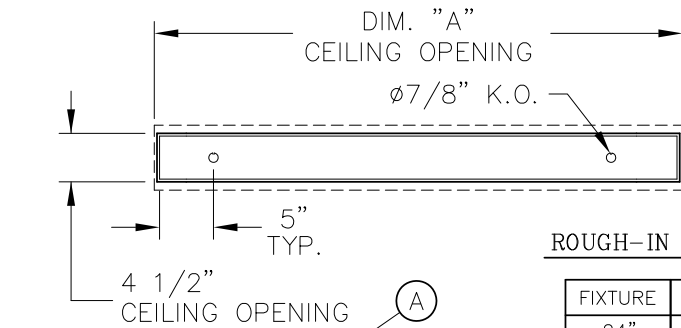
# P-43 SERIES TRIMLESS INSTALLATION INSTRUCTIONS

**1**  **WARNING: GROUND FIXTURE IN ACCORDANCE WITH LOCAL AND NATIONAL ELECTRICAL CODES. FAILURE TO DO SO MAY RESULT IN SERIOUS PERSONAL INJURY.**

## CEILING PREPARATION

- CUT CEILING OPENING TO DIMENSIONS SPECIFIED (SEE ROUGH-IN DIMS.) AND SCREW (A) MOUNTING BRACKETS ONTO (B) STUDS OR CEILING JOISTS (FIG. #1).
- REMOVE (D) REFLECTOR FROM FIXTURE.
- PULL SUPPLY WIRES THROUGH K.O. INTO THE FIXTURE (FIG. #2).

- PLACE (E) INSTALLATION GUIDES INSIDE FIXTURE TO PREVENT ANY DEFORMATION OF HOUSING (FIG. #5) DURING INSTALLATION. SCREW FLANGE ON TO CEILING (FIG. #3). DRIVE SCREWS STRAIGHT UP, DO NOT ANGLE, WILL DISTORT APERTURE OPENING. APPLY PLASTER AROUND FLANGE (FIG. #4).
- MAKE ALL WIRE CONNECTIONS AND REPLACE ALL REFLECTORS. INSTALL LAMP(S) & SNAP IN LENS, OR LOUVERS INTO HOUSING.



ROUGH-IN DIMENSION

FIXTURE	DIM. "A"
24"	24 5/8"
36"	36 5/8"
48"	48 5/8"
72"	72 5/8"
96"	96 5/8"

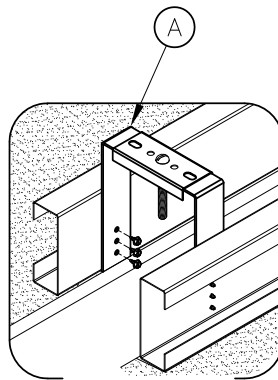
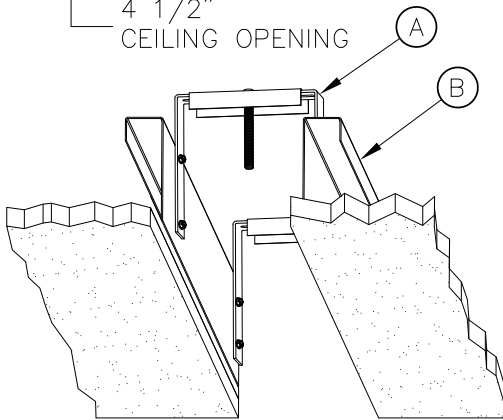
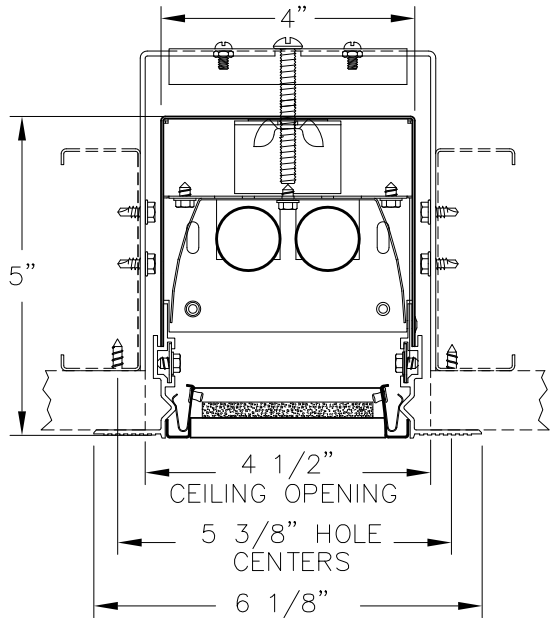


FIGURE #1

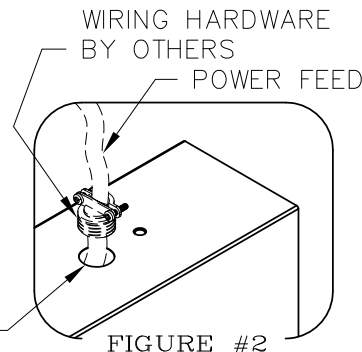


FIGURE #2

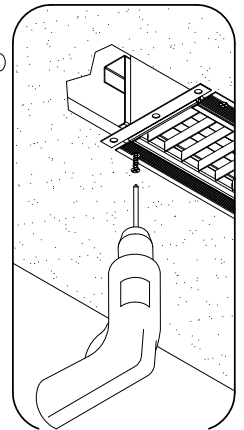
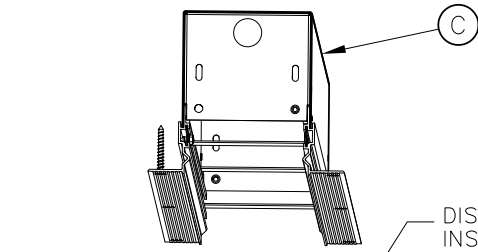


FIGURE #3



INSTALLATION GUIDES

(D)

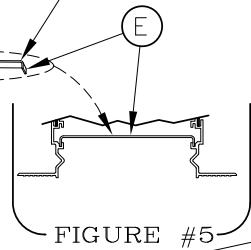
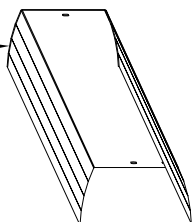


FIGURE #5

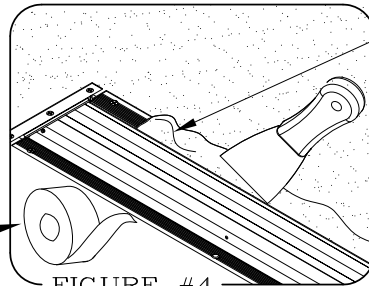


FIGURE #4

USE DRYWALL TAPE TO AVOID CRACKING (BY OTHERS)

### PICTORIAL VIEW

- (A) MOUNTING BRACKETS
- (B) METAL STUD OR CEILING JOIST
- (C) MODULAR HOUSING
- (D) FINISH CEILING SURFACE
- (E) (3) INSTALLATION GUIDES



PRUDENTIAL LTG.

1774 EAST 21ST STREET L.A. CA 90058  
WWW.PRULITE.COM  
TEL. (213)746-0360 FAX (213)746-8838

DRAWN BY: G. ROMO  
DATE: 04/06/11

DWG. No. 42182

DISK No. ZB3

CHK. DATE

REV. DATE 11/14/11

REV. D