



P43 | Cove & Perimeter

4" Perimeter

INSTALLATION INSTRUCTIONS



PRUDENTIAL LTG.

PRULITE.COM 213.746.0360

X7 (HARD CEILING CONCEALED FLANGE)

PARTS LIST	PART NO.	DESCRIPTION
	100-00090-02	Wall Rail Extrusion
DOES NOT SHIP ASSEMBLED	100638	Mounting Bracket Assembly
	73321	Housing Aligner Spline
	29513	Aligner Spline
	See Order	Lens
	82484	Lens Removal Tool
	43070	Aperture Guide

PARTS LIST	PART NO.	DESCRIPTION
	100-00047-14	8-32 x 3/8" Hex Head Self Tap Screw
	100-00086-14	#6 x 3/16" Phil Pan Head Screw
	100-00148-14	10-3/16" Hex Head SMS
	100-00086-14	#6 x 3/8" Phil Pan Tek Screw

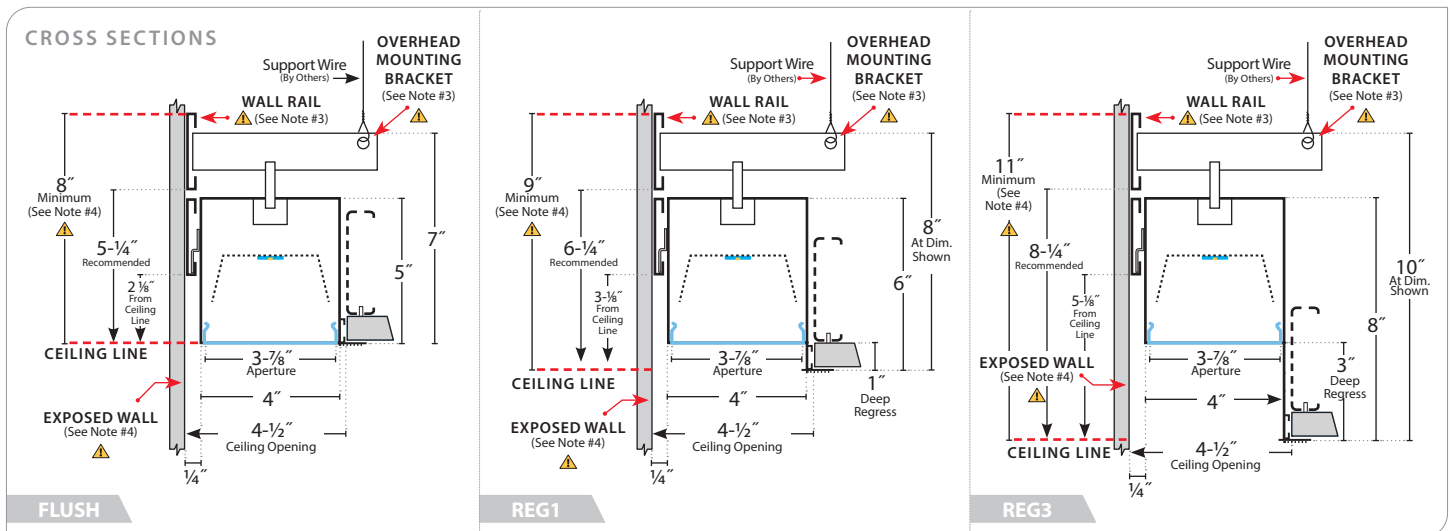
PARTS LIST	PART NO.	DESCRIPTION
FINISH PLATES:		
LIGHT POCKET		
	44600	Flush
	105374	Reg1
	90918	Reg3
	77029	Wall to Wall (All)

GENERAL NOTES

1. Wall-to-Wall Fixtures must terminate at wall (No end trims).
2. Individual fixtures not intended for row mounting.
3. Fixtures, mounting system, and seam hardware must be hung prior to ceiling drywall.
4. Refer to table for minimum wall structure and recommended finished wall dimensions.

	FLSH	REG1	REG3
Min Wall Structure Height	8"	9"	11"
Min Exposed/Finished Wall Height	2"	3"	5"

— All dimensions are above ceiling line.



WARNING: Ground fixture in accordance with local and national electrical codes. Failure to do so may result in serious personal injury.



P43 | Cove & Perimeter

4" Perimeter

INSTALLATION INSTRUCTIONS



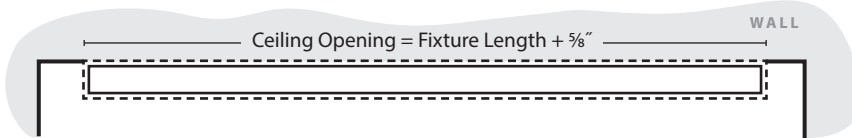
PRUDENTIAL LTG.

PRULITE.COM 213.746.0360

X7 (HARD CEILING CONCEALED FLANGE)

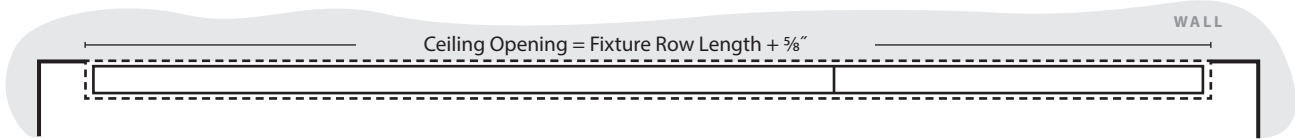
WALL TO WALL (WTW) / LIGHT POCKET (LP) MOUNTING

LIGHT POCKET (LP) INDIVIDUAL: ROW DIRECTION: INSTALL FROM LEFT TO RIGHT

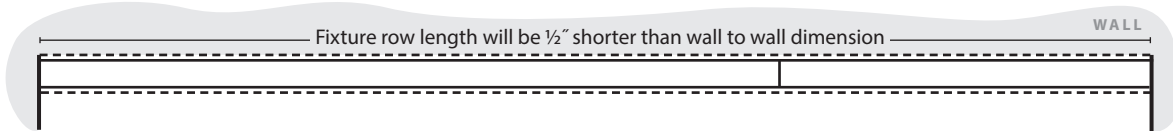


FIXTURE	DIM 'A'
24"	24 5/8"
36"	36 5/8"
48"	48 5/8"
72"	72 5/8"
96"	96 5/8"

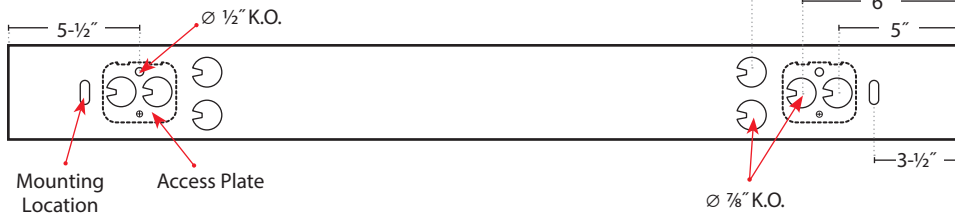
LIGHT POCKET (LP):



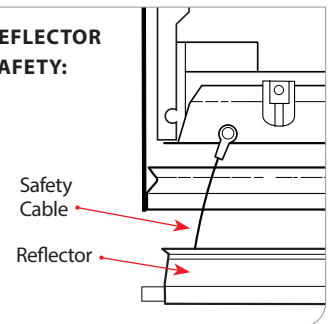
WALL TO WALL (WTW):



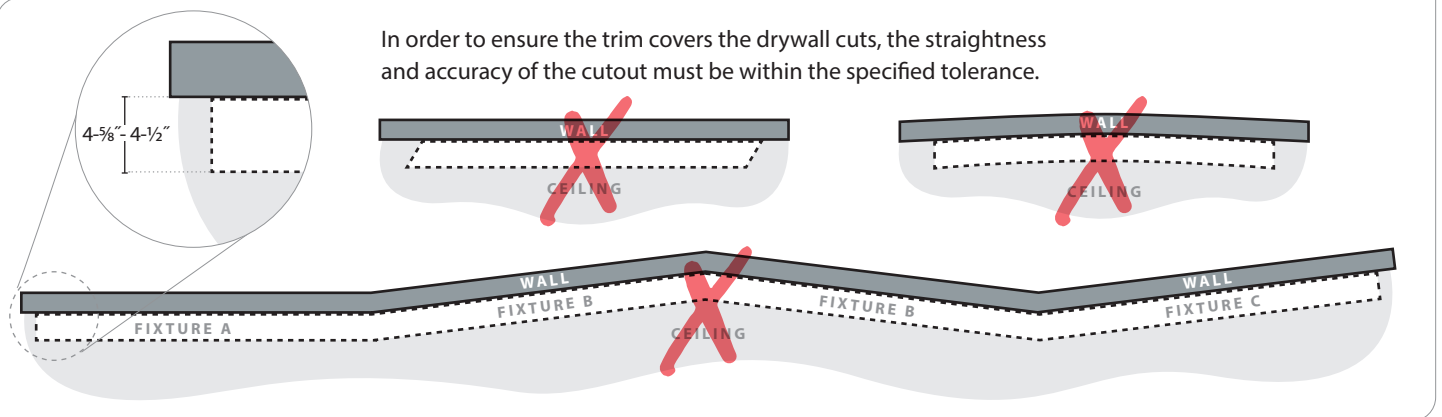
ROUGH-IN DIMENSIONS:



REFLECTOR SAFETY:



In order to ensure the trim covers the drywall cuts, the straightness and accuracy of the cutout must be within the specified tolerance.



WARNING: Ground fixture in accordance with local and national electrical codes. Failure to do so may result in serious personal injury.



P43 | Cove & Perimeter

4" Perimeter

INSTALLATION INSTRUCTIONS



X7 (HARD CEILING CONCEALED FLANGE)

INSTALLATION

1. Install wall rails for length of fixture / row. (Figures 1 & 2).
2. Remove reflectors.
3. Place overhead mounting brackets into top wall rail and secure to fixture using 1/4-20 x 1 1/2" screw and washer. Fixture mounting clip should sit in bottom wall rail. (Figure 4).
4. Make all wiring connections through access plate. (Figure 5).
5. Replace reflectors.
6. Install joiner hardware as needed. (See page 4).
7. Install drywall. Drywall cutout information as shown. (See page 2).

FIGURE 1. FIXTURE INSTALLATION DETAIL:

FIGURE 1.

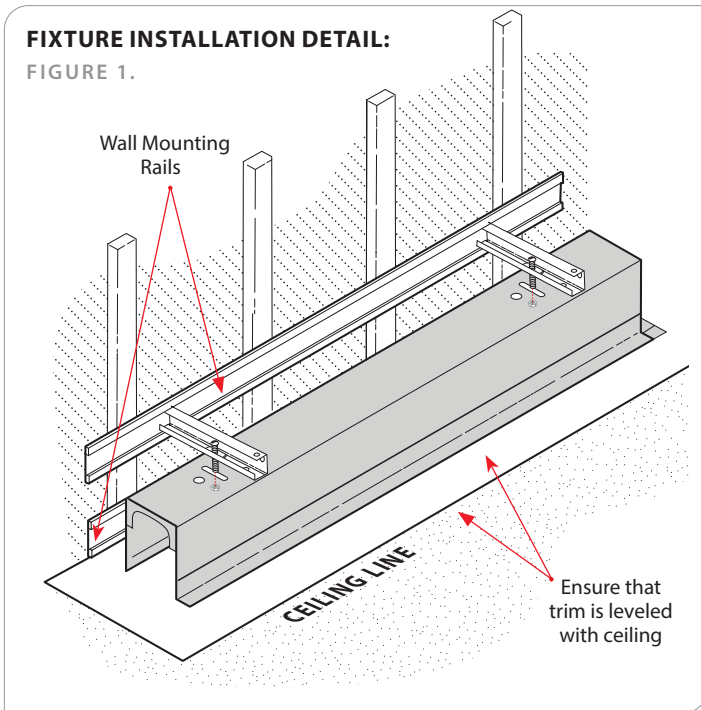


FIGURE 2. WALL RAIL DETAIL:

FIGURE 2.

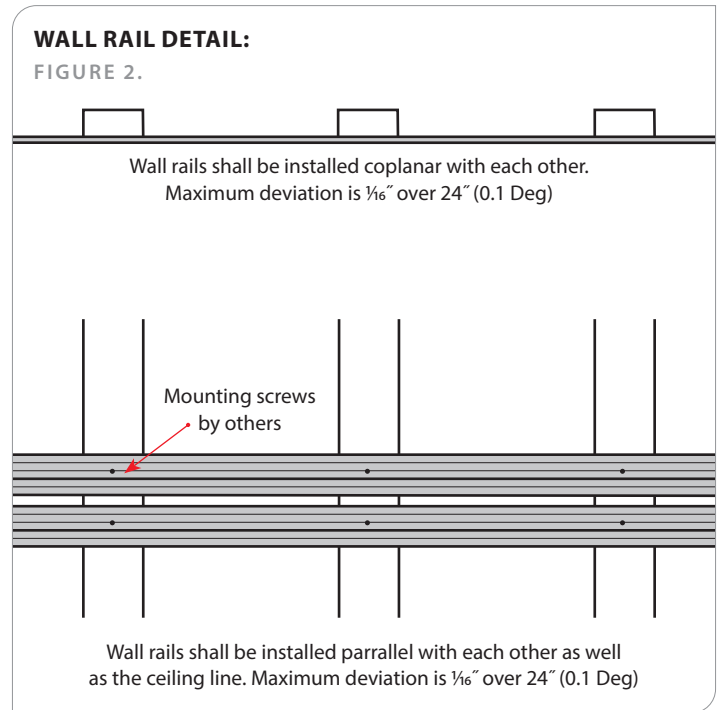


FIGURE 3.

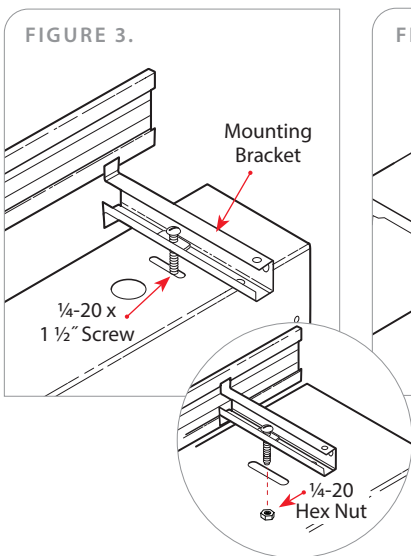


FIGURE 4.

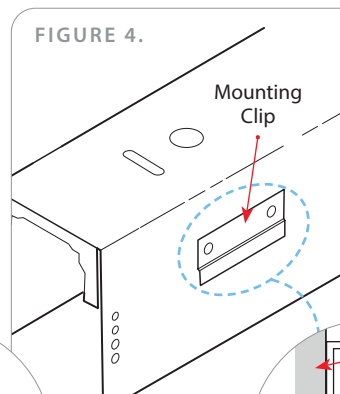
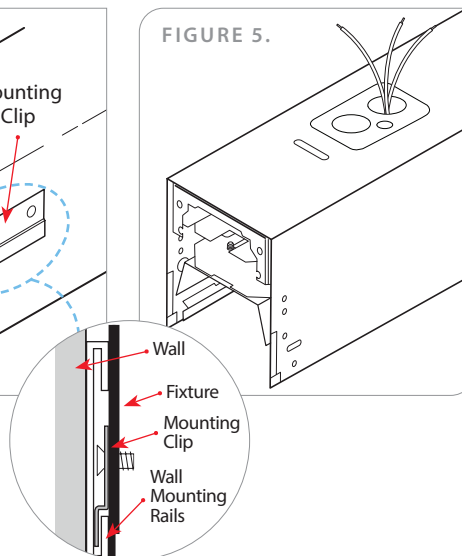


FIGURE 5.



WARNING: Ground fixture in accordance with local and national electrical codes. Failure to do so may result in serious personal injury.



P43 | Cove & Perimeter

4" Perimeter

INSTALLATION INSTRUCTIONS



PRUDENTIAL LTG.

PRULITE.COM 213.746.0360

X7 (HARD CEILING CONCEALED FLANGE)

AFTER DRYWALL INSTALLATION

1. Place aperture guides into the notches in housing (Figure 5A, 5B, 5C).
2. Secure trim to drywall using drywall screws (by others). Drive screws straight up. Angled screws may distort fixture aperture (Figure 6).
3. Remove aperture guides and test lenses for proper fit. (Guides can be discarded after testing lenses). Lenses should snap in tight with no bowing or sagging.
4. Tape and mud up to trim edge. (Figure 7 & 8).

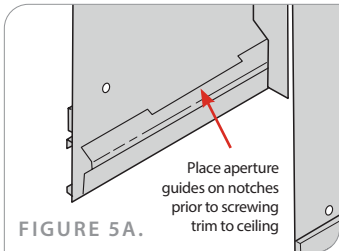


FIGURE 5A.

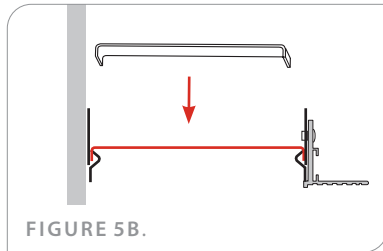


FIGURE 5B.

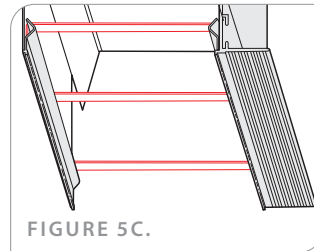


FIGURE 5C.

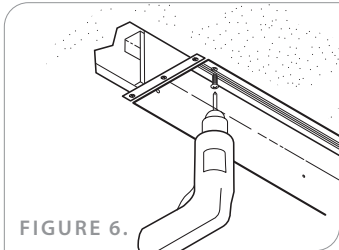


FIGURE 6.

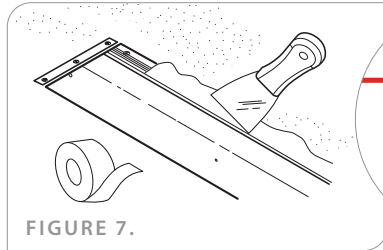


FIGURE 7.

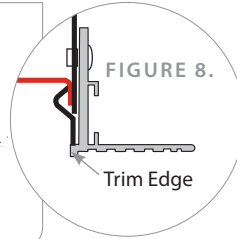


FIGURE 8.

ROW MOUNTING

1. Install (2) housing aligner splines per seam and secure to housing using 8-32 x 3/8" screws (Figure 6A & 6B).
2. Slide (2) aligner/ seam joiners into trim at the seam and secure to trim using 6-32 x 3/16" Phil Pan Screw (Figure 7). For last fixture in row, the seam joiner can be slid out of the way, then back into place after fixture is installed.
3. Install finish plates at start and end of row and secure to housing using (2) #10 x 3/16" sheet metal screws (Figure 8).
4. Refer to filler kit instructions to field trim filler kits (where used).
5. Last lens in row to be field trimmed to size.

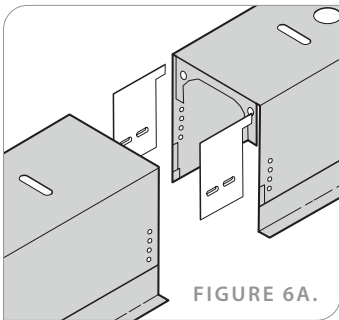


FIGURE 6A.

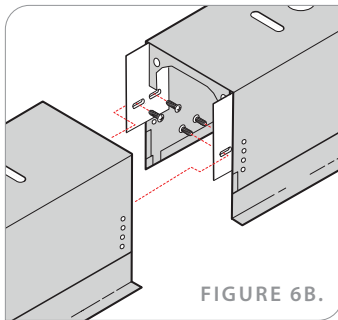


FIGURE 6B.

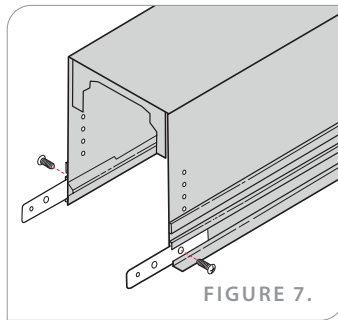


FIGURE 7.

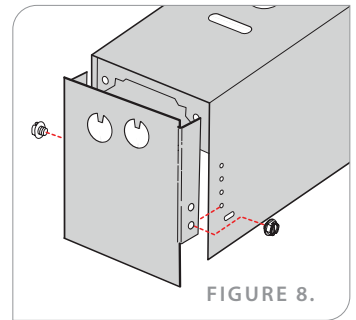


FIGURE 8.

WARNING: Ground fixture in accordance with local and national electrical codes. Failure to do so may result in serious personal injury.



Prudential Ltg. reserves the right to change design specifications or materials without notice. Please visit prulite.com for most current data.
© 2015 All rights reserved – All products manufactured at: Prudential Ltg. 1774 E. 21st Street, Los Angeles, CA 90058



P43 | Cove & Perimeter

4" Perimeter

INSTALLATION INSTRUCTIONS

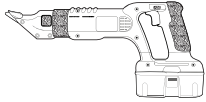


PRUDENTIAL LTG.

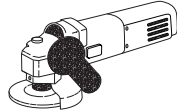
PRULITE.COM 213.746.0360

FILLER KIT

TOOLS REQUIRED



Power Shears



Grinder



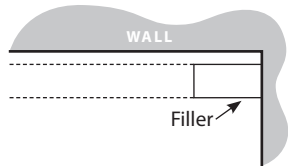
Tin Snips

INSTALLATION

PLEASE READ THE FOLLOWING INSTRUCTIONS CAREFULLY:

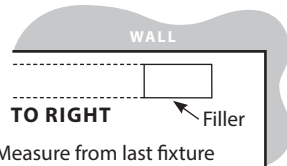
1. Determine **FILLER** location & measure length of filler needed (Mark cut line around housing).

WALL TO WALL



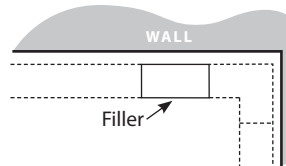
Measure from last fixture to wall (Subtract 1/4")

LIGHT POCKET



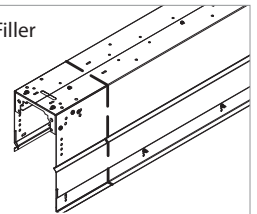
TO RIGHT
Measure from last fixture to ceiling opening (Subtract 5/16" for X3/X7)

PATTERN



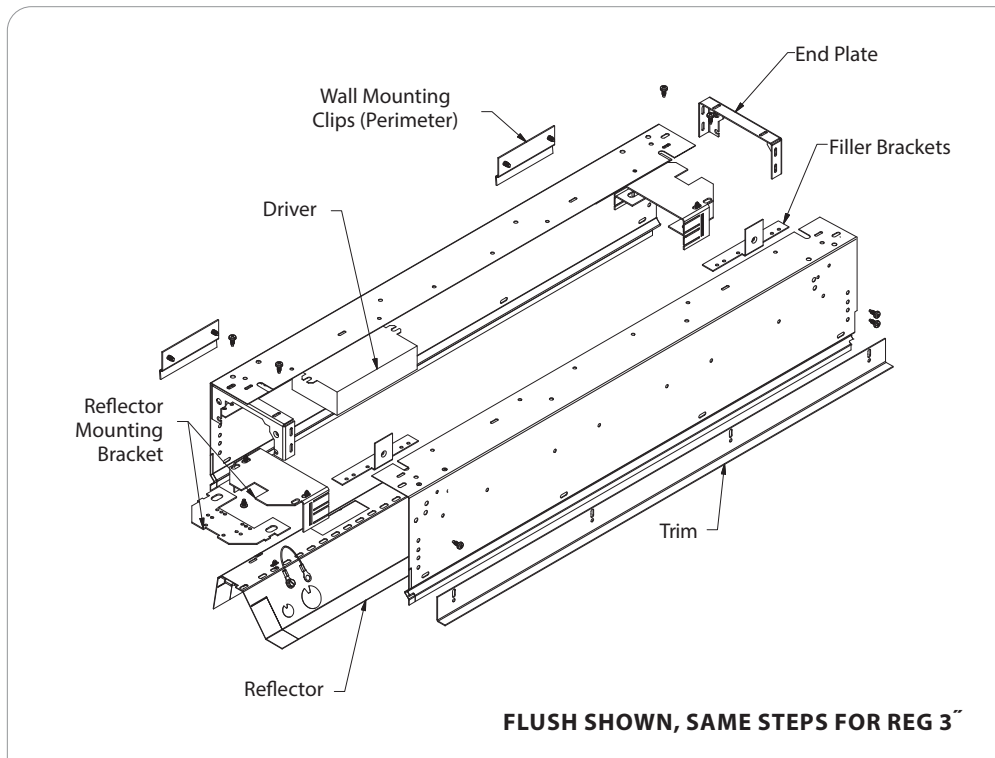
Measure from last fixture to connector

Reg 3" Filler Shown



Mark cutline around housing

1. Disassemble **FILLER** kit & remove reflector from previous fixture.



WARNING: Ground fixture in accordance with local and national electrical codes. Failure to do so may result in serious personal injury.



Prudential Ltg. reserves the right to change design specifications or materials without notice. Please visit prulite.com for most current data.
© 2015 All rights reserved - All products manufactured at: Prudential Ltg. 1774 E. 21st Street, Los Angeles, CA 90058



P43 | Cove & Perimeter

4" Perimeter

INSTALLATION INSTRUCTIONS

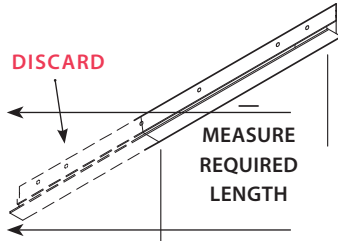


PRUDENTIAL LTG.

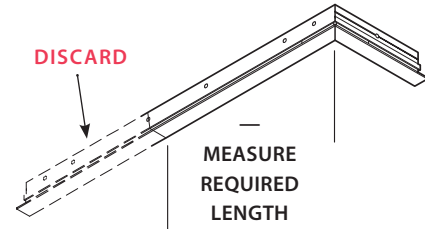
PRULITE.COM 213.746.0360

FILLER KIT

3. Measure trim and mark for cutting.



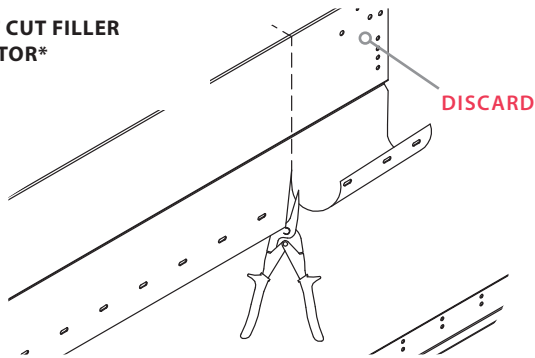
WALL TO WALL & PATTERN



LIGHT POCKET

4. Cut and discard filler housing.

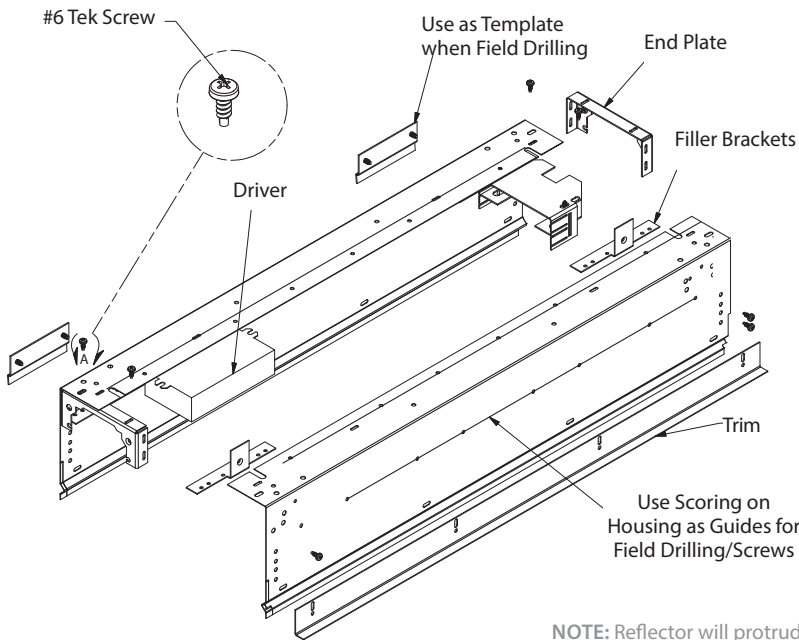
DO NOT CUT FILLER REFLECTOR*



* FOR SPECIAL SITUATIONS, THE 2' FILLER REFLECTOR MAY BE PROVIDED WITH LESS THAN 2' OF LED BOARD. IN THIS CASE, TRIM THE REFLECTOR TO THE LED BOARD — **THIS WILL NOT APPLY TO MOST INSTALLATIONS**

5. Assemble filler kit with driver & trim (Do Not install Reflector with LED arrays).

6. Install filler into ceiling & connect wiring.



NOTE: Reflector will protrude, cut end of the filler housing

WARNING: Ground fixture in accordance with local and national electrical codes. Failure to do so may result in serious personal injury.



Prudential Ltg. reserves the right to change design specifications or materials without notice. Please visit prulite.com for most current data. © 2015 All rights reserved – All products manufactured at: Prudential Ltg. 1774 E. 21st Street, Los Angeles, CA 90058



P43 | Cove & Perimeter 4" Perimeter

INSTALLATION INSTRUCTIONS

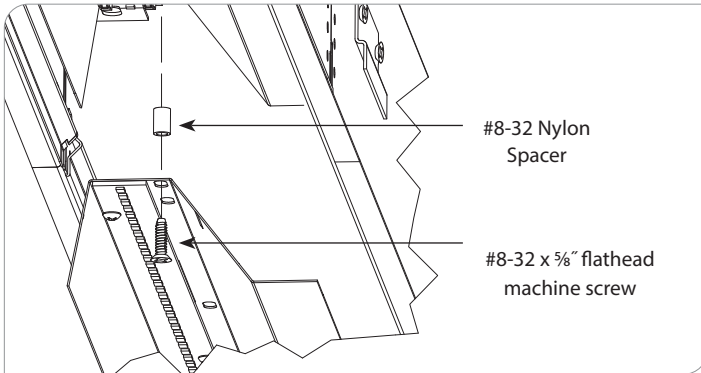


PRUDENTIAL LTG.

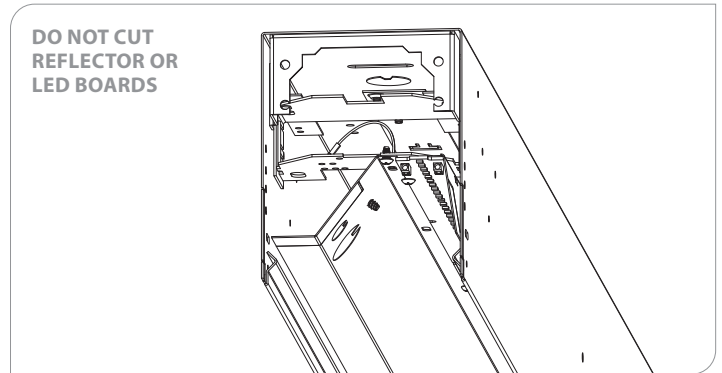
PRULITE.COM 213.746.0360

FILLER KIT

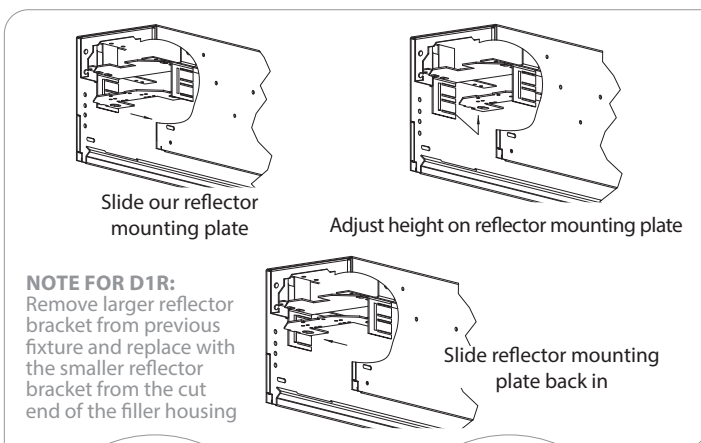
7. Install spacer on reflector in previous housing.



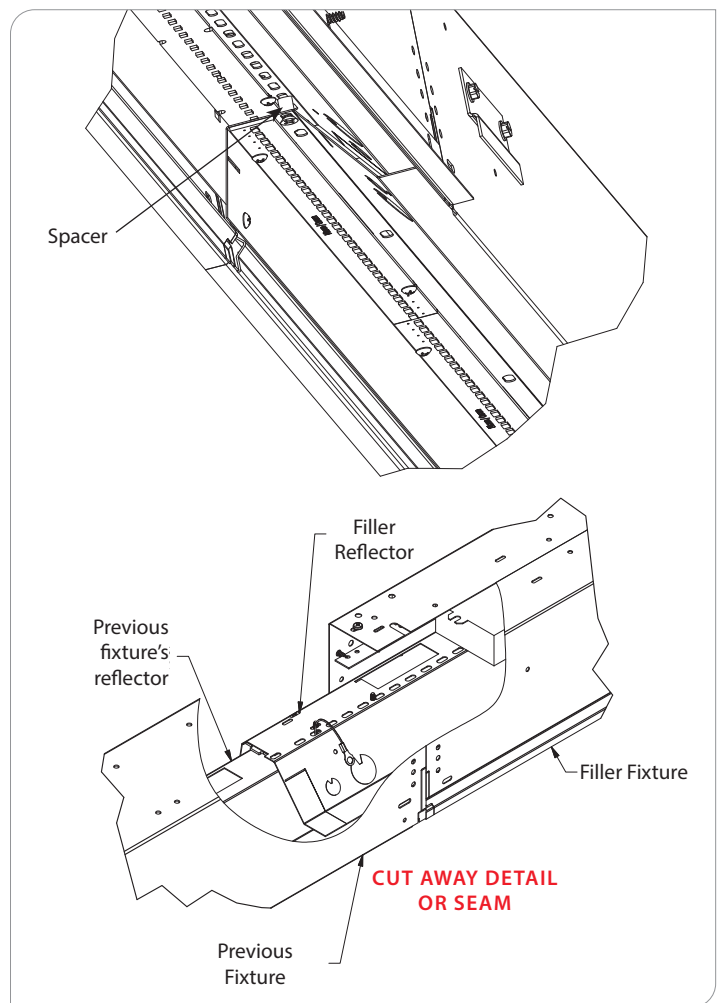
8. Install Filler Reflector 'above' previous housing reflector.



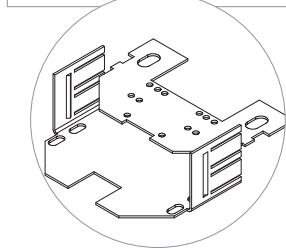
9. Slide reflector mounting plate OUT and UP one spot to secure reflector to previous housing.



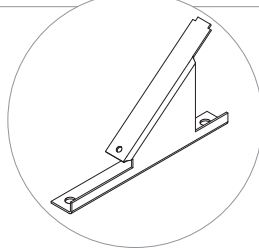
10. Screw reflector into last bracket of previous housing.



11. Complete wiring, install lens.



D1/D1G
Reflector Mounting Plate



D1R
Reflector Mounting Bracket

WARNING: Ground fixture in accordance with local and national electrical codes. Failure to do so may result in serious personal injury.