

LED P43 | Cove & Perimeter

4" Perimeter



PRUDENTIAL LTG.

PRULITE.COM 213.746.0360

INSTALLATION INSTRUCTIONS

X1, X2, X6 (T-BAR)

PARTS LIST	PART NO.	DESCRIPTION
	100-00090-02	Wall Rail Extrusion
DOES NOT SHIP ASSEMBLED	100638	Mounting Bracket Assembly
	100-00084-08	Troffer Clamp
	73321	Housing Aligner Spline
	100-00047-14	8-32 x 3/8" Hex Head Self Tap Screw
	100-00148-14	10-3/16" Hex Head SMS
	See Order	See Order
	82484	Lens Removal Tool
	100-00086-14	#6 x 3/8" Phil Pan Tek Screw

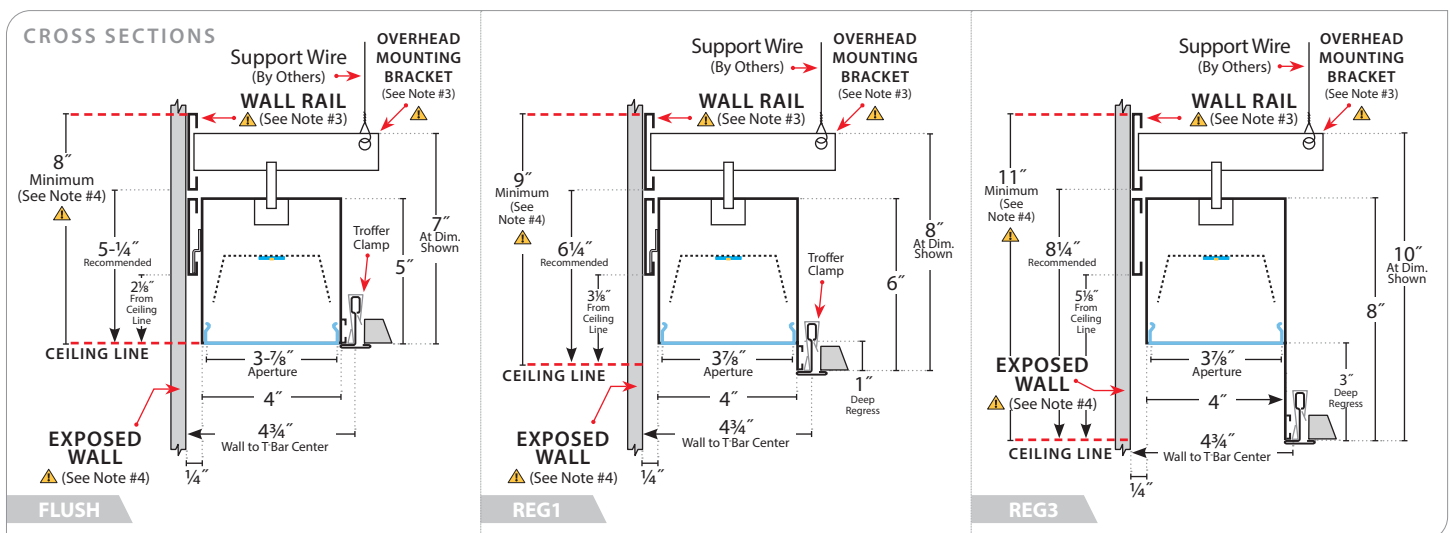
PARTS LIST	PART NO.	DESCRIPTION
FINISH PLATES:		
X1		
	76917	Flush
	105373	Reg1
	88287	Reg3
X2		
	88671	Flush
	105379	Reg1
	10514	Reg3
X6		
	88648	Flush
	105380	Reg1
	88649	Reg3
	77029	Wall to Wall (All)

NOTES

1. Wall-to-Wall Fixtures must terminate at wall (No end trims).
2. Individual fixtures not intended for row mounting.
3. Fixtures, mounting system, and seam hardware must be hung prior to ceiling panels.
4. Refer to table below for minimum wall structure and recommended finished wall dimensions.

	FLSH	REG1	REG3
Min Wall Structure Height	8"	9"	11"
Min Exposed/Finished Wall Height	2"	3"	5"

— All dimensions are above ceiling line.



WARNING: Ground fixture in accordance with local and national electrical codes. Failure to do so may result in serious personal injury.



P43 | Cove & Perimeter

4" Perimeter

INSTALLATION INSTRUCTIONS

X1, X2, X6 (T-BAR)



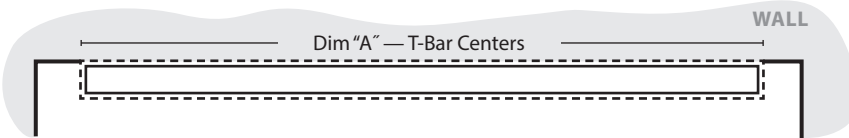
PRUDENTIAL LTG.

PRULITE.COM 213.746.0360

NOTES

WALL TO WALL (WTW) / LIGHT POCKET (LP) MOUNTING

LIGHT POCKET (LP) INDIVIDUAL: -----> ROW DIRECTION: INSTALL FROM LEFT TO RIGHT



T-BAR CENTER

DIM. A

24"

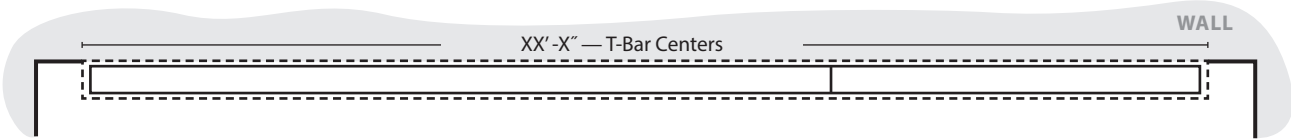
36"

48"

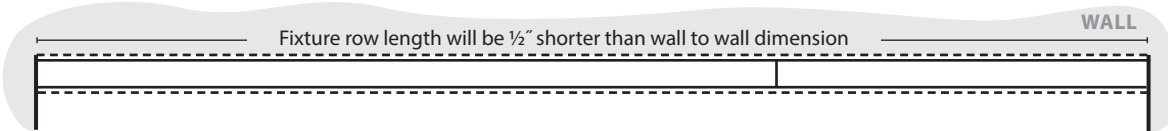
72"

96"

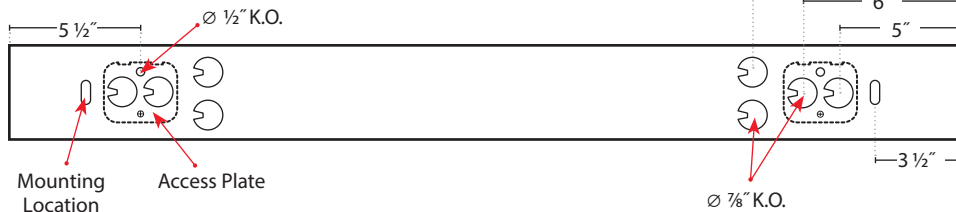
LIGHT POCKET (LP):



WALL TO WALL (WTW):



ROUGH-IN DIMENSIONS:

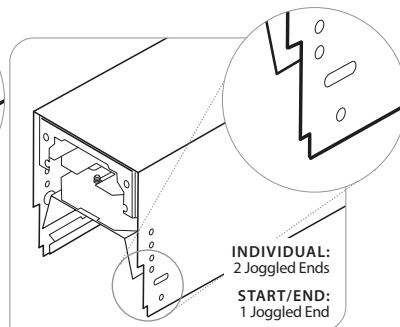
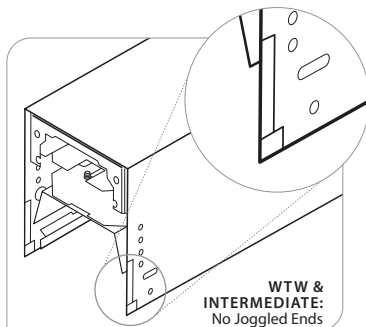


REFLECTOR SAFETY:

Safety Cable

Reflector

IDENTIFYING FIXTURES



WARNING: Ground fixture in accordance with local and national electrical codes. Failure to do so may result in serious personal injury.



Prudential Ltg. reserves the right to change design specifications or materials without notice. Please visit prulite.com for most current data. © 2015 All rights reserved - All products manufactured at: Prudential Ltg. 1774 E. 21st Street, Los Angeles, CA 90058



P43 | Cove & Perimeter

4" Perimeter

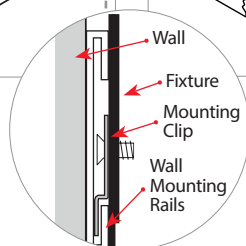
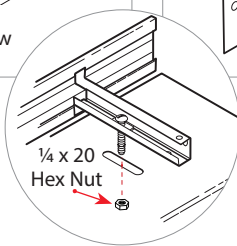
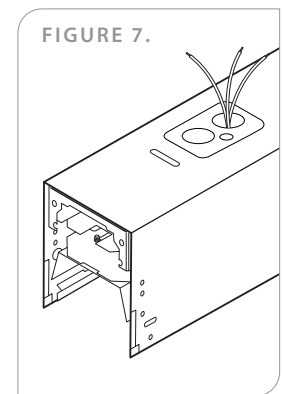
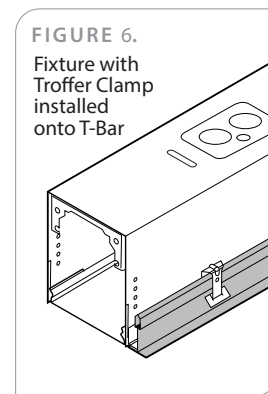
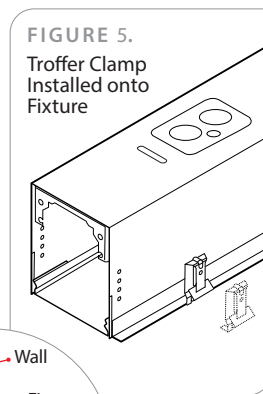
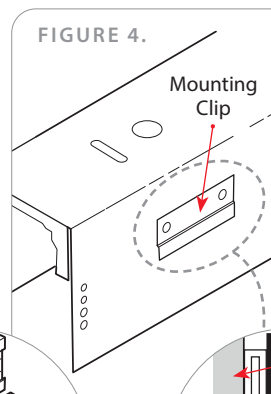
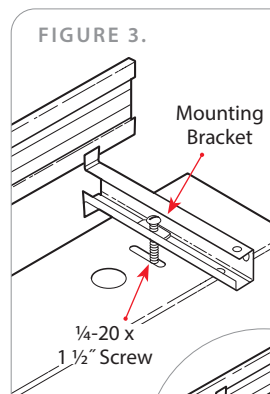
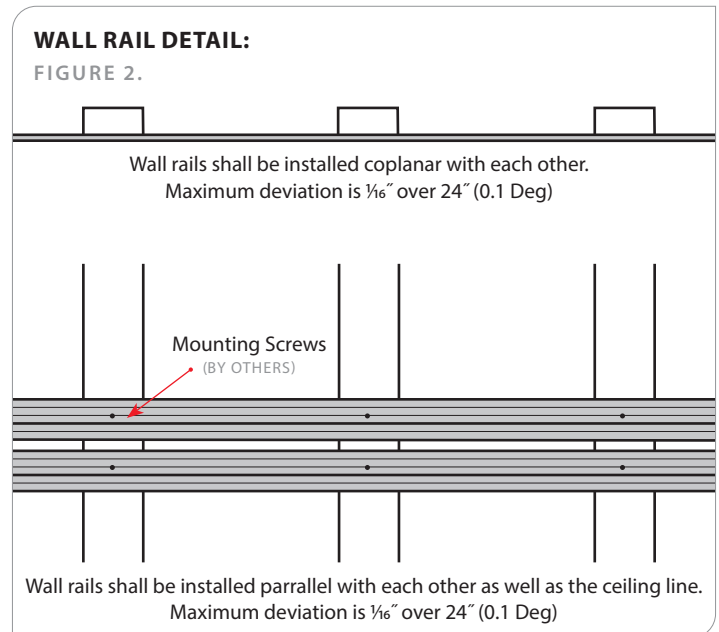
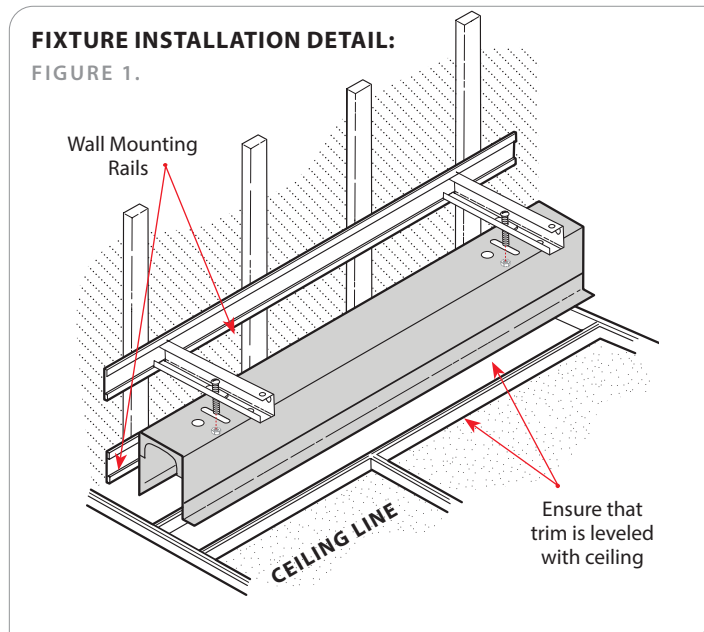
INSTALLATION INSTRUCTIONS



X1, X2, X6 (T-BAR)

INSTALLATION

1. Install wall rails for length of fixture / row (Figures 1 & 2).
2. Remove reflectors.
3. Install troffer clamps on ceiling side of fixture (Figure 5).
4. Place overhead mounting brackets into top wall rail and secure to fixture using ¼-20 x 1-½" screw and washer. Fixture mounting clip should sit in bottom wall rail. (Figure 4) and troffer clamps should attach to grid on ceiling side (Figure 6).
5. Make all wiring connections through access plate (Figure 7).
6. Replace reflectors.
7. Install joiner hardware as needed (See page 4).



WARNING: Ground fixture in accordance with local and national electrical codes. Failure to do so may result in serious personal injury.





P43 | Cove & Perimeter

4" Perimeter

INSTALLATION INSTRUCTIONS



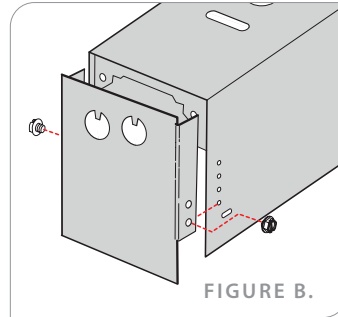
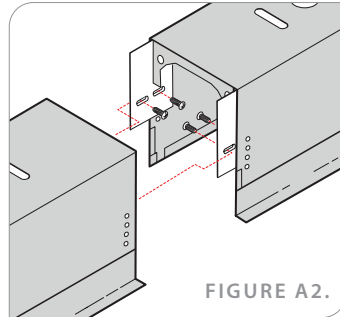
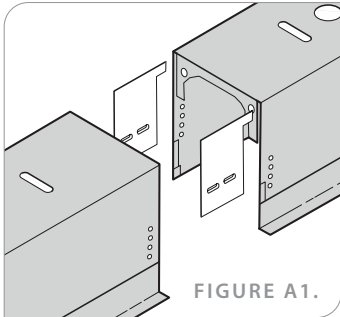
PRUDENTIAL LTG.

PRULITE.COM 213.746.0360

X1, X2, X6 (T-BAR)

ROW MOUNTING

1. Install (2) housing aligner splines per seam and secure to housing using 8-32 x $\frac{3}{16}$ " screws (Figure A1 & A2).
2. Install finish plates at start and end of row and secure to housing using (2) #10 x $\frac{3}{16}$ " sheet metal screws (Figure B).
3. Refer to filler kit instructions to field trim filler kits (where used).
4. Last lens in row to be field trimmed to size.



WARNING: Ground fixture in accordance with local and national electrical codes. Failure to do so may result in serious personal injury.



Prudential Ltg. reserves the right to change design specifications or materials without notice. Please visit prulite.com for most current data.
© 2015 All rights reserved – All products manufactured at: Prudential Ltg. 1774 E. 21st Street, Los Angeles, CA 90058



P43 | Cove & Perimeter

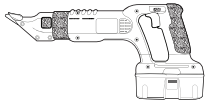
4" Perimeter

INSTALLATION INSTRUCTIONS

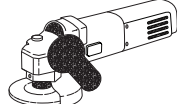


FILLER KIT

TOOLS REQUIRED



Power Shears



Grinder



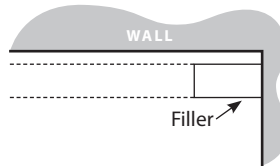
Tin Snips

INSTALLATION

PLEASE READ THE FOLLOWING INSTRUCTIONS CAREFULLY:

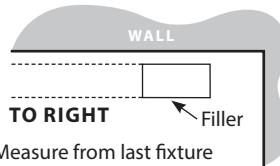
1. Determine **FILLER** location & measure length of filler needed (Mark cut line around housing)

WALL TO WALL



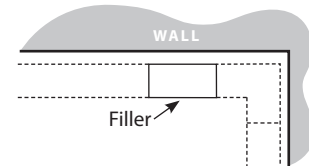
Measure from last fixture to wall (Subtract 1/4")

LIGHT POCKET



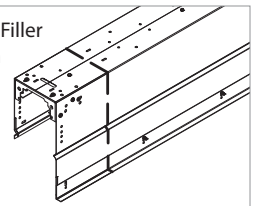
TO RIGHT
Measure from last fixture to ceiling opening (Subtract 5/16" for X3/X7)

PATTERN



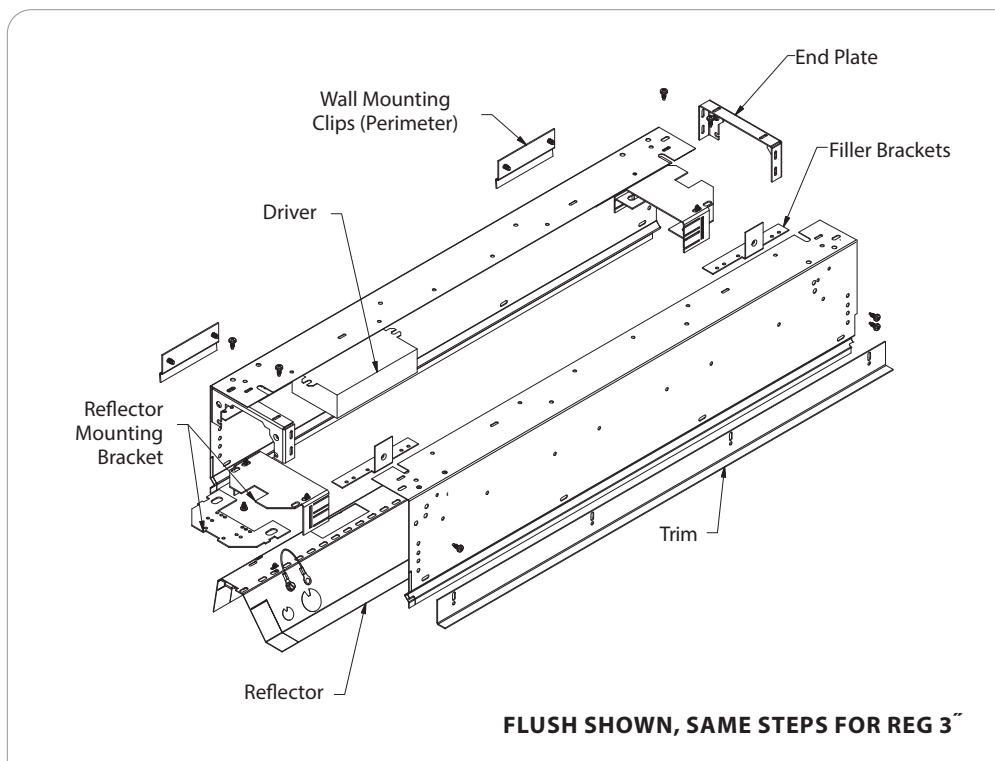
Measure from last fixture to connector

Reg 3" Filler Shown



Mark cutline around housing

2. Disassemble **FILLER** Kit & Remove Reflector from previous fixture.



WARNING: Ground fixture in accordance with local and national electrical codes. Failure to do so may result in serious personal injury.



P43 | Cove & Perimeter

4" Perimeter

INSTALLATION INSTRUCTIONS

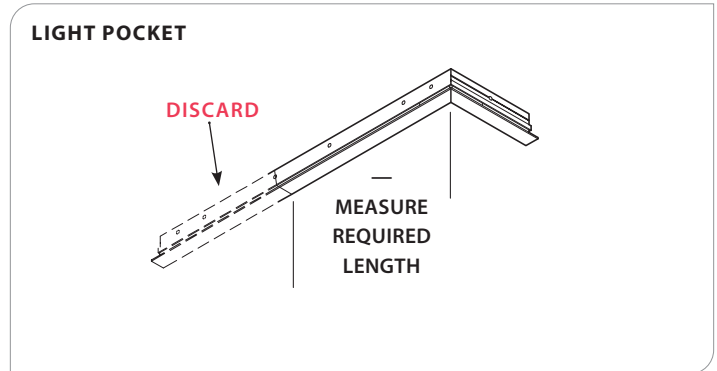
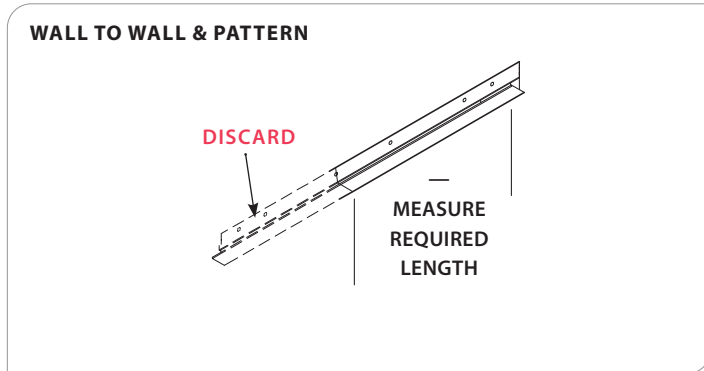


PRUDENTIAL LTG.

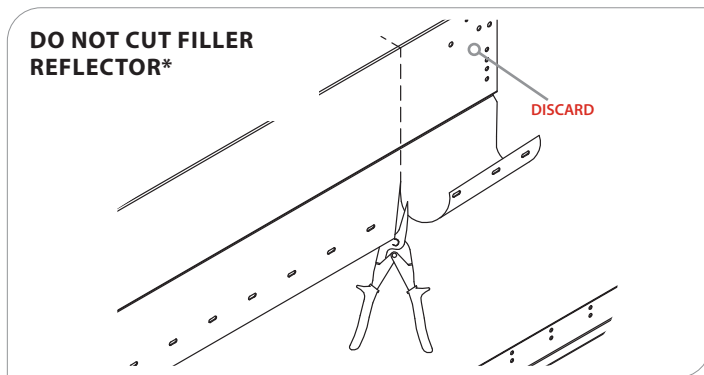
PRULITE.COM 213.746.0360

FILLER KIT

3. Measure Trim and Mark for Cutting.

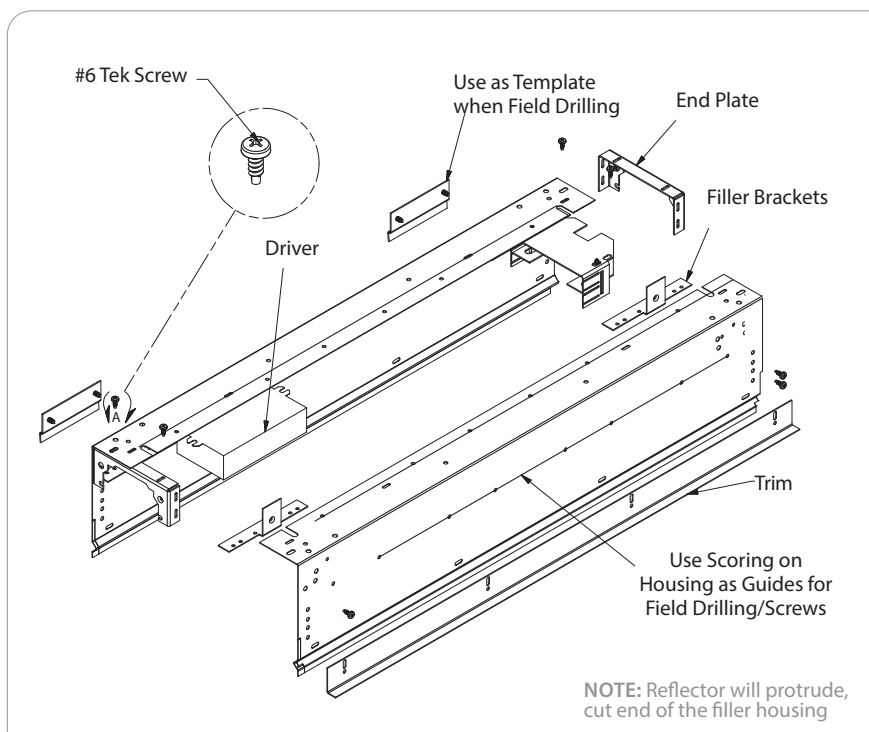


4. Cut and discard Filler Housing.



* FOR SPECIAL SITUATIONS, THE 2' FILLER REFLECTOR MAY BE PROVIDED WITH LESS THAN 2' OF LED BOARD. IN THIS CASE, TRIM THE REFLECTOR TO THE LED BOARD — **THIS WILL NOT APPLY TO MOST INSTALLATIONS**

5. Assemble Filler Kit with Driver & Trim (Do Not install Reflector with LED arrays).



6. Install filler into ceiling & connect wiring.

WARNING: Ground fixture in accordance with local and national electrical codes. Failure to do so may result in serious personal injury.



P43 | Cove & Perimeter 4" Perimeter

INSTALLATION INSTRUCTIONS

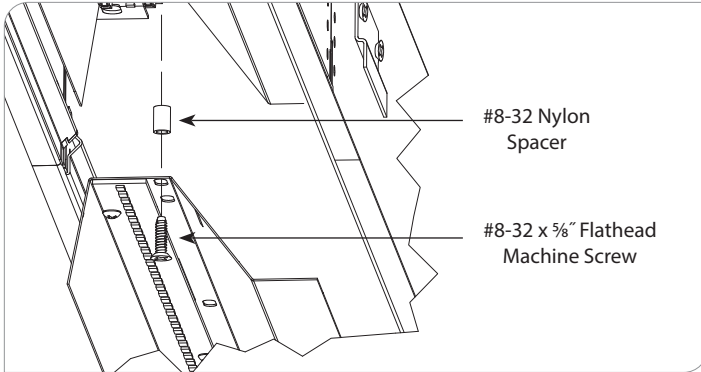


PRUDENTIAL LTG.

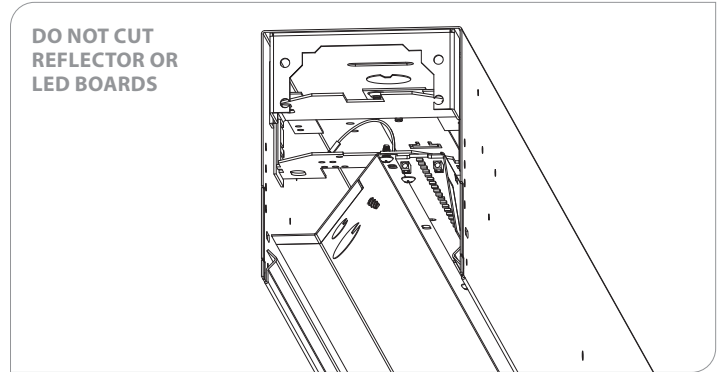
PRULITE.COM 213.746.0360

FILLER KIT

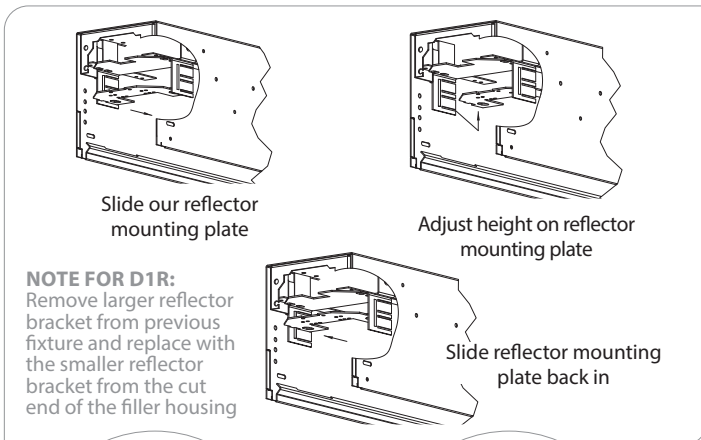
7. Install spacer on reflector in previous housing.



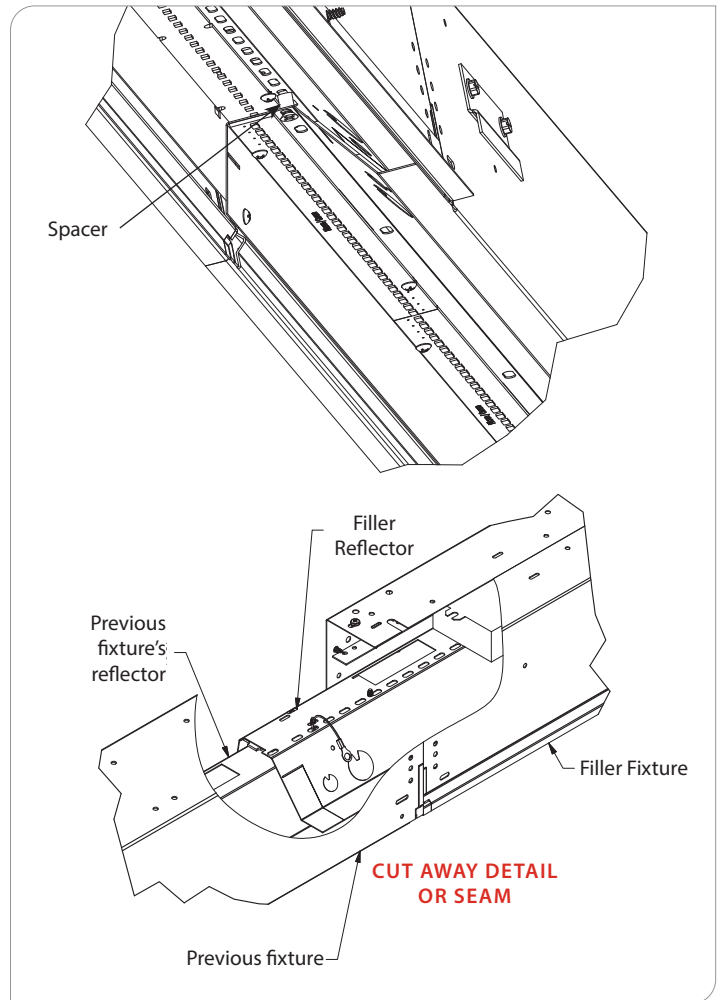
8. Install Filler Reflector 'above' previous Housing Reflector.



9. Slide Reflector Mounting Plate OUT and UP One Spot to secure Reflector to Previous Housing.



10. Screw Reflector into last Bracket of Previous Housing.



11. Complete wiring, install lens.

WARNING: Ground fixture in accordance with local and national electrical codes. Failure to do so may result in serious personal injury.