

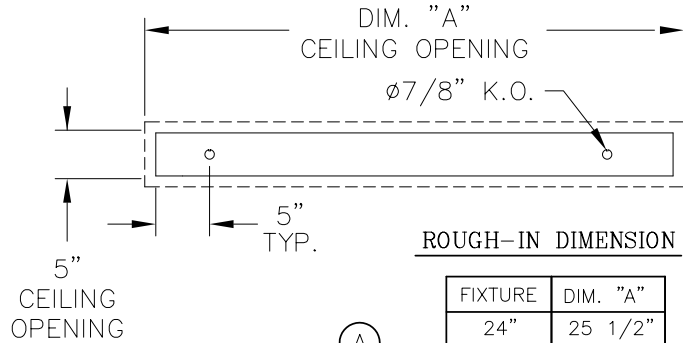
P-42 SERIES TRIMLESS (X7) INSTALLATION INSTRUCTIONS

1  **WARNING: GROUND FIXTURE IN ACCORDANCE WITH LOCAL AND NATIONAL ELECTRICAL CODES. FAILURE TO DO SO MAY RESULT IN SERIOUS PERSONAL INJURY.**

CEILING PREPARATION

- CUT CEILING OPENING TO DIMENSIONS SPECIFIED (SEE ROUGH-IN DIMS.) & PROVIDE ADEQUATE SUPPORT FROM (A) METAL STUDS (FIG. #1) OR CEILING JOISTS.
- REMOVE (D) REFLECTOR FROM FIXTURE.
- PULL SUPPLY WIRES THROUGH K.O. INTO THE FIXTURE (FIG. #2) & MOUNT THE FIXTURE ON TO (A) STUDS W/ #8 SHEET METAL SCREWS (FIG. #3).

- APPLY DRYWALL JOINT COMPOUND/PLASTER AROUND FLANGE, BLEND WITH CEILING FINISH. (FIG. #4)
- MAKE ALL WIRE CONNECTIONS AND REPLACE ALL REFLECTORS. INSTALL LAMP(S) & SNAP ALL LENS, OR LOUVERS INTO HOUSING.



ROUGH-IN DIMENSION

FIXTURE	DIM. "A"
24"	25 1/2"
36"	37 1/2"
48"	49 1/2"
72"	73 1/2"
96"	97 1/2"

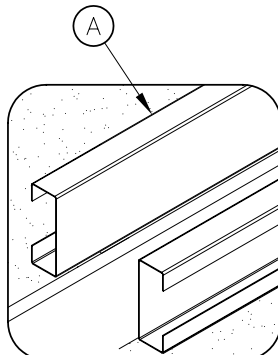
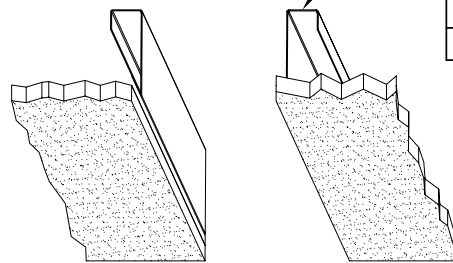


FIGURE #1

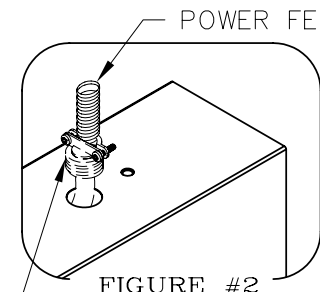


FIGURE #2

WIRING HARDWARE BY OTHERS

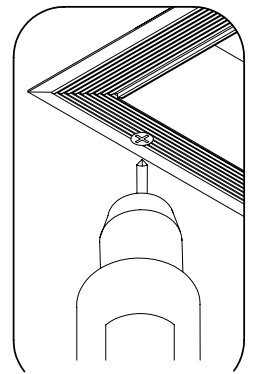
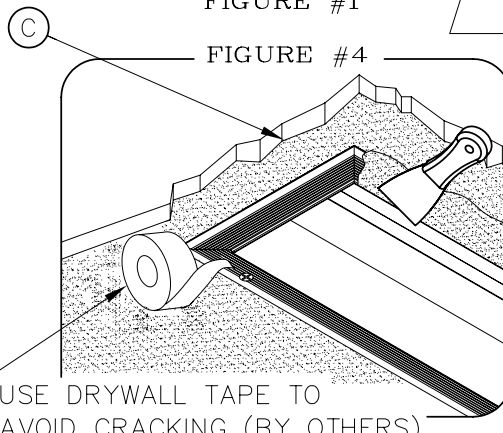
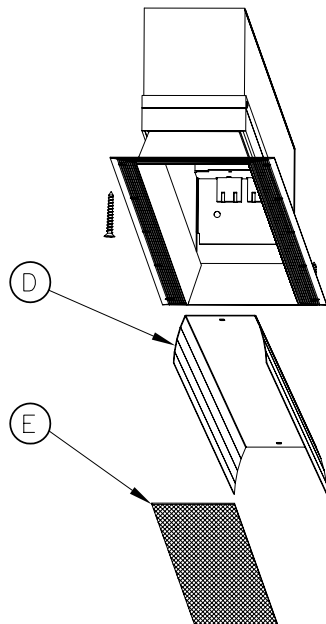
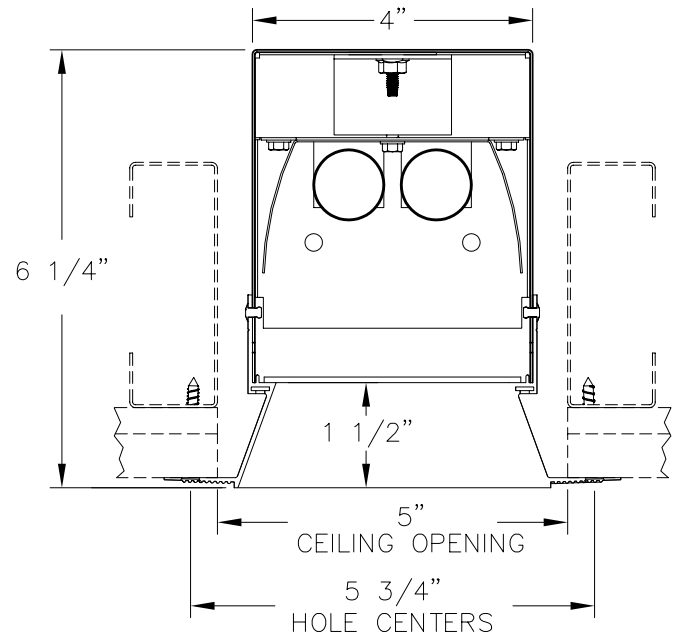


FIGURE #3



USE DRYWALL TAPE TO AVOID CRACKING (BY OTHERS)

PICTORIAL VIEW

- (A) METAL STUD OR CEILING JOIST
- (B) MODULAR HOUSING
- (C) FINISH CEILING SURFACE
- (D) REFLECTOR
- (E) LENS



PRUDENTIAL LTG.

1774 EAST 21ST STREET L.A. CA 90058
WWW.PRULITE.COM
TEL. (213)746-0360 FAX (213)746-8838

DRAWN BY: G. ROMO
DATE: 01/21/09

CHK. DATE

DWG. No.

42188

DISK No. ZB3

REV.