

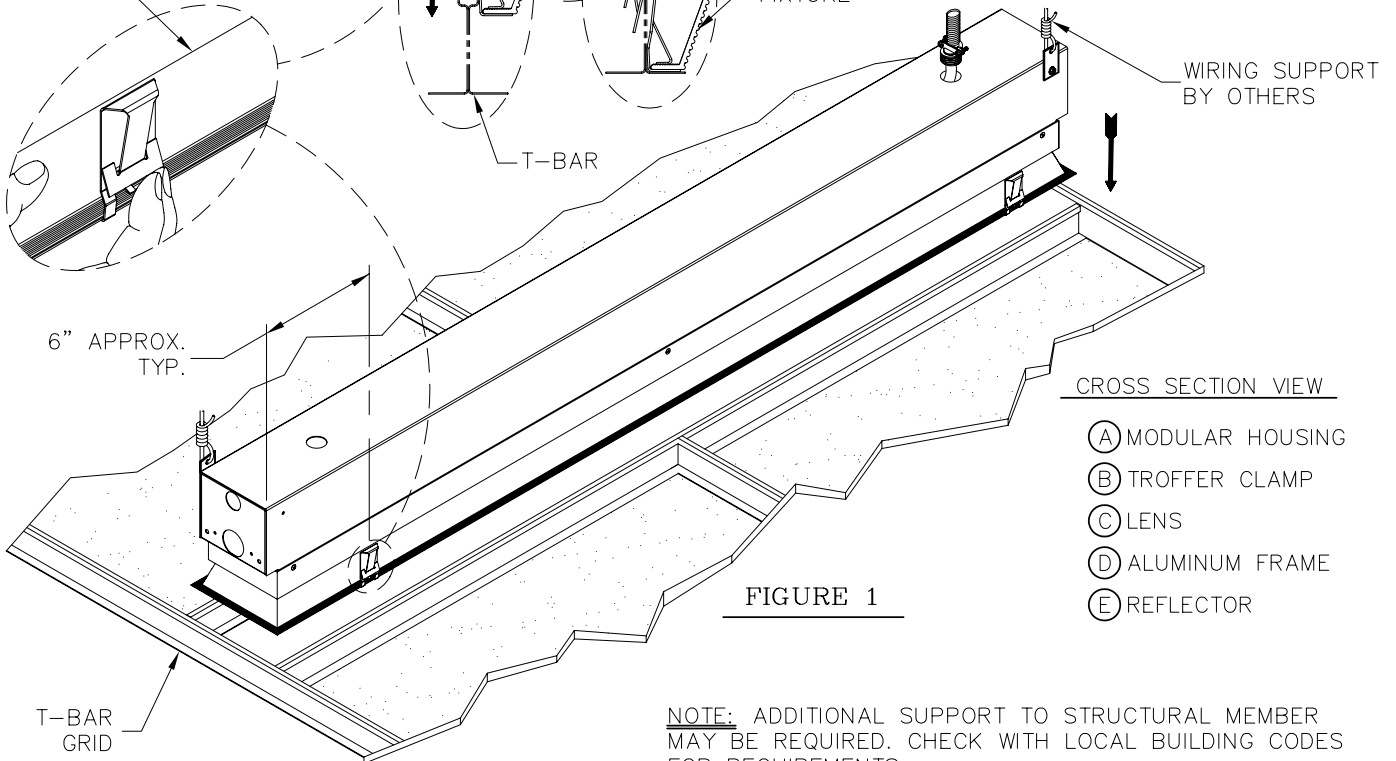
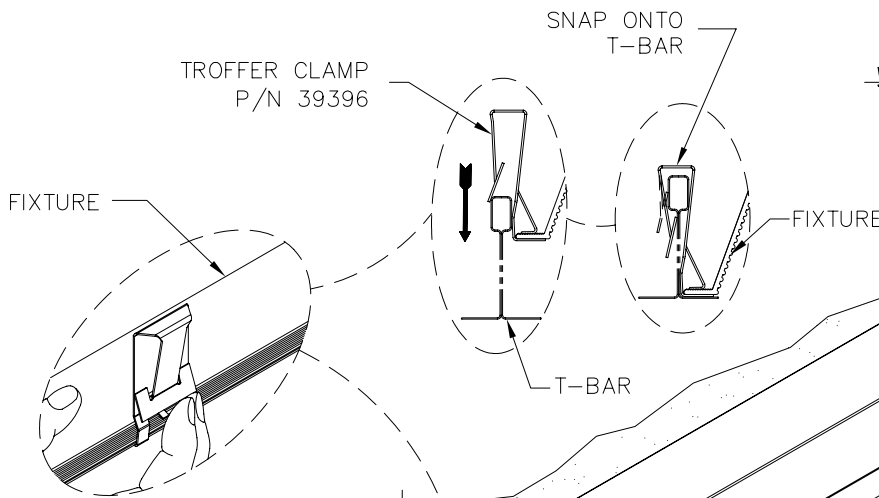
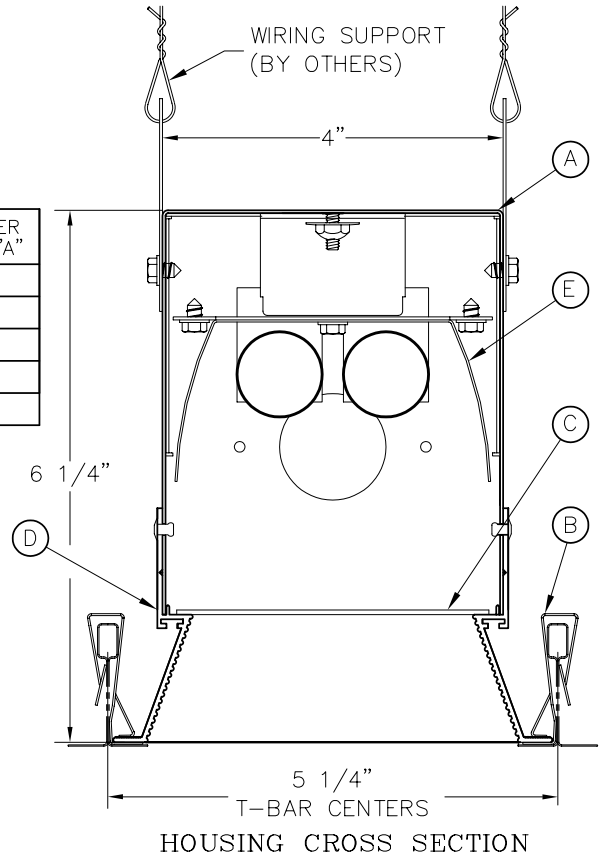
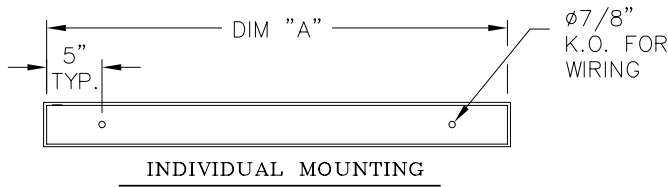
# P42 SERIES T-BAR (X1) INSTALLATION INSTRUCTIONS

1  **WARNING: GROUND FIXTURE IN ACCORDANCE WITH LOCAL AND NATIONAL CODES. FAILURE TO DO SO MAY RESULT IN SERIOUS PERSONAL INJURY.**

## GENERAL NOTES

- 1- REMOVE REFLECTOR FOR ACCESS TO BALLAST WIRES AND KNOCK OUTS.
- 2- PLACE TROFFER CLAMP APPROX. 6" FROM HOUSING END (SEE FIGURE 1). USE 4 CLAMPS PER HOUSING. LIFT HOUSING ABOVE T-BAR GRID AND LOWER IT DOWN UNTIL TROFFER CLAMPS SNAP ONTO GRID
- 3- MAKE ALL WIRE CONNECTIONS AND REPLACE ALL REFLECTORS. INSTALL LAMP(S) & LENS INTO HOUSING.

T-BAR CENTER DIMENSION "A"
24"
36"
48"
72"
96"



- (A) MODULAR HOUSING
- (B) TROFFER CLAMP
- (C) LENS
- (D) ALUMINUM FRAME
- (E) REFLECTOR

FIGURE 1

**NOTE:** ADDITIONAL SUPPORT TO STRUCTURAL MEMBER MAY BE REQUIRED. CHECK WITH LOCAL BUILDING CODES FOR REQUIREMENTS.



PRUDENTIAL LTG.

1774 EAST 21ST STREET L.A. CA 90058  
 WWW.PRULITE.COM  
 TEL. (213)746-0360 FAX (213)746-8838

DRAWN BY: G. ROMO  
 DATE: 11/25/08  
 CHK. DATE:

DWG. No. 42187

DISK No. ZB3  
 REV.