

P-42 SERIES HARD CEILING (X3) INSTALLATION INSTRUCTIONS

1  **WARNING: GROUND FIXTURE IN ACCORDANCE WITH LOCAL AND NATIONAL ELECTRICAL CODES. FAILURE TO DO SO MAY RESULT IN SERIOUS PERSONAL INJURY.**

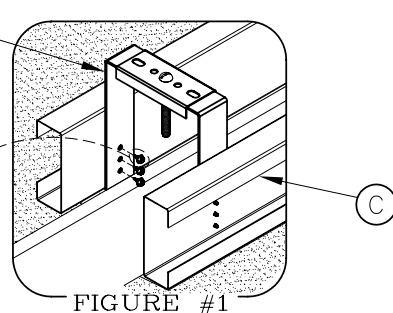
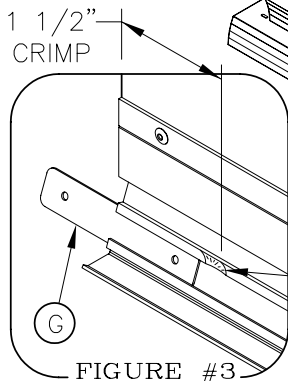
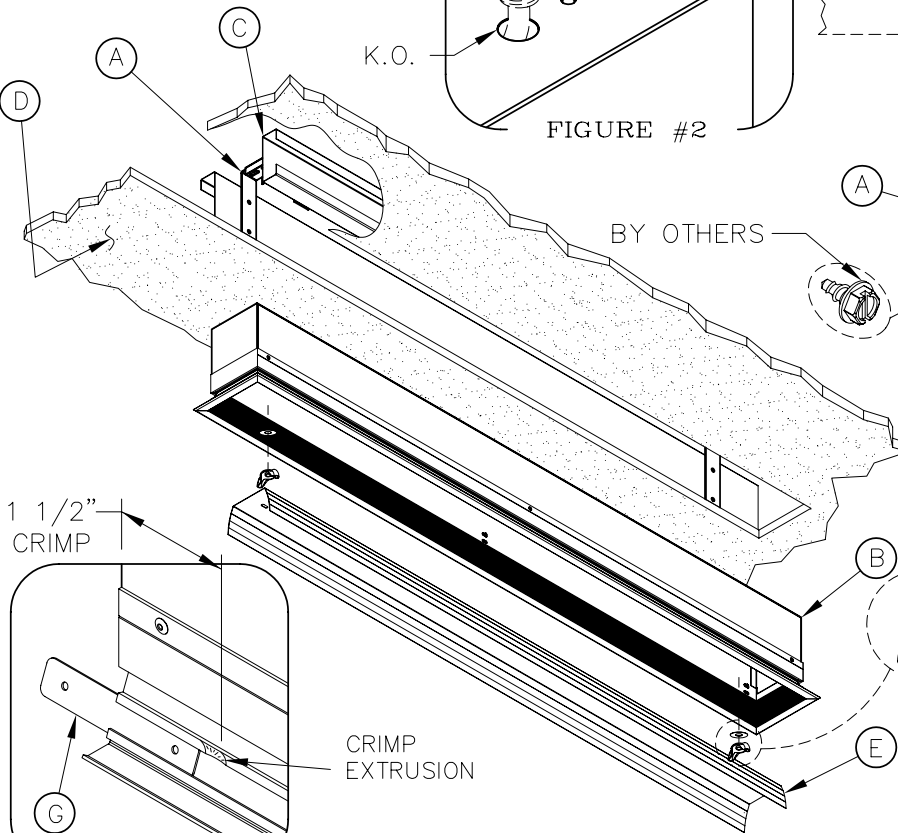
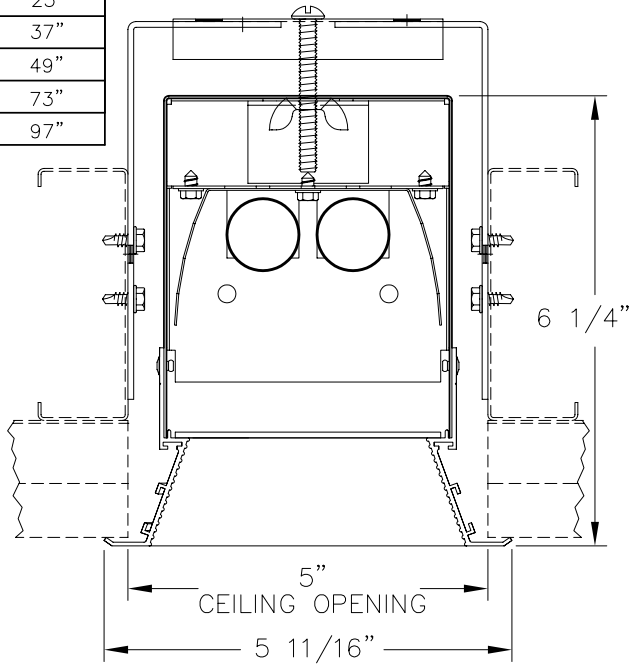
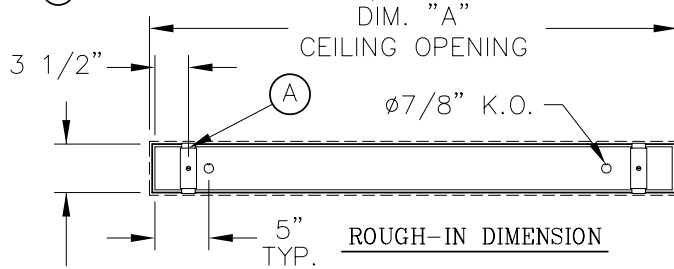
CEILING PREPARATION

- CUT CEILING OPENING TO DIMENSIONS SPECIFIED (SEE ROUGH-IN DIMS.) AND SCREW (A) MOUNTING BRACKETS (C) ONTO METAL STUDS (FIG. #1) OR CEILING JOISTS.
- REMOVE (E) REFLECTOR FROM FIXTURE.
- PULL SUPPLY WIRES THROUGH K.O. INTO THE FIXTURE (FIG. #2) & MOUNT THE FIXTURE TO (A) BRACKETS & SECURE W/ WING NUTS.

4. MAKE ALL WIRE CONNECTIONS AND REPLACE ALL REFLECTORS. INSTALL LAMP(S) & SNAP ALL LENS, OR LOUVERS INTO HOUSING.

5. ROWS: CRIMP FLANGE AND INSERT ALIGNER SPLINES (FIG. #3) BEFORE MOUNTING THE 2nd FIXTURE TO (A) BRACKETS.

FIXTURE	DIM. "A"
24"	25"
36"	37"
48"	49"
72"	73"
96"	97"



PICTORIAL VIEW

- (A) MOUNTING BRACKET
- (B) MODULAR HOUSING
- (C) METAL STUD OR CEILING JOIST
- (D) FINISH CEILING SURFACE
- (E) REFLECTOR
- (F) 1/4" FENDER WASHER
1/4 - 20 WING NUT
- (G) ALIGNER SPLINE (ROWS ONLY)



PRUDENTIAL LTG.

1774 EAST 21ST STREET L.A. CA 90058
WWW.PRULITE.COM
TEL. (213)746-0360 FAX (213)746-8838

DRAWN BY:
G. ROMO

DATE
01/27/09

DWG. No.

42190

DISK No.
ZB3

REV.

CHK. DATE