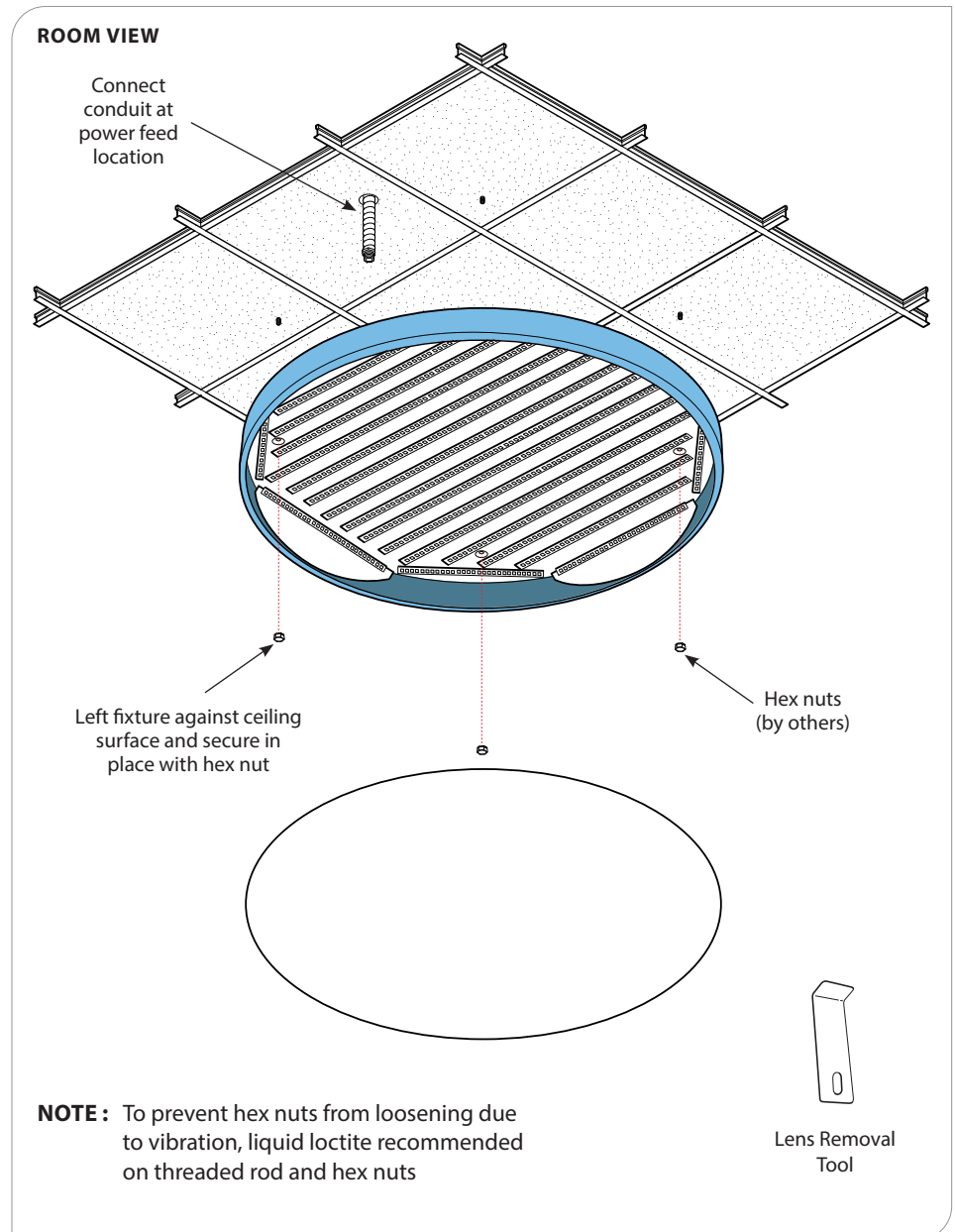
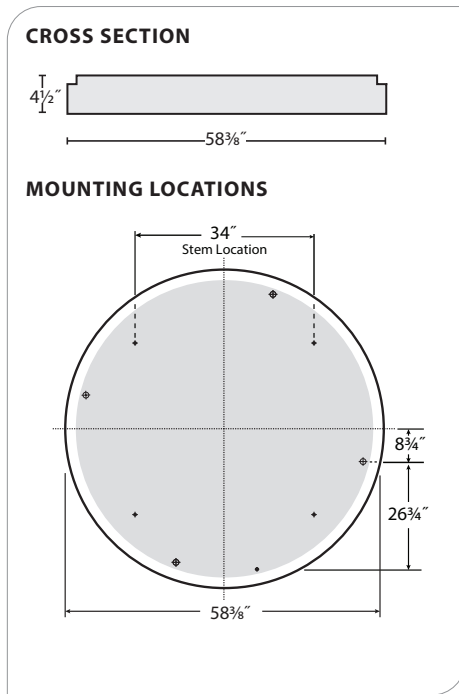




INSTALLATION INSTRUCTIONS

X1 T-BAR SURFACE MOUNT



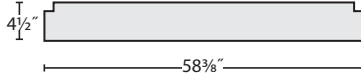
WARNING: Ground fixture in accordance with local and national electrical codes. Failure to do so may result in serious personal injury. Fixture Installations should ONLY be done by a qualified licensed electrical professional.



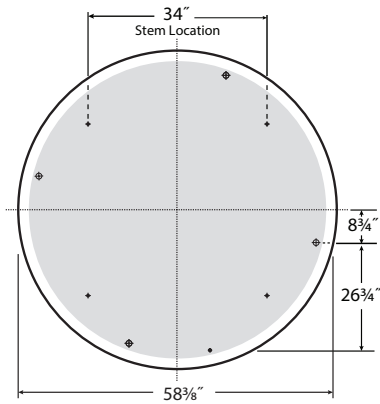
INSTALLATION INSTRUCTIONS

X1 T-BAR SURFACE MOUNT

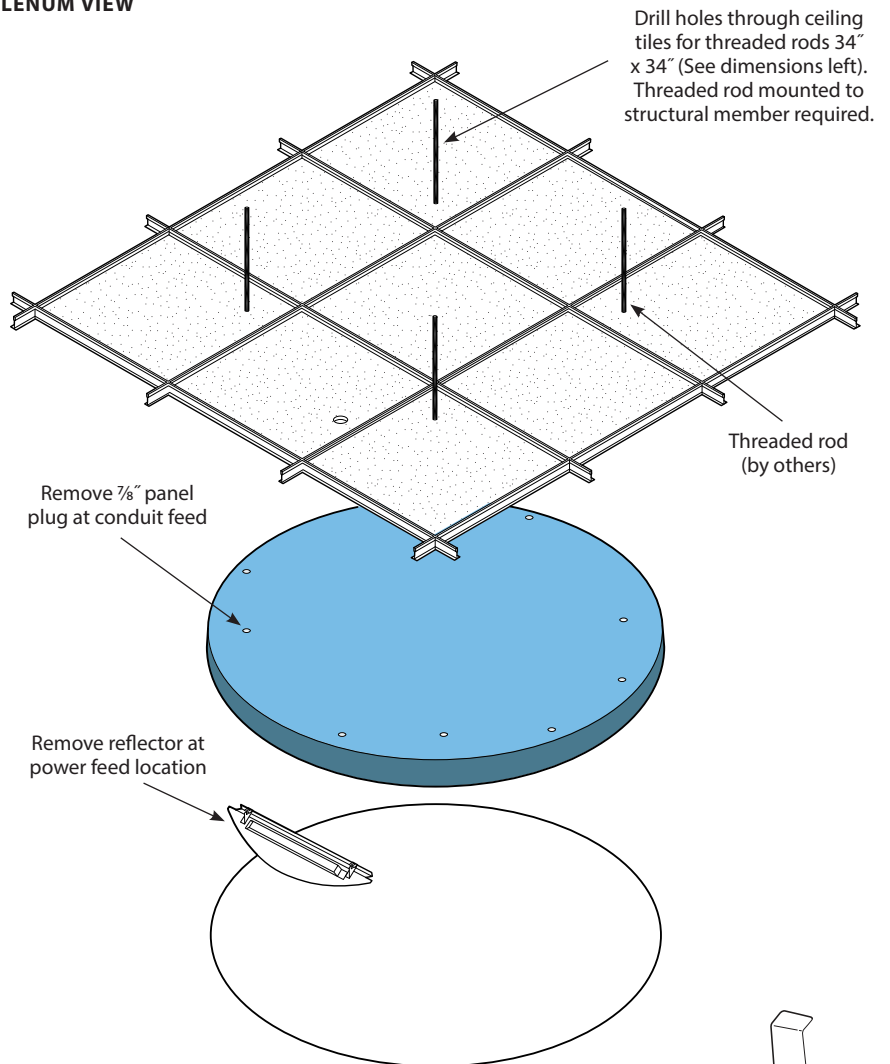
CROSS SECTION



MOUNTING LOCATIONS



PLENUM VIEW



NOTE: Do not rely on t-bar for support of fixture. Due to weight of 106 lbs. Fixture must be supported by threaded rod through ceiling tiles fastened to structural deck above unstrut tied to structural member.



Lens Removal Tool

WARNING: Ground fixture in accordance with local and national electrical codes. Failure to do so may result in serious personal injury. Fixture Installations should ONLY be done by a qualified licensed electrical professional.