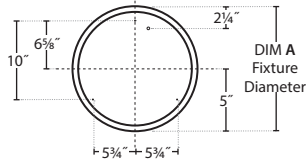




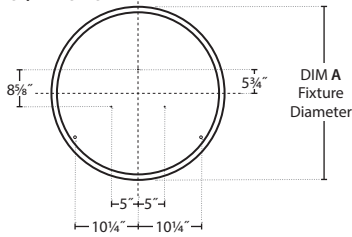
## INSTALLATION INSTRUCTIONS

### X1 T-BAR SURFACE MOUNT

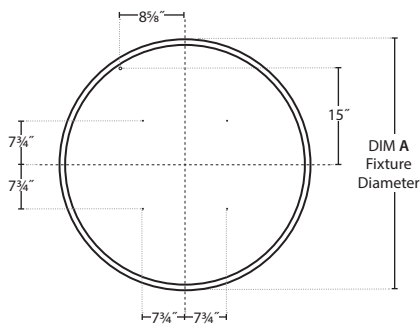
#### BACK PLAN : 3 BOLT HOLES P3918 / P4018



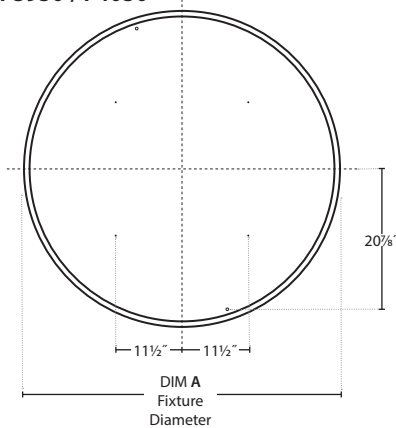
#### P3920 / P4020



#### P3930 / P4030



#### BACK PLAN : 4 BOLT HOLES P3930 / P4030



Model	Length	Model	Length
P3918	18 7/8"	P3930	37 5/8"
P4018	18 1/8"	P4030	37"
P3920	26 3/4"	P3940	48 7/16"
P4020	26"	P4040	47 1/2"

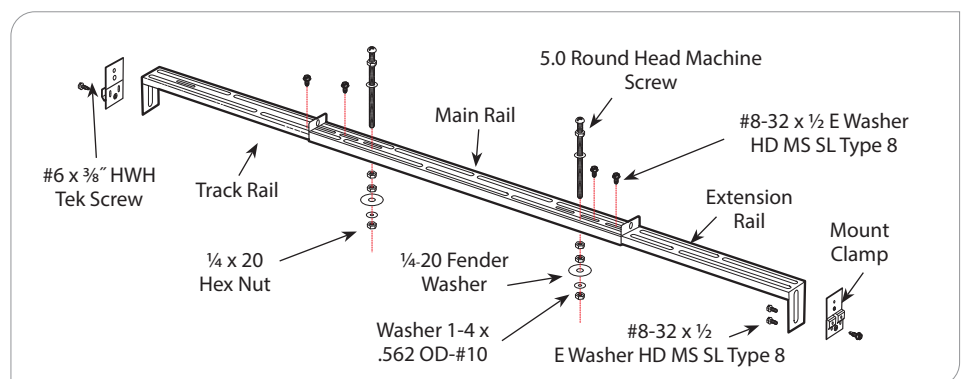
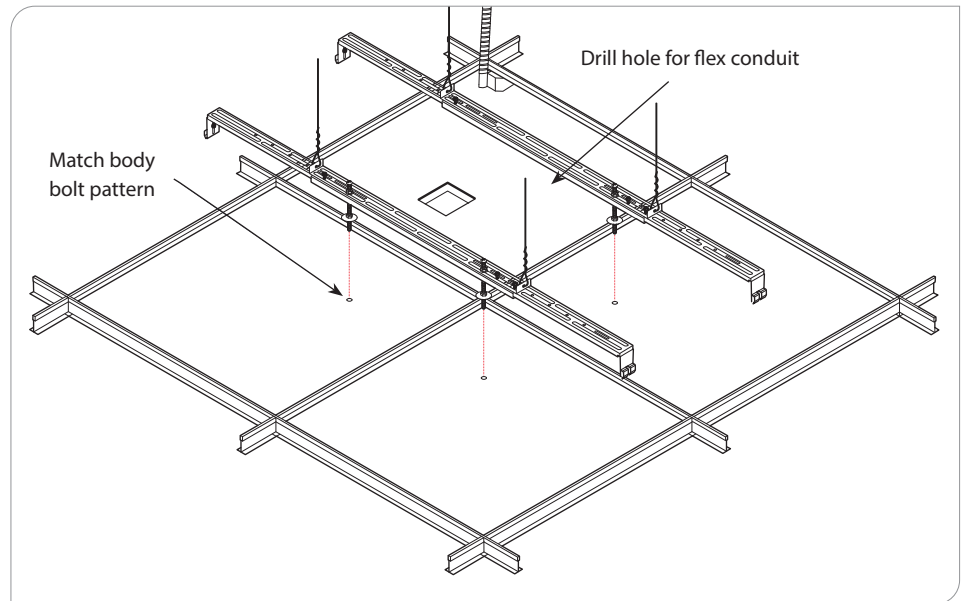
### PARTS LIST

101959	T-Bar Surface Mount Main Rail	2	101977	T-Bar Surface Mount Clamp	4
101961	T-Bar Surface Mount Track Rail	2	100-00037-14	#6 x 3/8" HWH Tek Screw	4
101960	T-Bar Surface Mount Extension Rail	2	100-00008-14	Washer 1-4 x .562 OD-#10	8
100-00035-14	#8-32 x 1/2" Washer HD MS SL Type F	8	100-00126-14	1/4-20 Fender Washer	4
100-00283-14	5.0 Round Head Machine Screw	4	82484	Lens Removal Tool	2
100-00012-14	1/4 x 20 Hex Nut	16			

### INSTALLATION

1. Measure the bolt hole patterns on back of round body.
2. Drill ceiling tiles into match hole pattern
3. 1/4-20 bolts provided require 3/8" minimum clearance holes drilled through ceiling tiles.
4. Extend support bracket assembly, 101962 to t-bar inside dimension.  
23 3/4", 47 3/4" bracket extends to 60" maximum

**NOTE:** 101962 Support bracket assembly required for a single fixture t-bar surface mount application

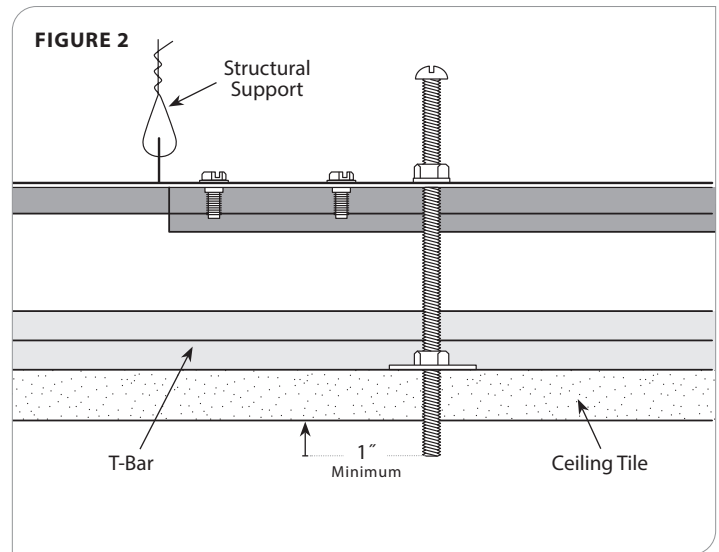
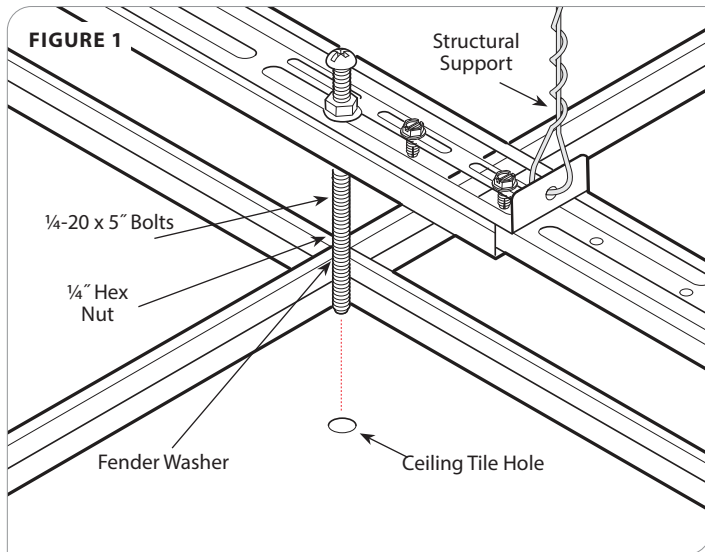


**WARNING:** Ground fixture in accordance with local and national electrical codes. Failure to do so may result in serious personal injury. Fixture installations should ONLY be done by a qualified licensed electrical professional.

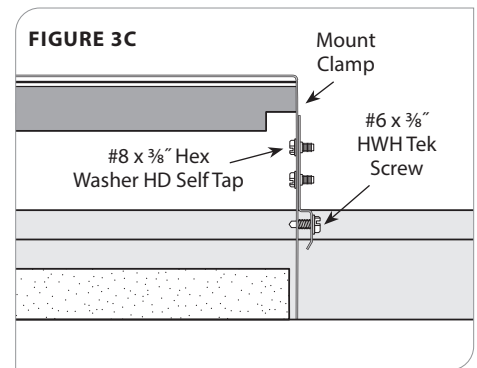
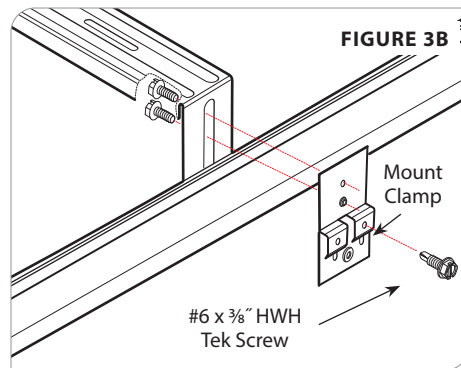
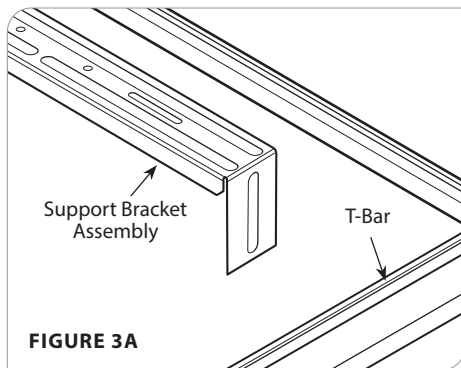


## INSTALLATION INSTRUCTIONS

### X1 T-BAR SURFACE MOUNT



1. Secure 1/4-20 x 5" bolts to support bracket assembly. Be sure bolts are aligned with mounting hole pattern on back of fixture.
2. Adjust fender washer against back of ceiling tile to prevent movement (Figure 1).
3. Be sure bolts project below ceiling tile with enough clearance for fixture wall, LED geartray and hex nut. Minimum 1" recommended (Figure 2).



4. Place support bracket assembly against inner wall of t-bar with clamps. (Figure 3A).
5. Secure bracket assembly to t-bar with clamps. (Figure 3B).
6. Drive self drilling screw through clamp and t-bar (Figure 3C).

**WARNING:** Ground fixture in accordance with local and national electrical codes. Failure to do so may result in serious personal injury. Fixture Installations should ONLY be done by a qualified licensed electrical professional.

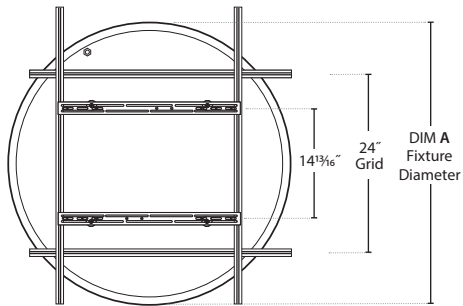


INSTALLATION INSTRUCTIONS

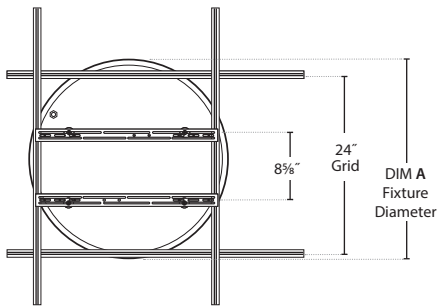
X1 T-BAR SURFACE MOUNT

2x2 GRID MOUNTS

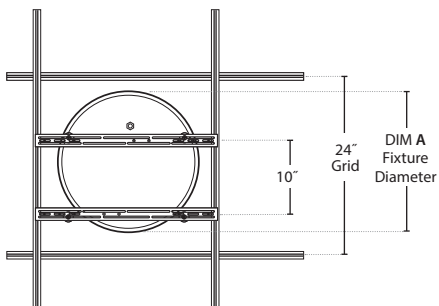
P3930 / P4030



P3920 / P4020

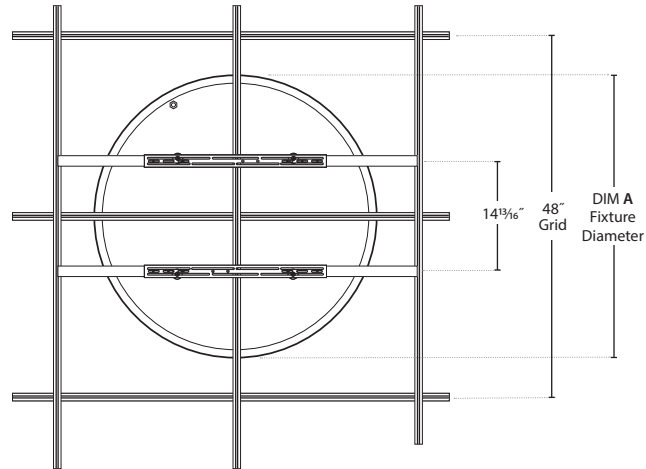


P3918 / P4018

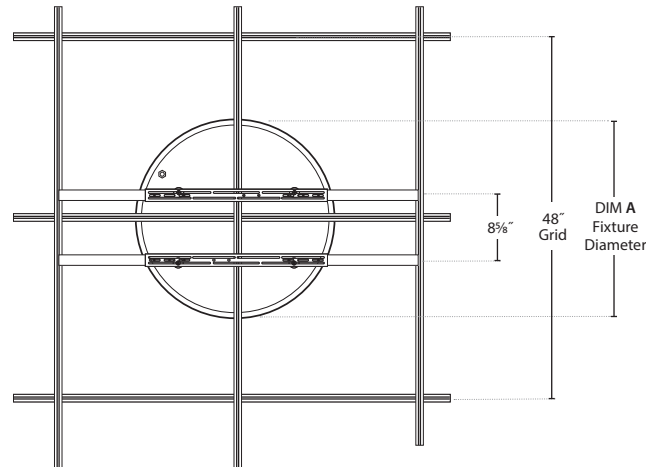


4x4 GRID MOUNT

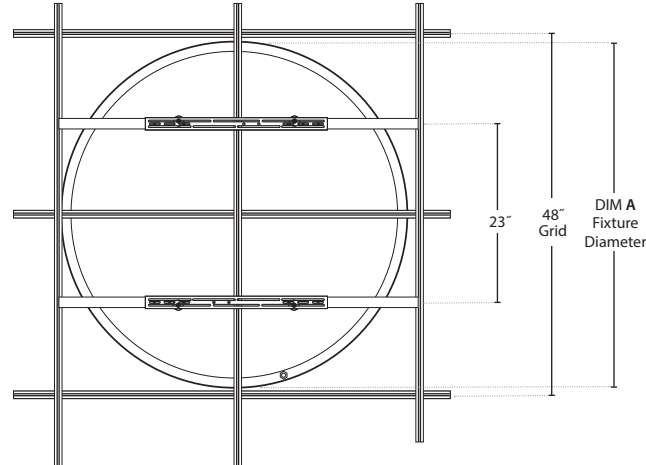
P3930 / P4030



P3920 / P4020



P3940 / P4040



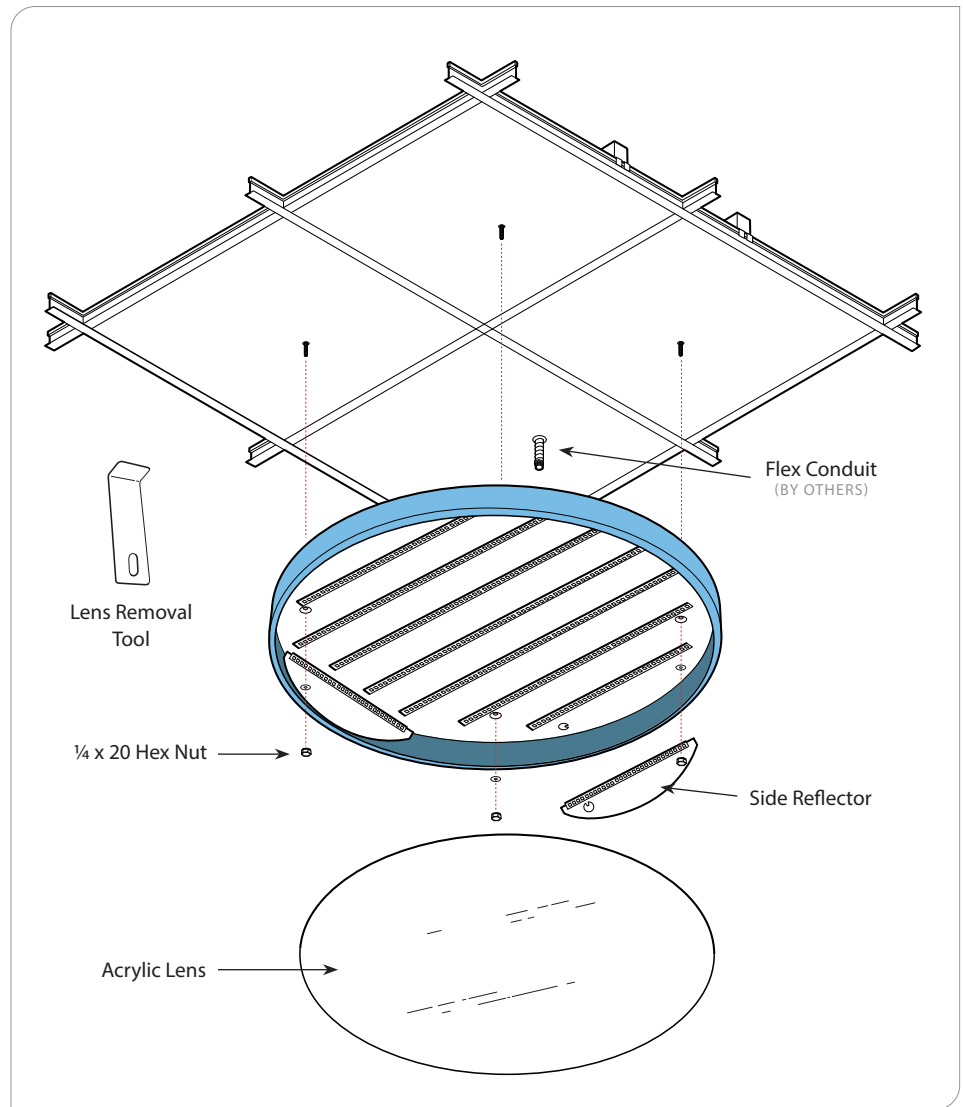
**WARNING:** Ground fixture in accordance with local and national electrical codes. Failure to do so may result in serious personal injury. Fixture Installations should ONLY be done by a qualified licensed electrical professional.



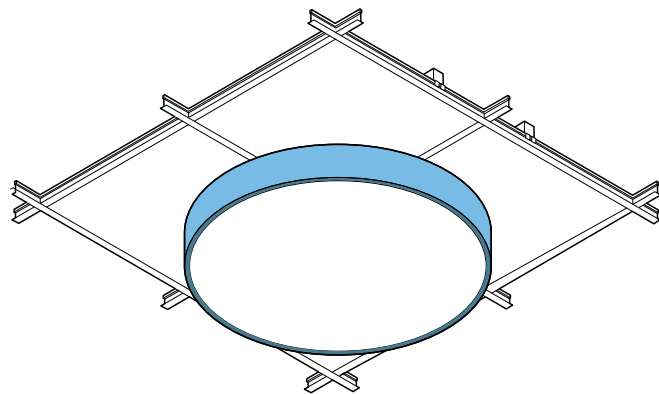
## INSTALLATION INSTRUCTIONS

### X1 T-BAR SURFACE MOUNT

1. Remove lens from fixture with lens removal tool.
2. Remove reflector under power feed K.O.
3. Attach flex conduit to  $\frac{3}{8}$ " K.O.
4. Lift fixture onto mounting bolts and secure to ceiling with No. 8 x  $\frac{7}{16}$ " O.D. washer and  $\frac{1}{4}$  x 20 hex nut.
5. Make all wiring connections.
6. Use lens removal tool to reinstall lens into fixture.



### FINISHED INSTALLATION:



**WARNING:** Ground fixture in accordance with local and national electrical codes. Failure to do so may result in serious personal injury. Fixture Installations should ONLY be done by a qualified licensed electrical professional.