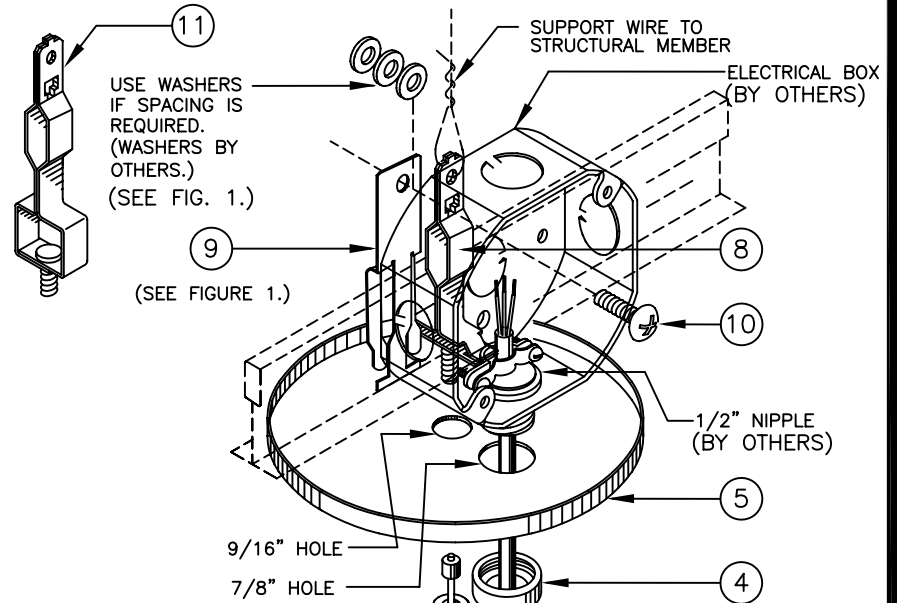
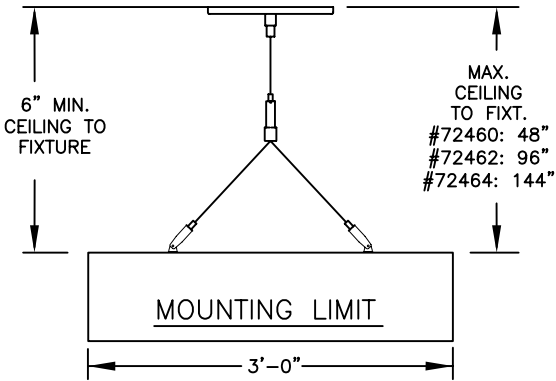


# P3630 MONO-2 POINT X1 MOUNTING INSTALLATION INSTRUCTIONS

## WARNING:

GROUND FIXTURE IN ACCORDANCE WITH LOCAL AND NATIONAL ELECTRICAL CODES. FAILURE TO DO SO MAY RESULT IN SERIOUS PERSONAL INJURY.



### ASSEMBLY NUMBER 72460 (48\"/>

SYM.	P/N	PART DESCRIPTION	QTY.
11	55323	I.D.S. 95 CLIP (SLOT GRID CEILING OPTION)	1
10	55175	1/4-20 X 3/4\"/>	
9	55350	ERICO CADDY A.T. CLIP	1
8	55322	I.D.S. CLIP (STANDARD)	1
7	53243	METAL STRAIN RELIEF BUSHING	1
6	53345	WHITE SNAP BUSHING	1
5	28975A	5-1/2\"/>	
4	53359	THREADED BUSHING	1
3	53360	WHITE UNIVERSAL BUSHING	1
2	53263	18 GA. 3 WIRE SJT CORD 6'	1
1	72448	COUPLER W/ 53\"/>	
		3 WAY CABLE ADAPTER	1
		1/4-20 KEPS LOCK NUT	2
		PIVOTING CABLE GLIDER	2

### ASSEMBLY NUMBER 72462 (96\"/>

SYM.	P/N	PART DESCRIPTION	QTY.
11	55323	I.D.S. 95 CLIP (SLOT GRID CEILING OPTION)	1
10	55175	1/4-20 X 3/4\"/>	
9	55350	ERICO CADDY A.T. CLIP	1
8	55322	I.D.S. CLIP (STANDARD)	1
7	53243	METAL STRAIN RELIEF BUSHING	1
6	53345	WHITE SNAP BUSHING	1
5	28975A	5-1/2\"/>	
4	53359	THREADED BUSHING	1
3	53360	WHITE UNIVERSAL BUSHING	1
2	53263	18 GA. 3 WIRE SJT CORD 6'	1
1	45487	COUPLER W/ 53\"/>	
		3 WAY CABLE ADAPTER	1
		1/4-20 KEPS LOCK NUT	2
		PIVOTING CABLE GLIDER	2

### ASSEMBLY NUMBER 72464 (144\"/>

SYM.	P/N	PART DESCRIPTION	QTY.
11	55323	I.D.S. 95 CLIP (SLOT GRID CEILING OPTION)	1
10	55175	1/4-20 X 3/4\"/>	
9	55350	ERICO CADDY A.T. CLIP	1
8	55322	I.D.S. CLIP (STANDARD)	1
7	53243	METAL STRAIN RELIEF BUSHING	1
6	53345	WHITE SNAP BUSHING	1
5	28975A	5-1/2\"/>	
4	53359	THREADED BUSHING	1
3	53360	WHITE UNIVERSAL BUSHING	1
2	43039	18 GA. 3 WIRE SJT CORD 10'	1
1	72449	COUPLER W/ 96\"/>	
		3 WAY CABLE ADAPTER	1
		1/4-20 KEPS LOCK NUT	2
		PIVOTING CABLE GLIDER	2

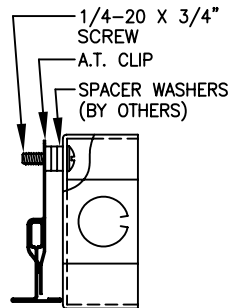
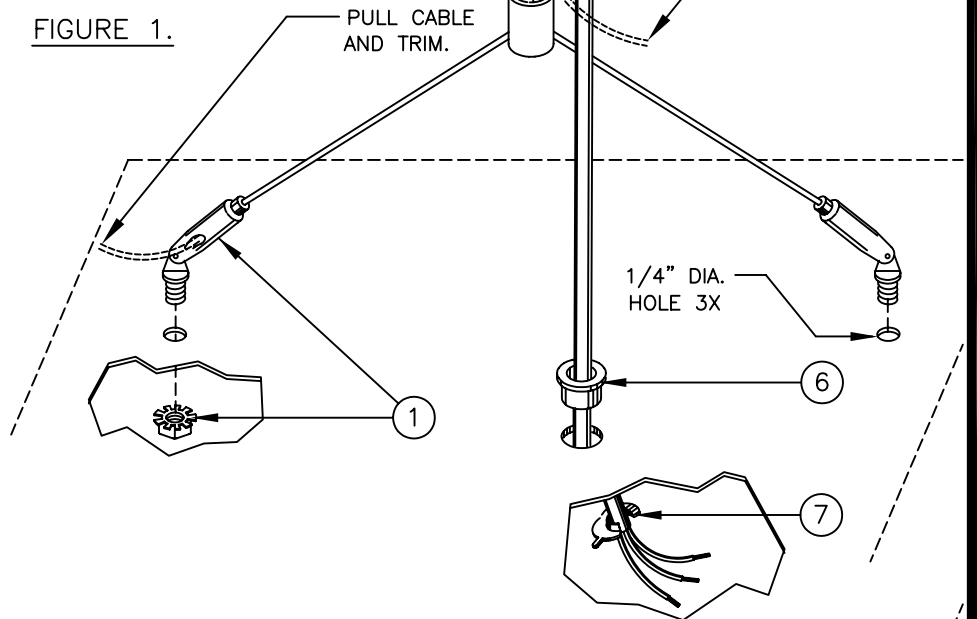


FIGURE 1.



1774 EAST 21ST STREET L.A. CA 90058  
 TEL. (213)746-0360 FAX (213)746-8838  
**PRUDENTIAL LTG.** WWW.PRULITE.COM

DRAWN BY:	DATE
CK	11/17/10
CHK.	DATE

DWG. No.	72460
	72462
	72464

DISK No.	
REV.	