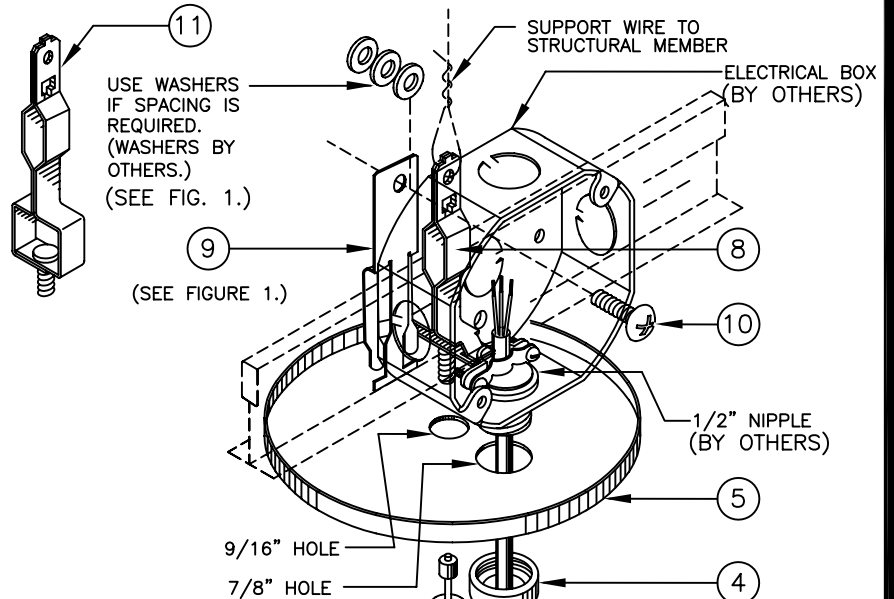
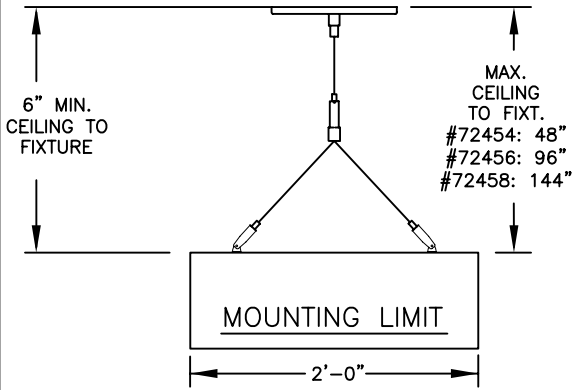


# P3620 MONO-2 POINT X1 MOUNTING INSTALLATION INSTRUCTIONS

## WARNING:

GROUND FIXTURE IN ACCORDANCE WITH LOCAL AND NATIONAL ELECTRICAL CODES. FAILURE TO DO SO MAY RESULT IN SERIOUS PERSONAL INJURY.



### ASSEMBLY NUMBER 72454 (48" CABLE) (2 PER FIXT.)

SYM.	P/N	PART DESCRIPTION	QTY.
11	55323	I.D.S. 95 CLIP (SLOT GRID CEILING OPTION)	1
10	55175	1/4-20 X 3/4" PHIL. TRUSS HD. SCREW	1
9	55350	ERICO CADDY A.T. CLIP	1
8	55322	I.D.S. CLIP (STANDARD)	1
7	53243	METAL STRAIN RELIEF BUSHING	1
6	53345	WHITE SNAP BUSHING	1
5	28975A	5-1/2" DIA. WHITE CANOPY	1
4	53359	THREADED BUSHING	1
3	53360	WHITE UNIVERSAL BUSHING	1
2	53263	18 GA. 3 WIRE SJT CORD 6'	1
1	57498	COUPLER W/ 53" CABLE	1
		3 WAY CABLE ADAPTER	1
		1/4-20 KEPS LOCK NUT	2
		PIVOTING CABLE GLIDER	2

### ASSEMBLY NUMBER 72456 (96" CABLE) (2 PER FIXT.)

SYM.	P/N	PART DESCRIPTION	QTY.
11	55323	I.D.S. 95 CLIP (SLOT GRID CEILING OPTION)	1
10	55175	1/4-20 X 3/4" PHIL. TRUSS HD. SCREW	1
9	55350	ERICO CADDY A.T. CLIP	1
8	55322	I.D.S. CLIP (STANDARD)	1
7	53243	METAL STRAIN RELIEF BUSHING	1
6	53345	WHITE SNAP BUSHING	1
5	28975A	5-1/2" DIA. WHITE CANOPY	1
4	53359	THREADED BUSHING	1
3	53360	WHITE UNIVERSAL BUSHING	1
2	53263	18 GA. 3 WIRE SJT CORD 6'	1
1	57497	COUPLER W/ 53" CABLE	1
		3 WAY CABLE ADAPTER	1
		1/4-20 KEPS LOCK NUT	2
		PIVOTING CABLE GLIDER	2

### ASSEMBLY NUMBER 72458 (144" CABLE) (2 PER FIXT.)

SYM.	P/N	PART DESCRIPTION	QTY.
11	55323	I.D.S. 95 CLIP (SLOT GRID CEILING OPTION)	1
10	55175	1/4-20 X 3/4" PHIL. TRUSS HD. SCREW	1
9	55350	ERICO CADDY A.T. CLIP	1
8	55322	I.D.S. CLIP (STANDARD)	1
7	53243	METAL STRAIN RELIEF BUSHING	1
6	53345	WHITE SNAP BUSHING	1
5	28975A	5-1/2" DIA. WHITE CANOPY	1
4	53359	THREADED BUSHING	1
3	53360	WHITE UNIVERSAL BUSHING	1
2	43039	18 GA. 3 WIRE SJT CORD 10'	1
1	72447	COUPLER W/ 96" CABLE	1
		3 WAY CABLE ADAPTER	1
		1/4-20 KEPS LOCK NUT	2
		PIVOTING CABLE GLIDER	2

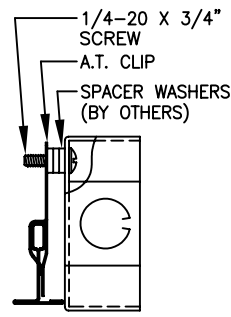
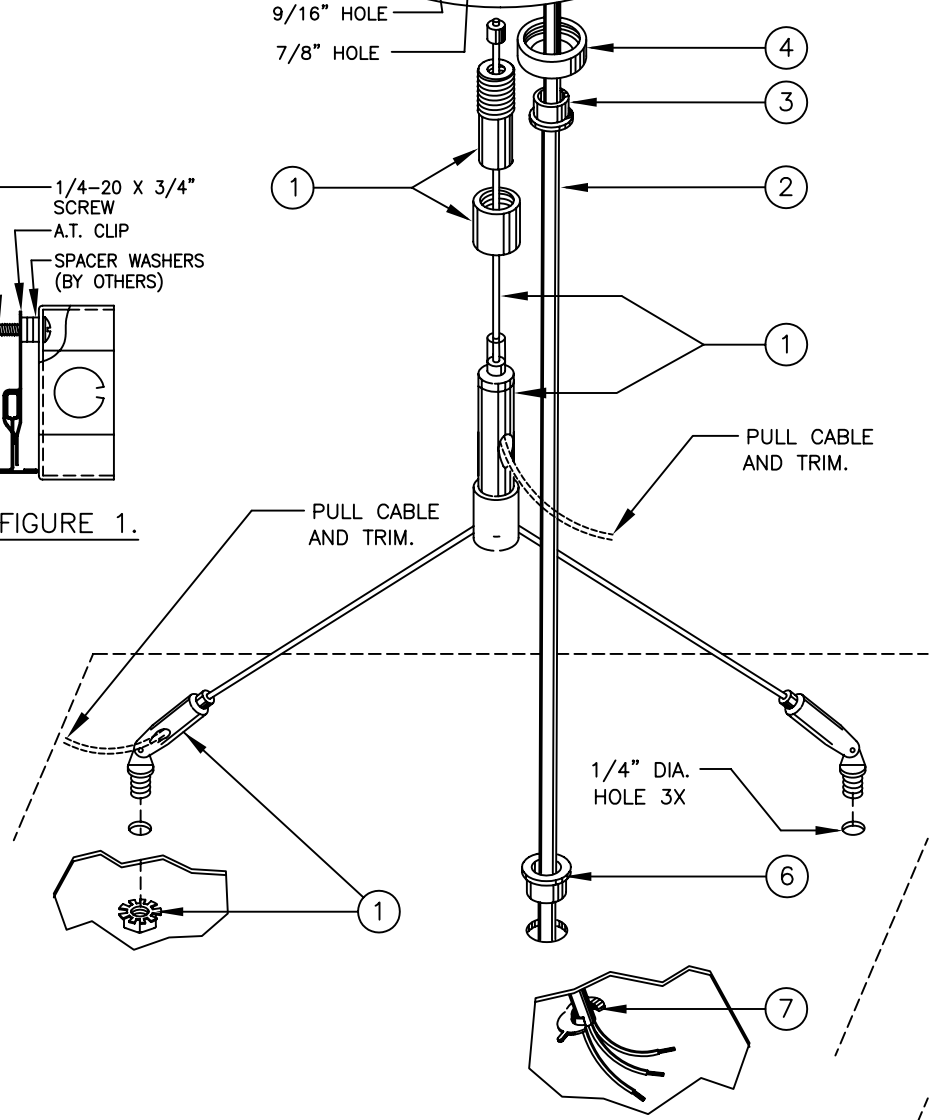


FIGURE 1.



1774 EAST 21ST STREET L.A. CA 90058  
 TEL. (213)746-0360 FAX (213)746-8838  
**PRUDENTIAL LTG.** WWW.PRULITE.COM

DRAWN BY: CK  
 DATE: 11/17/10  
 CHK. DATE:

DWG. No. 72454  
 72456  
 72458

DISK No.  
 REV.