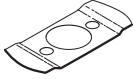







## INSTALLATION INSTRUCTIONS

### X3 (SURFACE MOUNT)

PARTS LIST	PART NO.	DESCRIPTION
	101732	Surface Mount Ceiling Plate
	100-00084-14	Washer #8 x 7/16" O.D.
	100-00047-14	#8-32 x 3/8" Hex Washer Head SL Self Tap Screw
	91065	X3 Surface Mount Plaster Plate

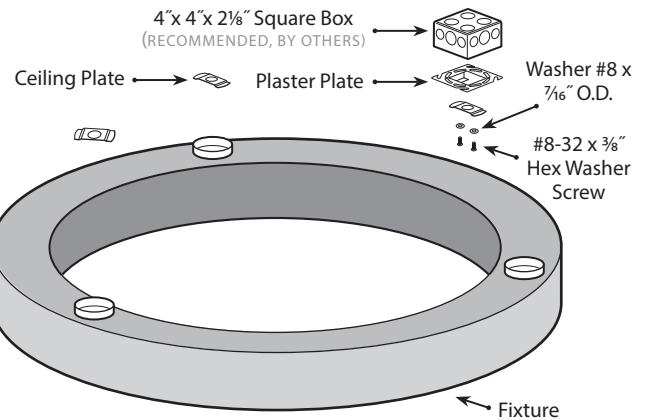
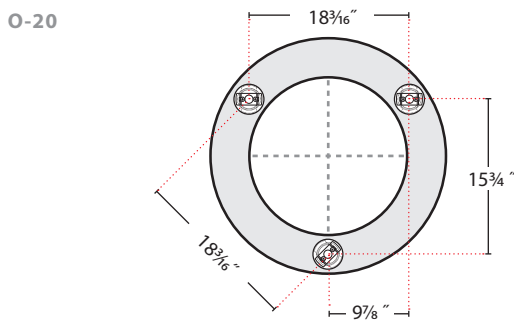
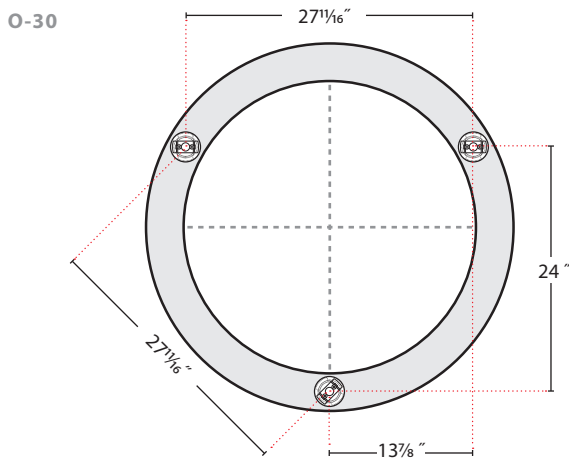
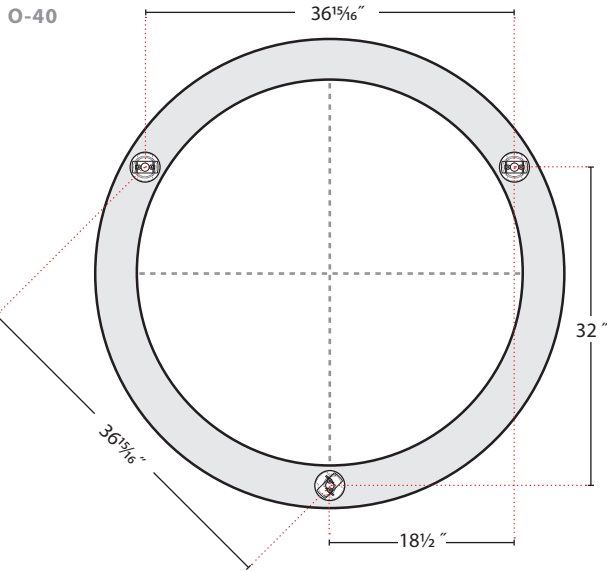
**WARNING:** Ground fixture in accordance with local and national electrical codes. Failure to do so may result in serious personal injury. Fixture Installations should ONLY be done by a qualified licensed electrical professional.



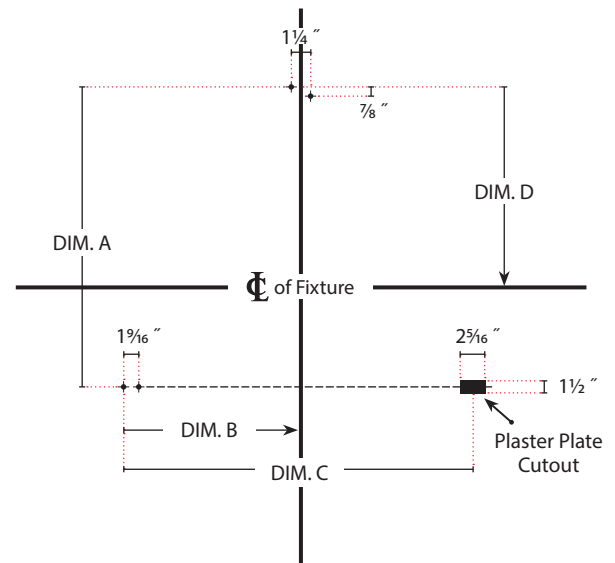
## INSTALLATION INSTRUCTIONS

### X3 (SURFACE MOUNT)

#### SURFACE MOUNT DIMENSIONS:



#### REFLECTED CEILING PLAN — DRILL PATTERNS:



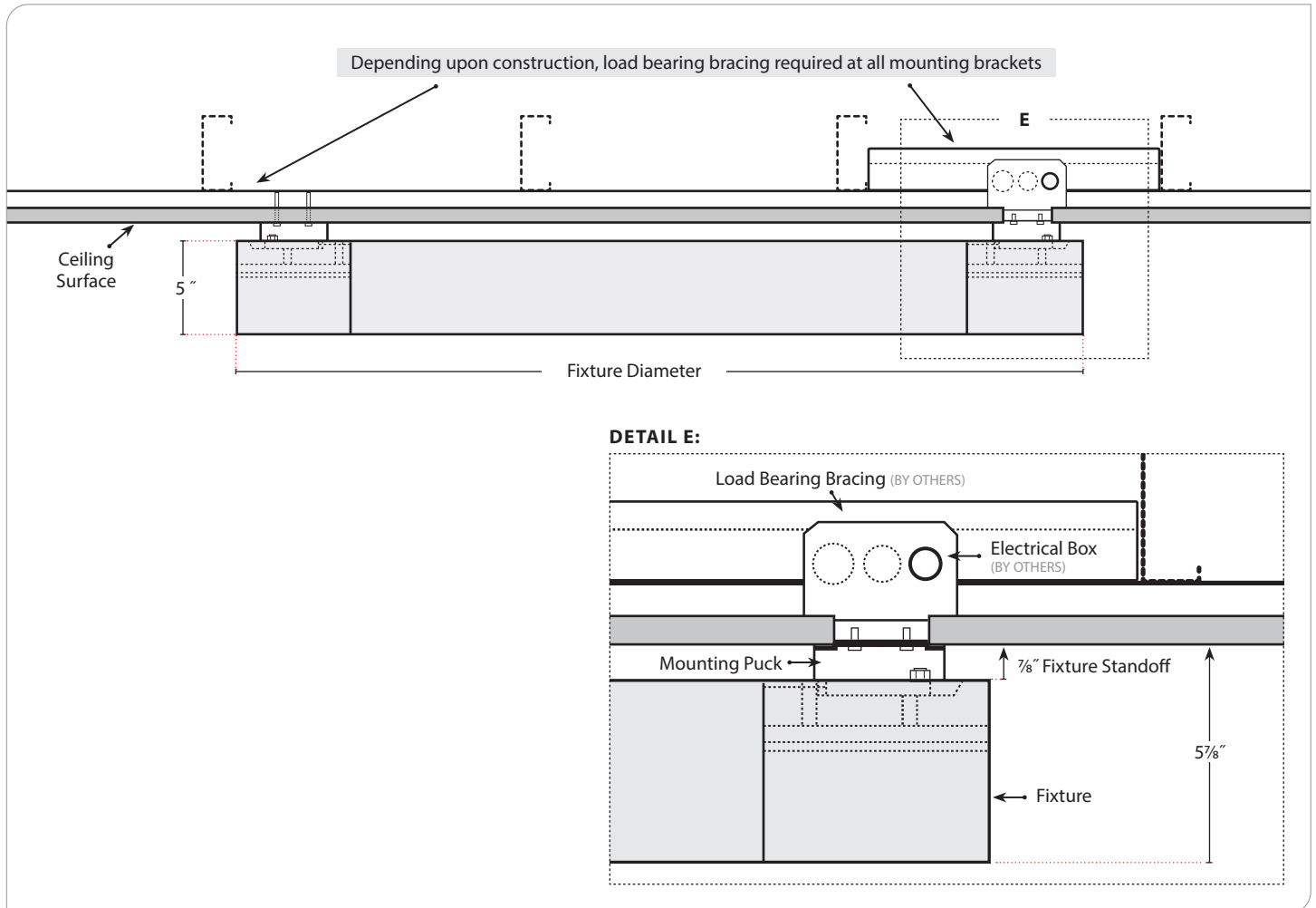
FIXTURE SIZE	DIM. A.	DIM. B.	DIM. C.	DIM. D.
O20	15 <sup>3</sup> / <sub>4</sub> "	9 <sup>7</sup> / <sub>8</sub> "	19"	10 <sup>1</sup> / <sub>2</sub> "
O30	24"	13 <sup>7</sup> / <sub>8</sub> "	28 <sup>1</sup> / <sub>2</sub> "	16"
O40	32"	18 <sup>1</sup> / <sub>2</sub> "	37 <sup>7</sup> / <sub>8</sub> "	21 <sup>5</sup> / <sub>16</sub> "

**WARNING:** Ground fixture in accordance with local and national electrical codes. Failure to do so may result in serious personal injury. Fixture installations should ONLY be done by a qualified licensed electrical professional.



## INSTALLATION INSTRUCTIONS

### X3 (SURFACE MOUNT)



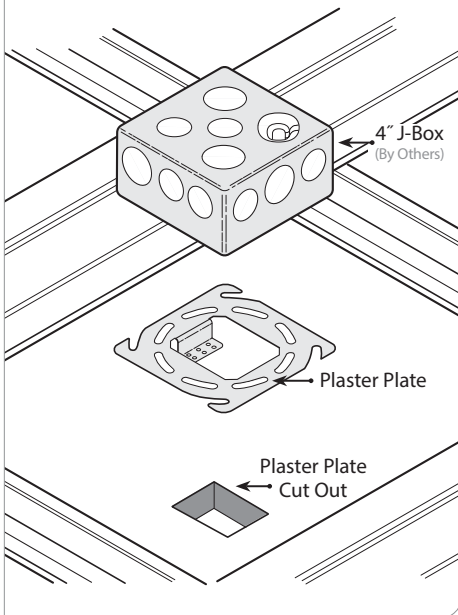
**WARNING:** Ground fixture in accordance with local and national electrical codes. Failure to do so may result in serious personal injury. Fixture Installations should ONLY be done by a qualified licensed electrical professional.



## INSTALLATION INSTRUCTIONS

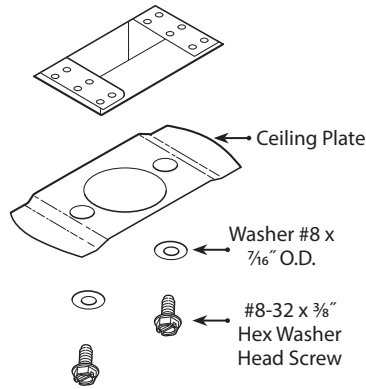
### X3 (SURFACE MOUNT)

#### 1) ATTACH PLASTER PLATE TO ELECTRICAL BOX.



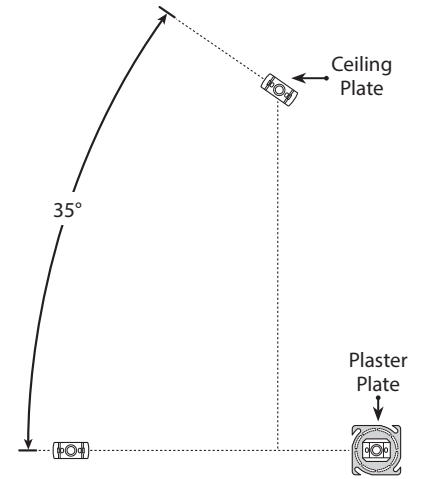
#### 2) ATTACH CEILING PLATE TO PLASTER PLATE.

Screw ceiling plate to plaster plate with hardware provided. Be sure ceiling plate is parallel with bracket on opposite side.



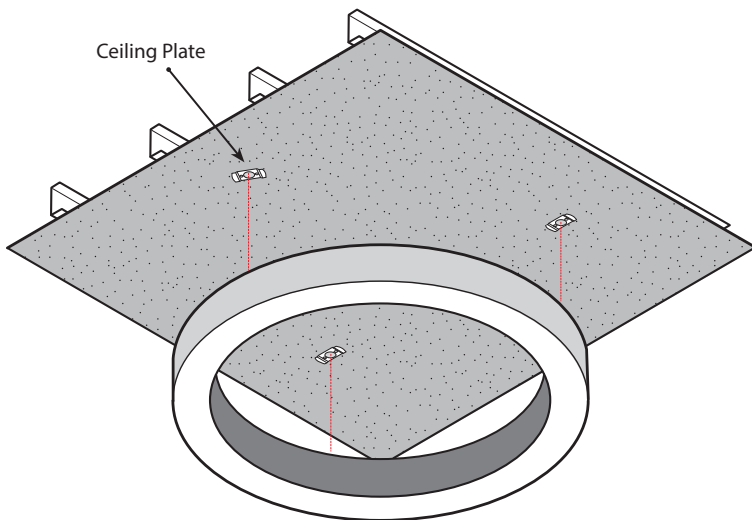
#### 3) CEILING BRACKET REFLECTED PLAN VIEW.

Screw ceiling brackets to ceiling surface. Two brackets should be mounted parallel to each other. Third bracket should be angled approximately 35° from other brackets.

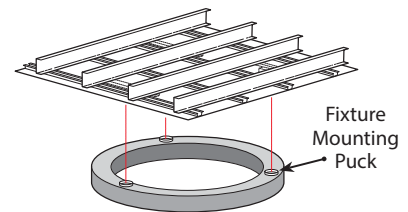


#### 4) MOUNTING FIXTURE TO CEILING SURFACE.

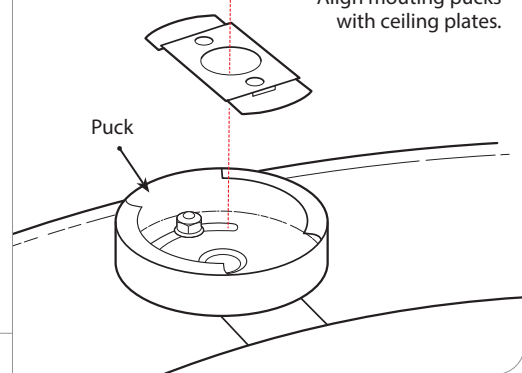
Elevate fixture to ceiling surface. Align mounting pucks with ceiling plates.



#### ALTERNATIVE VIEW



Align mounting pucks with ceiling plates.

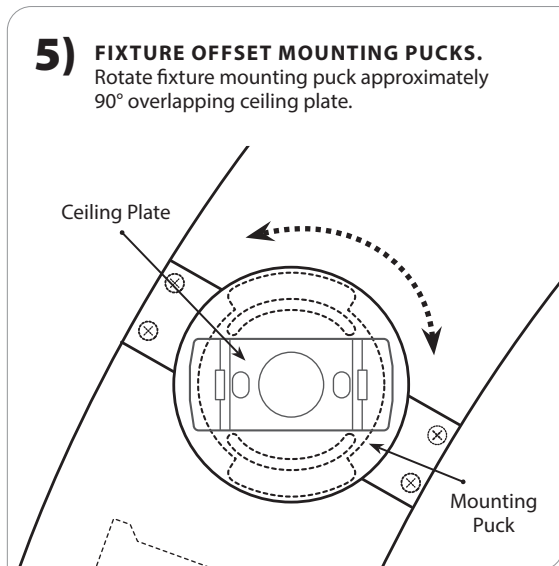
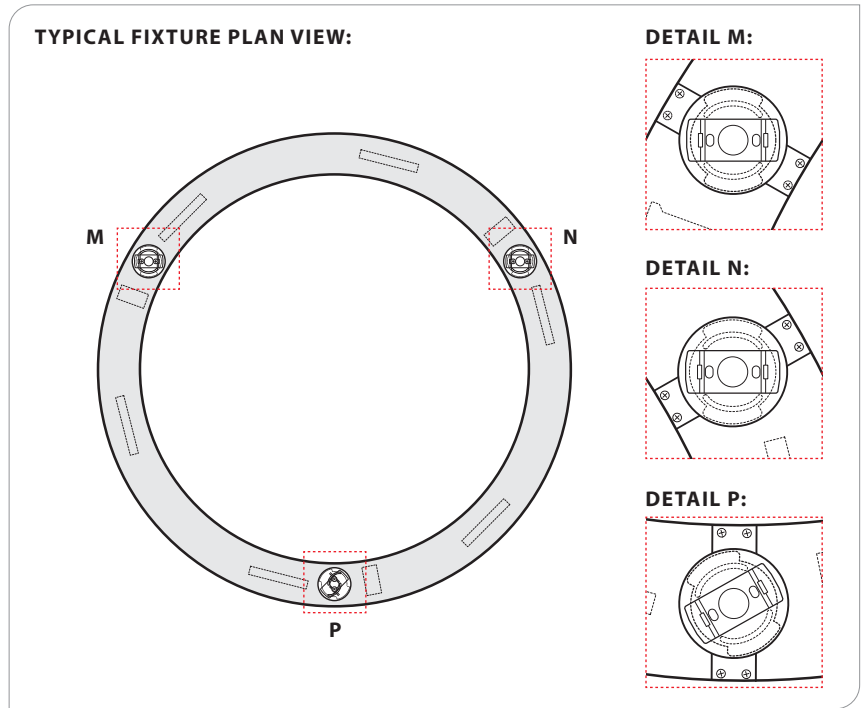
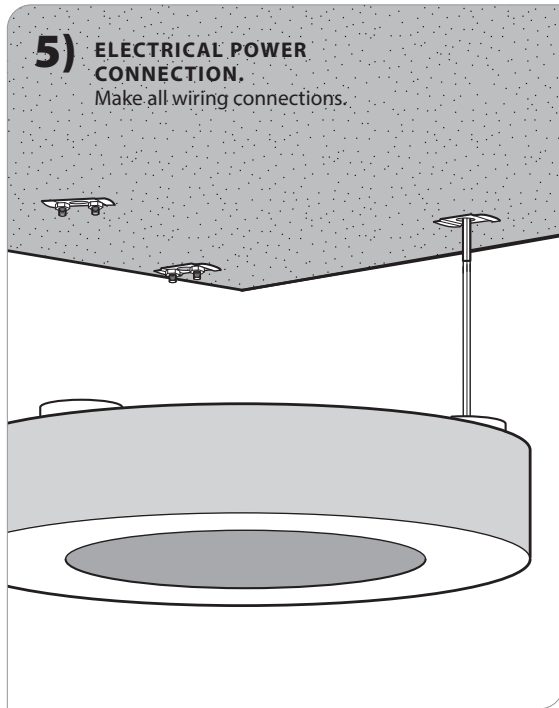


**WARNING:** Ground fixture in accordance with local and national electrical codes. Failure to do so may result in serious personal injury. Fixture installations should ONLY be done by a qualified licensed electrical professional.



## INSTALLATION INSTRUCTIONS

### X3 (SURFACE MOUNT)



#### WIRING:

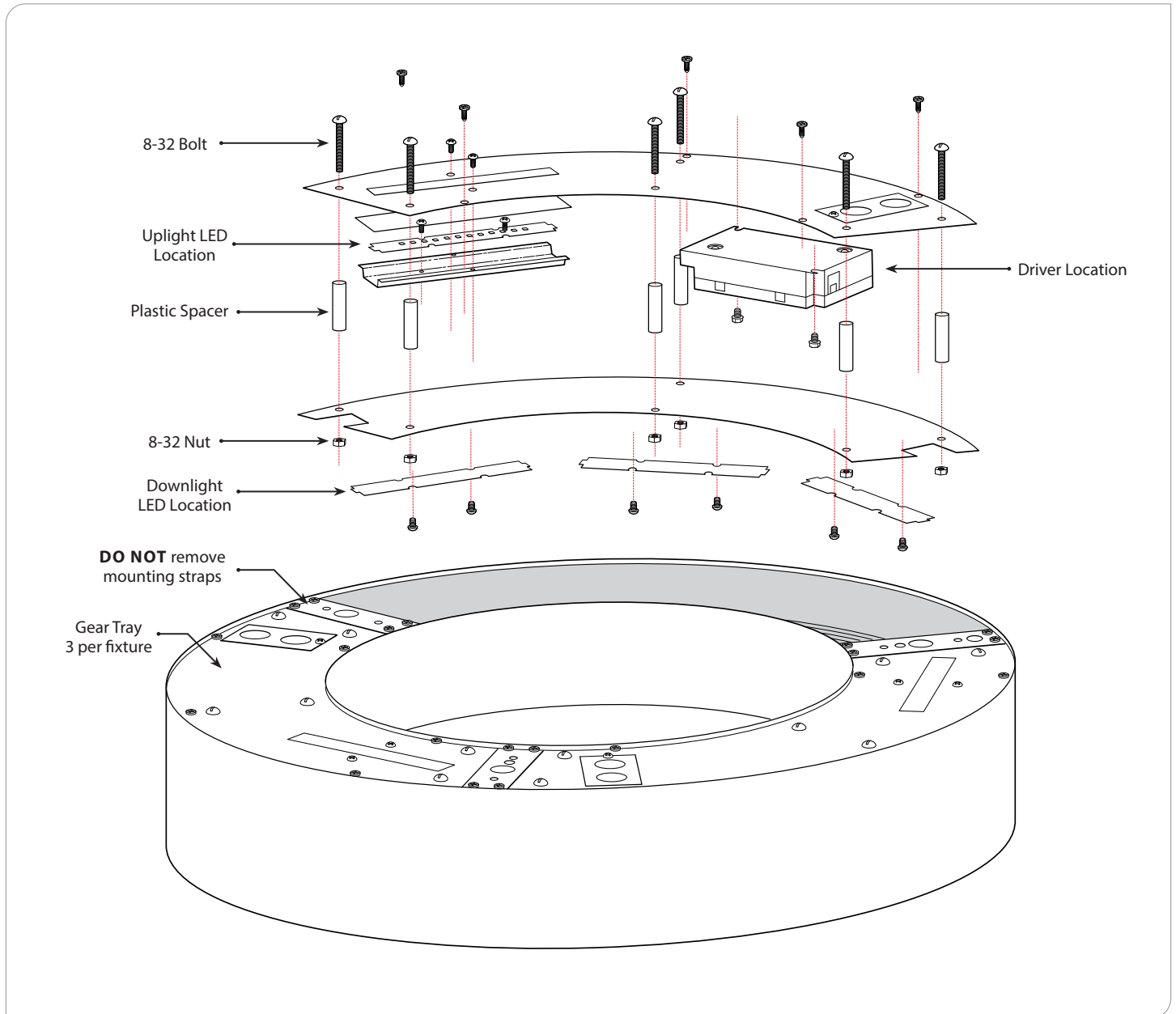
0-10V (+) : Purple	0-10V (-) : Grey
DALI (+) : Purple	DALI (-) : GREY
EcoSystem DALI (+) : Purple	EcoSystem DALI (-) : GREY
HOT : BLACK	
NEUTRAL : WHITE	
GROUND : GREEN	
CONSTANT HOT (EM) : RED	

**WARNING:** Ground fixture in accordance with local and national electrical codes. Failure to do so may result in serious personal injury. Fixture Installations should ONLY be done by a qualified licensed electrical professional.



## INSTALLATION INSTRUCTIONS

### LED & DRIVER MAINTENANCE



**WARNING:** Ground fixture in accordance with local and national electrical codes. Failure to do so may result in serious personal injury. Fixture Installations should ONLY be done by a qualified licensed electrical professional.