



INSTALLATION INSTRUCTIONS

X3 (HARD CEILING)

PARTS LIST	PART NO.	DESCRIPTION
------------	----------	-------------

FINISH PLATES

INSTALLED ON INDIVIDUALS / SHIPPED SEPARATELY ON ROWS

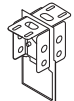


111761 Square

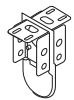


111762 Round

ALIGNERS / JOINERS:



111763 Square



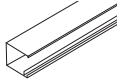
111762 Round



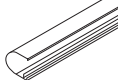
100-00021-14 #8 x 1/4" Pan Head Sheet Metal Screw (SHIPPED SEPARATELY ON ROWS)

LENSES

INSTALLED ON INDIVIDUALS / SHIPPED SEPARATELY ON ROWS



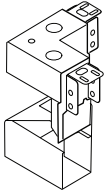
Square



Round

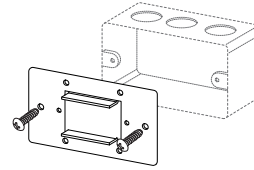
CORNER BOX & SNAP ON COVER:

SHIPPED SEPARATELY

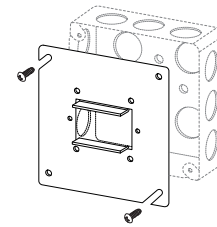


EBCP ELECTRICAL BOX COVER (OPTIONAL)

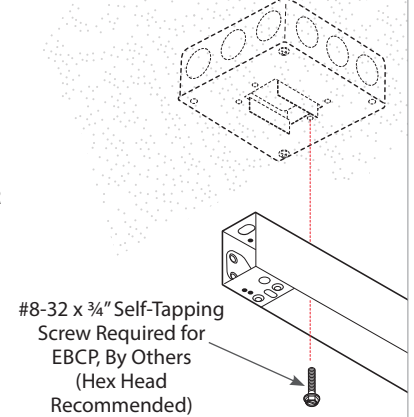
7/8" Dia. K.O. will accommodate 2"x 4" or 4"x 4" J-Box (by others)



1G: SINGLE GANG COVER

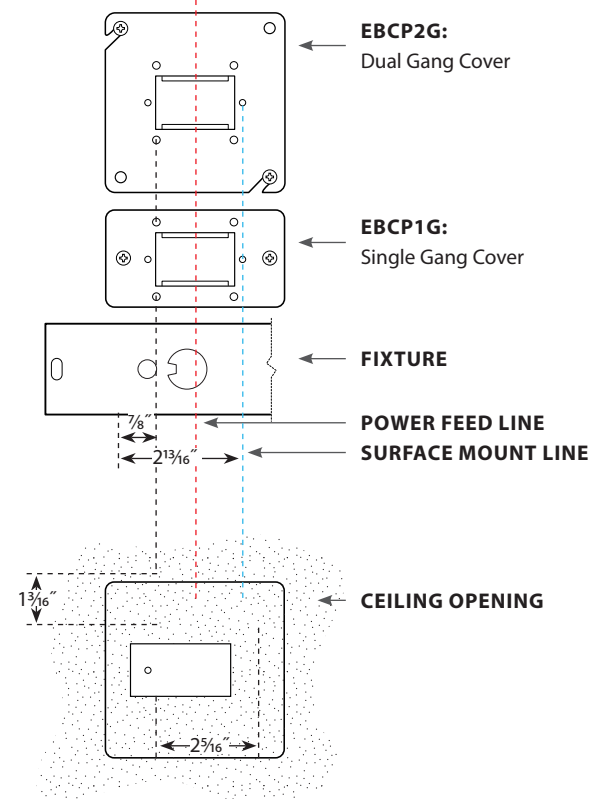


2G: DUAL GANG COVER



#8-32 x 3/4" Self-Tapping Screw Required for EBCP, By Others (Hex Head Recommended)

EBCP DETAILS



WARNING: Ground fixture in accordance with local and national electrical codes. Failure to do so may result in serious personal injury. Fixture Installations should ONLY be done by a qualified licensed electrical professional.

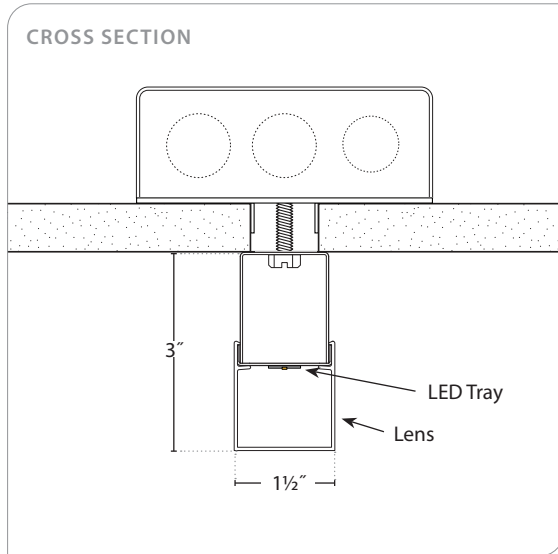


INSTALLATION INSTRUCTIONS

X3 (HARD CEILING)

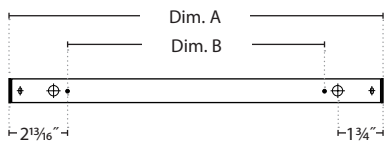
GENERAL INSTALLATION

- See row diagram or prudential Lighting plan layout (if provided). Begin all row mounting from left to right (see arrows).
- Depending upon ceiling construction structural support may be required at mounting hole locations.



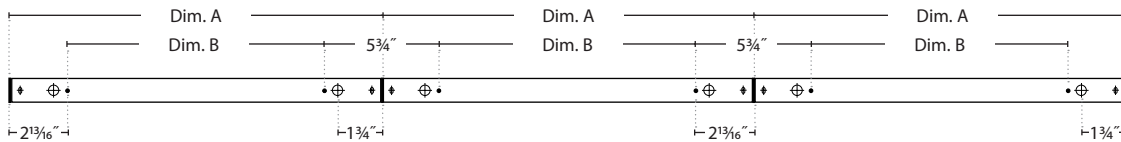
MOUNTING LOCATIONS

INDIVIDUAL: **ROW DIRECTION: INSTALL FROM LEFT TO RIGHT**



⊕ = 7/8" Diameter K.O.
• = 1/4" Diameter Mounting Hole

ROW:



SURFACE MOUNT DIMENSIONS

Length	Dim. A	Dim. B
2'	24"	18 3/8"
3'	36"	30 3/8"
4'	48"	42 3/8"
5'	60"	54 3/8"
6'	72"	66 3/8"
7'	84"	78 3/8"
8'	96"	90 3/8"

WARNING: Ground fixture in accordance with local and national electrical codes. Failure to do so may result in serious personal injury. Fixture Installations should ONLY be done by a qualified licensed electrical professional.



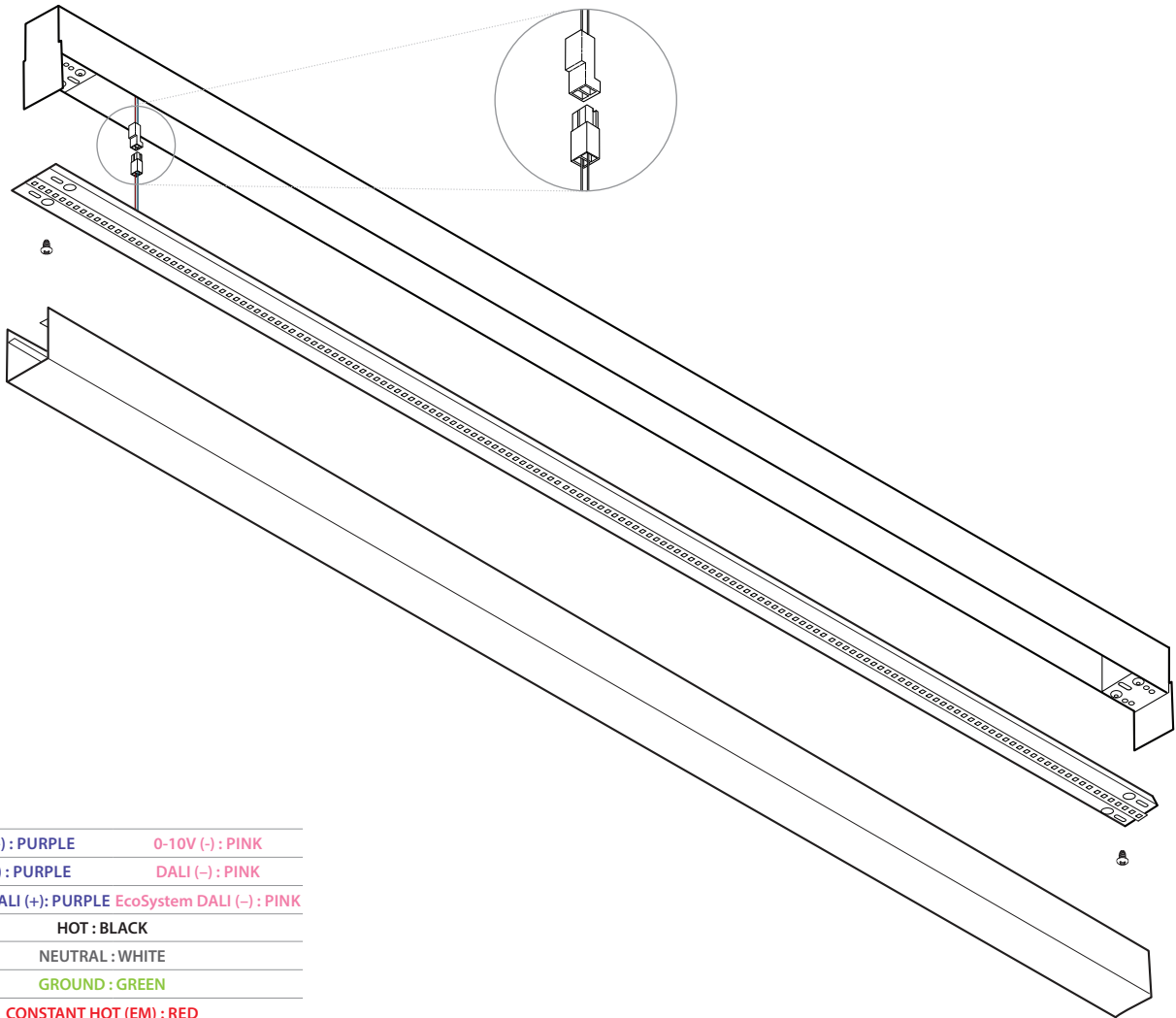
INSTALLATION INSTRUCTIONS

X3 (HARD CEILING)

INDIVIDUAL

1. Remove Lens from fixture.
2. Unscrew LED tray from body and remove the LED tray by unplugging the LED lead wire disconnects on first fixture, remove LED Tray (figure 1).
3. Mount fixture to ceiling surface through ¼" diameter holes (mounting hardware provided by others) & make all electrical connections from ceiling to fixture (figure 3, page 6). For fixtures with internal EM drivers, **DO NOT** plug the connectors until after normal power has been applied to the fixture.
4. Re-install reflectors. Ensure no wires are pinched between trays and housing to avoid electrical and alignment issues.

FIGURE 1



WIRING:

0-10V (+) : PURPLE	0-10V (-) : PINK
DALI (+) : PURPLE	DALI (-) : PINK
EcoSystem DALI (+) : PURPLE	EcoSystem DALI (-) : PINK
HOT : BLACK	
NEUTRAL : WHITE	
GROUND : GREEN	
CONSTANT HOT (EM) : RED	

WARNING: Ground fixture in accordance with local and national electrical codes. Failure to do so may result in serious personal injury. Fixture Installations should ONLY be done by a qualified licensed electrical professional.



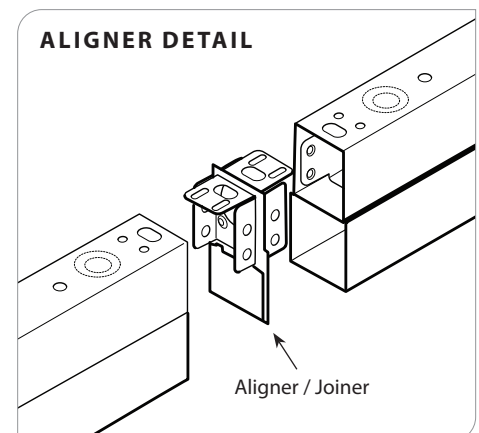
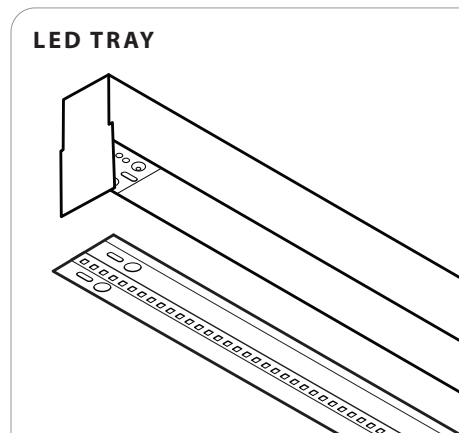
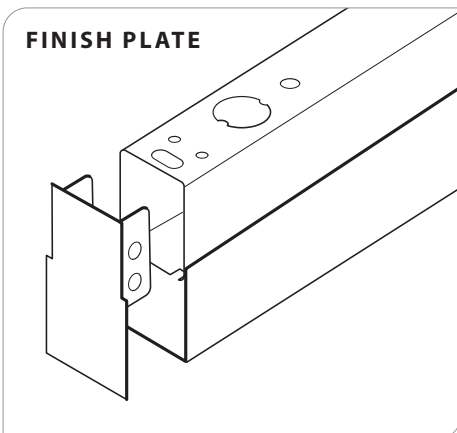
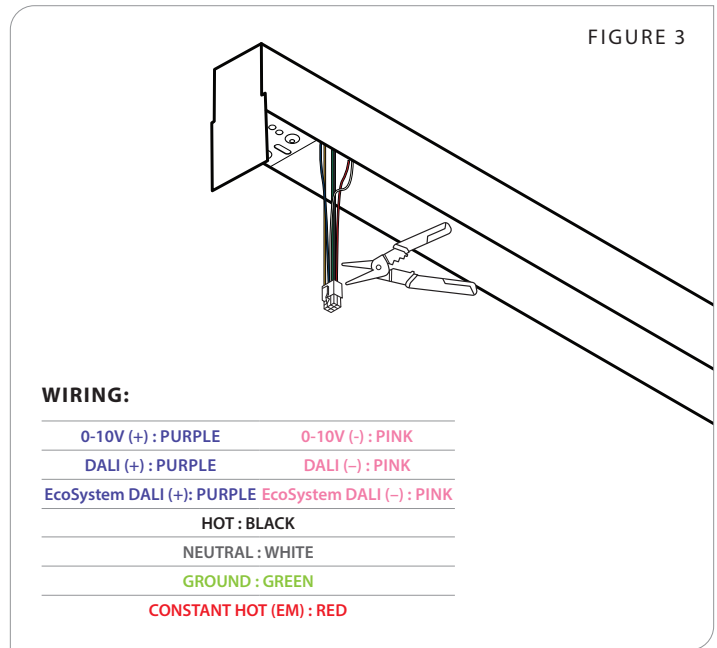
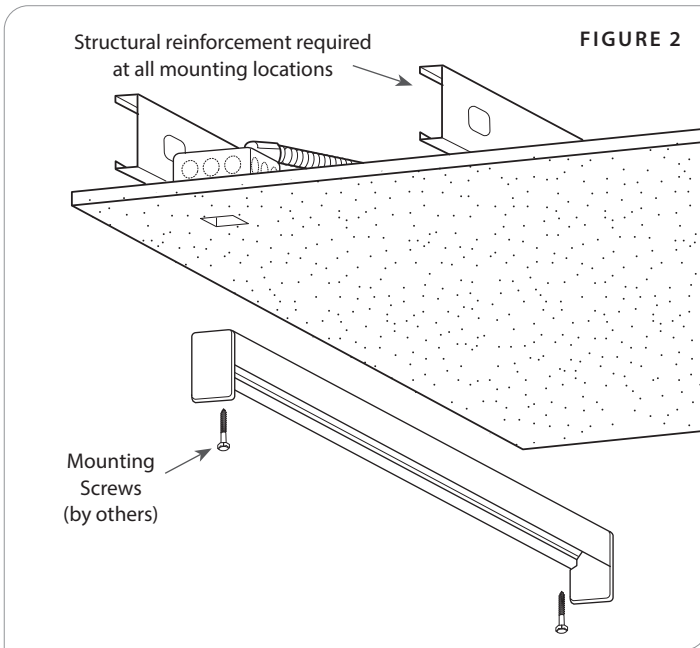
INSTALLATION INSTRUCTIONS

X3 (HARD CEILING)

CONTINUOUS ROWS

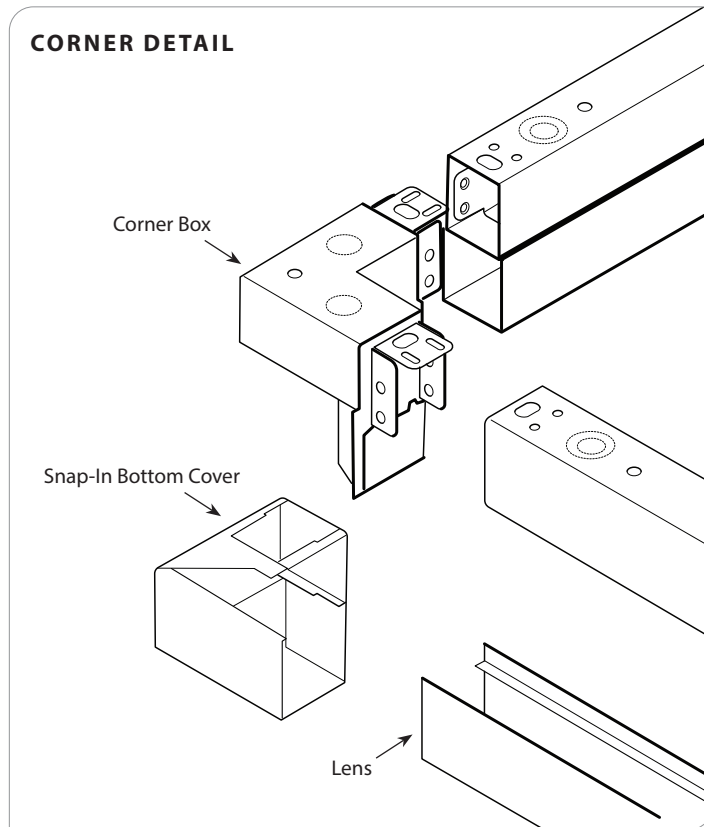
REFER TO PAGE 3 FOR OPTIONAL T-BAR MOUNTING RAIL ASSEMBLY

1. Unscrew LED tray from body and remove the LED tray by unplugging the LED lead wire disconnects on first fixture, remove LED Tray (figure 1, page 4).
2. Cut lead end of the wire harness and strip wires. Make electrical connections (figure 3).
3. Remove reflector on all subsequent fixtures (intermediates and ends).
 - Install aligner on all intermediate fixtures.
 - Install finish plate on right end of end fixtures, push till it snaps in.
4. Join fixture by sliding left hand end onto joiner of previously installed fixture and secure to structure with screws (by others). Continue this until all fixtures in the row are installed.
5. Plug circuit assembly together for wiring rest of row. If fixture has internal EM driver, do not plug the EM driver connectors until power has been applied to the row.
6. Re-install reflectors. Ensure no wires are pinched between trays and housing to avoid electrical and alignment issues.



WARNING: Ground fixture in accordance with local and national electrical codes. Failure to do so may result in serious personal injury. Fixture Installations should ONLY be done by a qualified licensed electrical professional.

X3 (HARD CEILING)



CORNER DETAIL INSTRUCTIONS

1. Screw aircraft cable into mounting location on top of corner box.
2. Run circuit assembly quick connect from adjoining fixture into one end of corner box and out the other end.
3. Snap both legs of corner box into adjoining fixtures and secure on top with screws.
4. Snap-on bottom corner box cover.

WARNING: Ground fixture in accordance with local and national electrical codes. Failure to do so may result in serious personal injury. Fixture Installations should ONLY be done by a qualified licensed electrical professional.