



INSTALLATION INSTRUCTIONS

X3 (HARD CEILING)

PARTS LIST	PART NO.	DESCRIPTION
------------	----------	-------------

FINISH PLATES

INSTALLED ON INDIVIDUALS / SHIPPED SEPARATELY ON ROWS

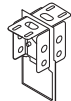


111761 Square

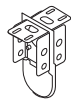


111762 Round

ALIGNERS / JOINERS:



111763 Square



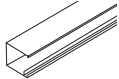
111762 Round



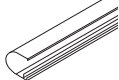
100-00021-14 #8 x 1/4" Pan Head Sheet Metal Screw (SHIPPED SEPARATELY ON ROWS)

LENSES

INSTALLED ON INDIVIDUALS / SHIPPED SEPARATELY ON ROWS



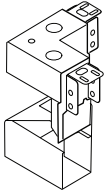
Square



Round

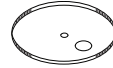
CORNER BOX & SNAP ON COVER:

SHIPPED SEPARATELY

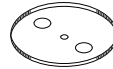


PARTS LIST	PART NO.	DESCRIPTION
------------	----------	-------------

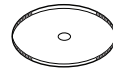
CANOPIES:



28975 5 1/2" Ø SPF Canopy (2 Hole)



65392 5 1/2" Ø DPF Canopy (3 Hole)



100-00078-07 5 1/2" Ø NPF Canopy (X1, X2, X6) (1 Hole)

PRU CABLE ASSEMBLY:



100-00039-08 53"

100-00085-08 100" Aircraft Cable

100-00042-08 200"



100-00262-14 3/4 WIRE Metal Strain Relief Bushing

100-00264-14 5/6 WIRE



100-00319-14 WHITE Threaded Bushing

100-00316-14 BLACK



100-00318-14 WHITE 5/8" Universal Bushing

100-00321-14 BLACK



100-00284-14 1/2" x 1 1/8" IPT Brass Threaded Nipple

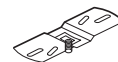


100-00239-14 1/2" IP Knurled Nut



100-00228-14 3/4 WIRE Plastic Strain Relief Bushing

100-00346-14 5/6 WIRE



19031 Mounting Strap

18GA SJT CORD:

	3 WIRE	4 WIRE	5 WIRE	6 WIRE
WHITE	100-00023-09	100-00024-09	100-00912-09	100-01002-09
WHITE 600v	100-00059-09	100-00060-09	100-00919-09	100-00604-09
BLACK	100-00956-09	100-00025-09	100-00933-09	100-00317-09
BLACK 600v	100-00318-09	100-00606-09	100-00457-09	100-00607-09

WARNING: Ground fixture in accordance with local and national electrical codes. Failure to do so may result in serious personal injury. Fixture Installations should ONLY be done by a qualified licensed electrical professional.

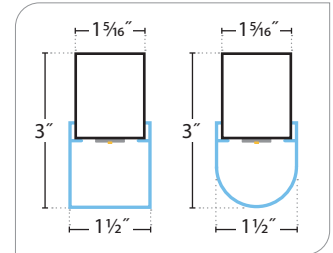


INSTALLATION INSTRUCTIONS

X3 (HARD CEILING)

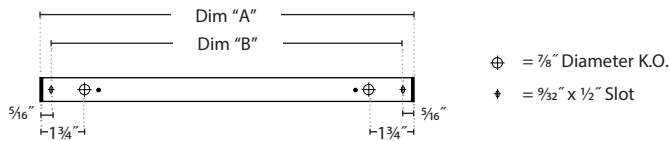
GENERAL INSTALLATION

- See row diagram or prudential Lighting plan layout (if provided). Begin all row mounting from left to right (see arrows).
- Depending upon ceiling construction structural support may be required at mounting hole locations.
- For cable installation detail, see separate cable mounting instructions.



MOUNTING LOCATIONS

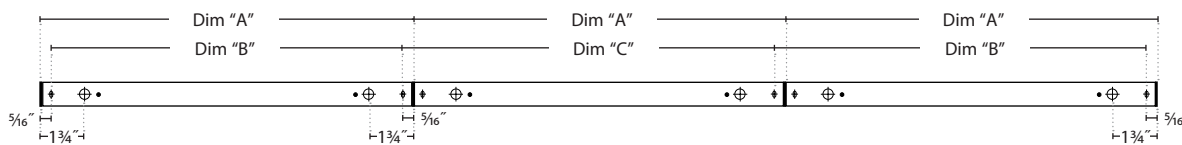
INDIVIDUAL: **ROW DIRECTION: INSTALL FROM LEFT TO RIGHT**



CABLE MOUNT DIMENSIONS

Dim "A"	Dim "B"	Dim "C"
22 ⁷ / ₈ "	22 ¹ / ₄ "	22 ⁷ / ₈ "
34 ¹¹ / ₁₆ "	34 ¹ / ₁₆ "	34 ¹¹ / ₁₆ "
46 ¹ / ₂ "	45 ⁷ / ₈ "	46 ¹ / ₂ "
58 ³ / ₈ "	57 ³ / ₄ "	58 ³ / ₈ "
69 ³ / ₈ "	68 ³ / ₄ "	69 ³ / ₈ "
93"	92 ³ / ₈ "	93"

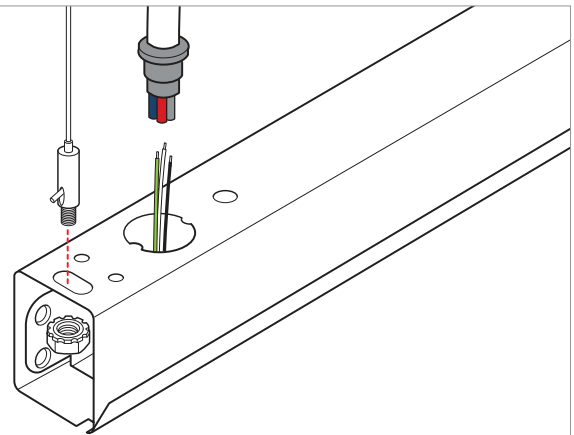
ROW:



INDIVIDUAL

1. Install cable hardware on ceiling (see separate cable mounting installation instructions).
2. Attach plastic strain relief bushing to end of power cord (figure 1).
3. Attach aircraft cables to housing at mounting locations and secure with KEPS hex nut.
4. Wire power cord to fixture wires protruding the back of fixture housing. For fixtures with EM drivers, **DO NOT** plug the connectors until after normal power has been applied to the fixture.
5. Secure power cord to housing by pushing cord into exposed hole until strain relief bushing snaps into place.

FIGURE 1



WIRING:

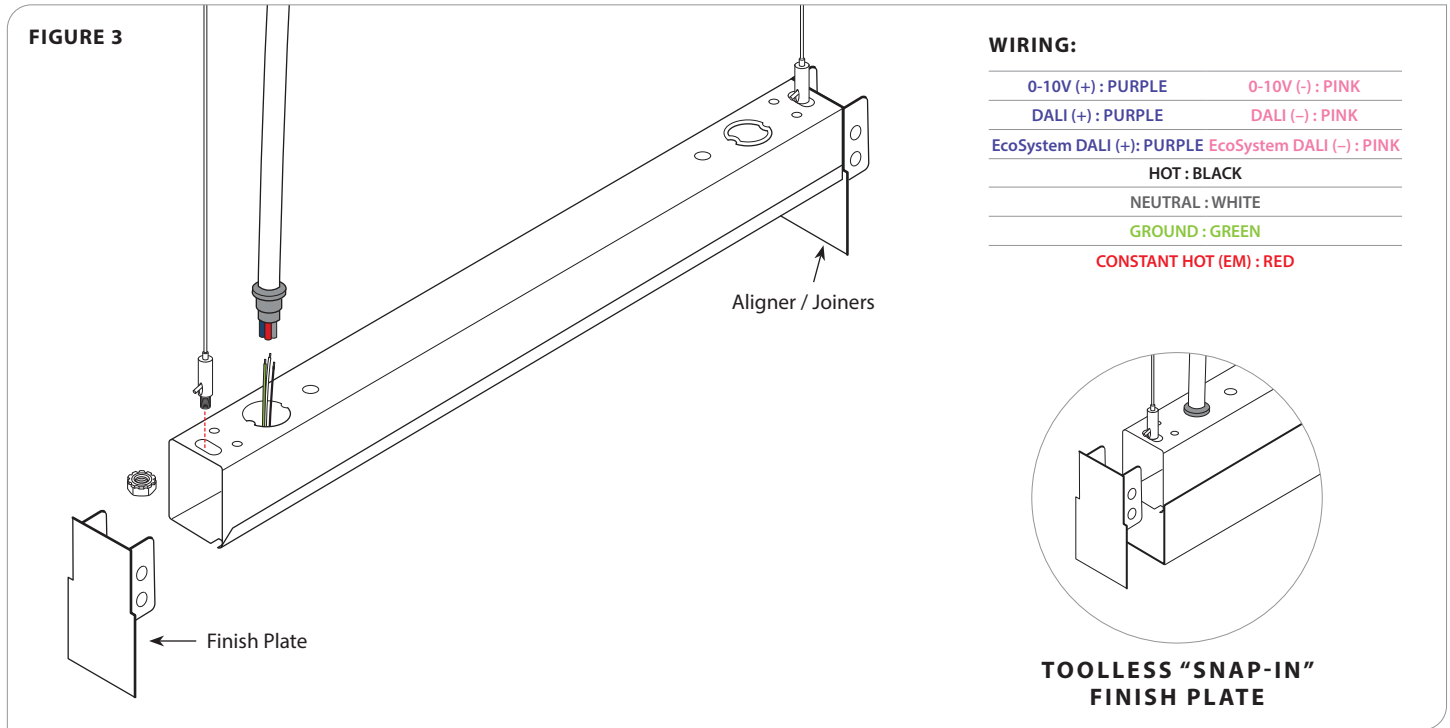
0-10V (+) : PURPLE	0-10V (-) : PINK
DALI (+) : PURPLE	DALI (-) : PINK
EcoSystem DALI (+) : PURPLE	EcoSystem DALI (-) : PINK
HOT : BLACK	
NEUTRAL : WHITE	
GROUND : GREEN	
CONSTANT HOT (EM) : RED	

WARNING: Ground fixture in accordance with local and national electrical codes. Failure to do so may result in serious personal injury. Fixture Installations should ONLY be done by a qualified licensed electrical professional.



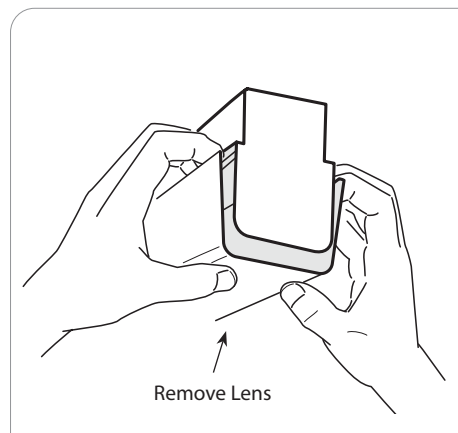
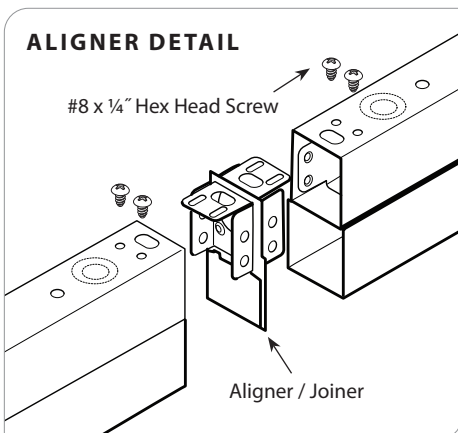
INSTALLATION INSTRUCTIONS

X3 (HARD CEILING)



CONTINUOUS ROWS

1. Mount all support hardware to ceiling at required locations.
2. (Figure 3) Install cables on each end of first fixture. Install aligner on joining end of first fixture. Lift fixture and attach cables to installed hardware in the ceiling. Attach power feed cord and wire accordingly.
3. Install cable and joiner on the right end of the each adjoining fixture in the row. Secure the joiner with two screws. No joiner will be added to the last fixture in the row. Attach each fixture to row separately. Secure fixture to joiner with two screws. Plug internal circuit assembly quick connect for continuous power.
4. If any of the fixtures contain an internal EM driver, remove the LED cover and plug the EM Driver connectors. Only do this after normal AC power has been applied to the entire row.
5. Install finish plate at each end of row (see finish plate detail above).

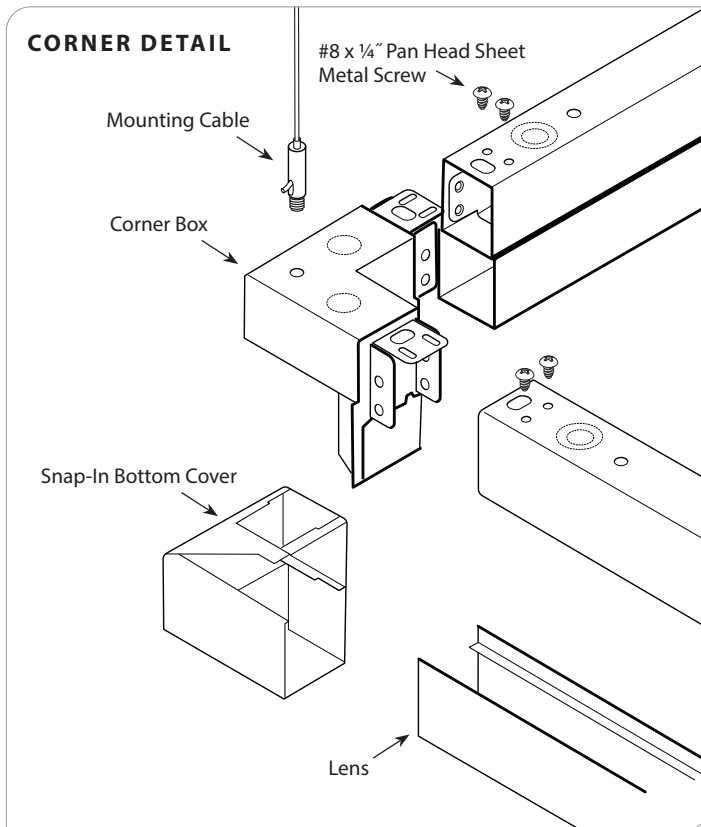


WARNING: Ground fixture in accordance with local and national electrical codes. Failure to do so may result in serious personal injury. Fixture Installations should ONLY be done by a qualified licensed electrical professional.



INSTALLATION INSTRUCTIONS

X3 (HARD CEILING)



CORNER DETAIL INSTRUCTIONS

1. Screw aircraft cable into mounting location on top of corner box.
2. Run circuit assembly quick connect from adjoining fixture into one end of corner box and out the other end.
3. Snap both legs of corner box into adjoining fixtures and secure on top with screws.
4. Snap-on bottom corner box cover.

WARNING: Ground fixture in accordance with local and national electrical codes. Failure to do so may result in serious personal injury. Fixture Installations should ONLY be done by a qualified licensed electrical professional.

Hard Ceiling (X3) | CAX

Adjustable Cable Support

INSTALLATION INSTRUCTIONS



PRUDENTIAL LTG.

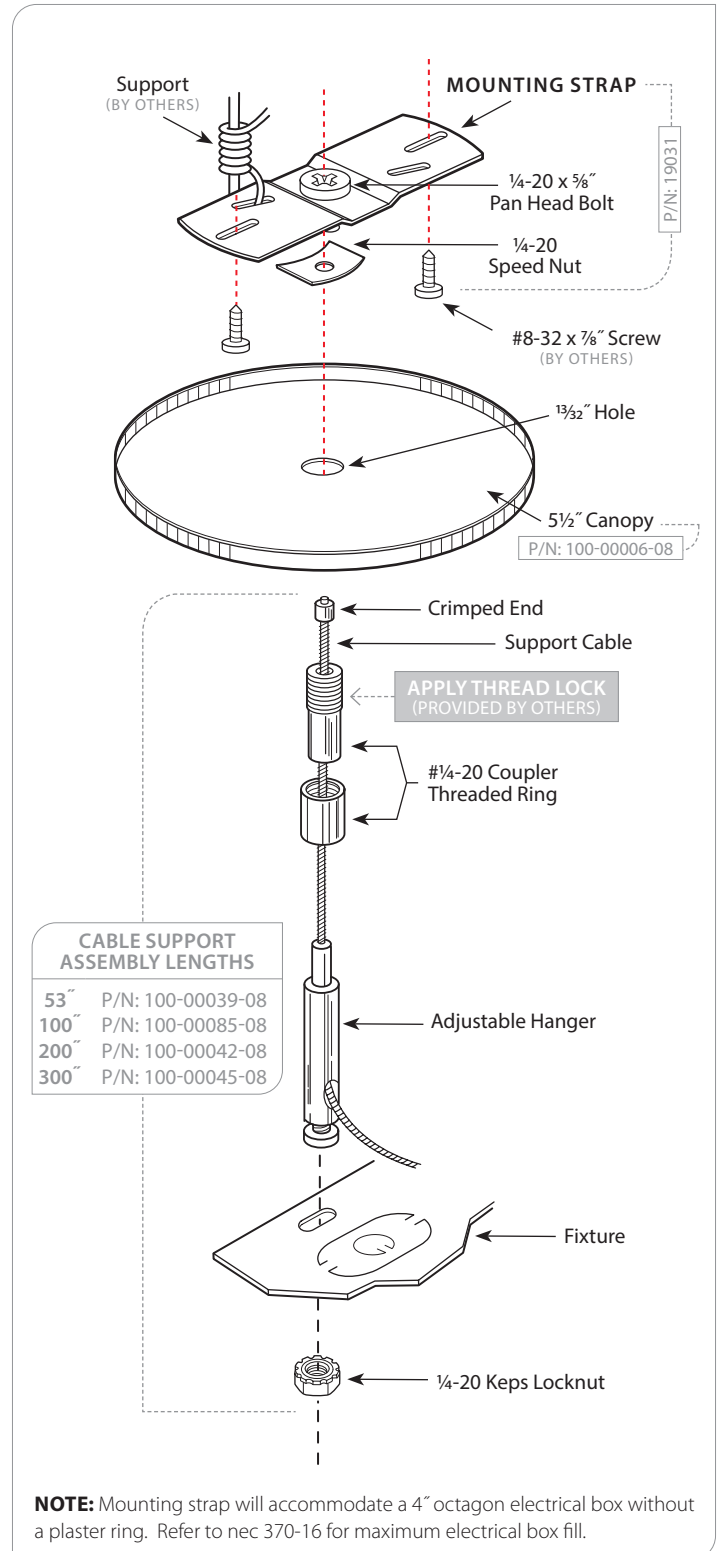
PRULITE.COM 213.746.0360

INSTALLATION

1. Anchor mounting straps to ceiling at cable locations. If mounting plan drawings is provided follow dimensions specified in row or pattern layout. (Contractor is to determine best anchoring hardware to be used in securing mounting strap to ceiling)
2. Insert non-crimped end of support cable through top threaded end of 1/4-20 coupling. Pull cable until crimp stops inside threaded end of coupling.
3. Push non-crimped end of cable through top (smooth end adjustable glider). Insert cable completely through glider. Glider will engage by pressing top smooth end down. Hold in place and pull back for adjustment.
4. Insert threaded barrel of adjustable glider through fixture. Securely attach glider to fixture with nutkeys lock (do not tighten with excessive force). Trim excess cable no less than 3" beyond cable outlet.
5. Unscrew threaded ring from top of 1/4-20 coupling. Insert 1/4-20 coupling through 1 3/32" dia. center hole on canopy and let threaded ring and canopy rest on fixture end. Lift coupling/cable to ceiling with fixture attached and thread 1/4-20 coupler onto strap bolt (be sure coupling is secure). Adjust cable to required distance from ceiling surface. Lift canopy against ceiling surface and secure in place with threaded ring.

NOTE: Depending on ceiling construction, reinforcement may be required at each mounting location.

CAUTION: Do not remove crimp from cable. Crimps are factory pressed onto cable for maximum strength. Prudential Lighting will not be responsible for damage or injuries which occur due to cable/crimp alterations. If different cable lengths are required, contact Prudential Lighting immediately.



NOTE: Mounting strap will accommodate a 4" octagon electrical box without a plaster ring. Refer to nec 370-16 for maximum electrical box fill.

PARTS LIST

19031	X3 Mounting Strap	1
100-00006-08	5 1/2" Dia. White Canopy	1
SUPPORT CABLE:		
100-00039-08	53"	1
100-00085-08	100"	1
100-00042-08	200"	1
100-00045-08	300"	1

WARNING: Ground fixture in accordance with local and national electrical codes. Failure to do so may result in serious personal injury. Fixture Installations should ONLY be done by a qualified licensed electrical professional.

Hard Ceiling (X3) | CAX

Adjustable Cord / Cable Support

INSTALLATION INSTRUCTIONS



PRUDENTIAL LTG.

PRULITE.COM 213.746.0360

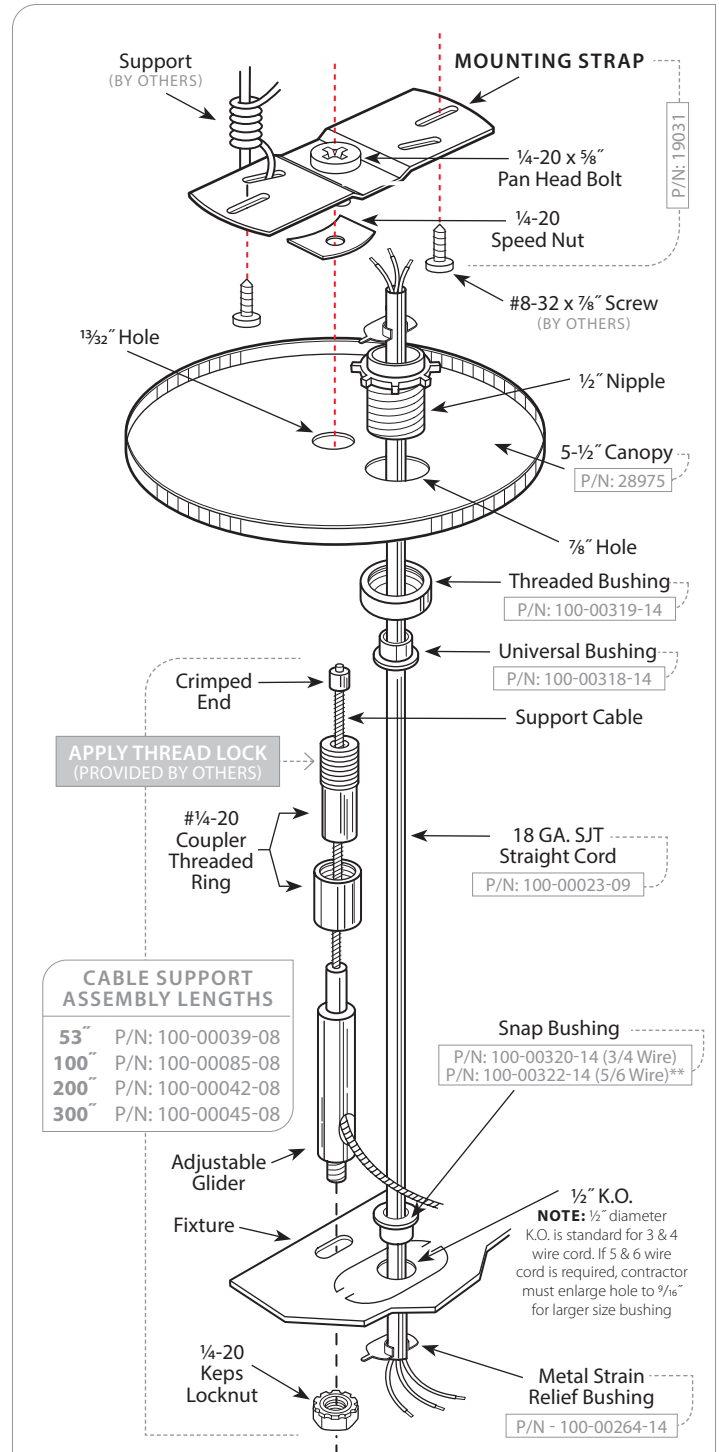
INSTALLATION

1. Use #8-32 x 7/8" screws (provided by others) to fasten the mounting strap to the J-box. If weight exceeds 50 pounds, reinforce mounting strap with support wire secured to structural material (support wire provided by others).
2. Insert non-crimped end of support cable through top threaded end of coupling. Pull cable until crimp stops inside threaded end of coupling, push non-crimped end of cable through top (smooth end of adjustable glider). Insert cable completely through glider. Glider will engage around cable to prevent slipping. Disengage glider by pressing top smooth end down. Hold in place and pull cable back for adjustment.
3. Insert threaded barrel of adjustable glider through fixture. Attach glider to fixture with lock washer and hex nut. (**DO NOT TIGHTEN WITH EXCESSIVE FORCE**) Trim excess cable no less than 3" beyond cable outlet.
4. Remove 1/2" round K.O. located on surface of fixture end. Contractor to field cut SJT cord at specified lengths and strip back a portion of outer insulation from one end of SJT cord (contractor to determine amount to be stripped). Insert stripped end of cord through snap bushing. Press snap bushing & cord into 1/2" round opening. Place metal strain relief bushing around cord under fixture end and crimp with pliers. Cord should be secured to fixture end. Insert top end of cord through universal bushing, and threaded bushing. Trim cord to required length and secure to canopy with strain relief through 1/2" nipple. Make all wire connection.
5. Unscrew threaded ring from top of 1/4-20 coupling. Insert 1/4-20 coupling through center hole on canopy. Apply small amount of thread lock on mounting stud. Lift coupling/canopy, and fixture to mounting strap and screw coupling to bolt (be sure coupling is secure). Adjust cable to required distance from ceiling surface.

CAUTION: Do not remove crimp from cable. Crimps are factory pressed onto cable for maximum strength. Prudential Lighting will not be responsible for damage or injuries which occur due to cable/crimp alterations. If different cable lengths are required, contact Prudential Lighting immediately.

PARTS LIST

19031	X3 Mounting Strap	1
28975	5 1/2" Dia White Canopy	1
100-00320-14	White Snap Bushing	1
100-00322-14	White Snap Bushing 5/16" (5 wire option)**	1
100-00023-09	18 GA. 3 Wire SJT Cord	1
100-00264-14	Metal Strain Relief Bushing	1
100-00319-14	Threaded Bushing	1
100-00318-14	White Universal Bushing	1
SUPPORT CABLE:		
100-00039-08	53"	1
100-00085-08	100"	1
100-00042-08	200"	1
100-00045-08	300"	1



NOTE: Mounting strap will accommodate a 4" octagon electrical box without a plaster ring. Refer to nec 370-16 for maximum electrical box fill.

WARNING: Ground fixture in accordance with local and national electrical codes. Failure to do so may result in serious personal injury. Fixture Installations should ONLY be done by a qualified licensed electrical professional.