



INSTALLATION INSTRUCTIONS

X1, X6 (T-BAR)

PARTS LIST	PART NO.	DESCRIPTION
------------	----------	-------------

FINISH PLATES

INSTALLED ON INDIVIDUALS / SHIPPED SEPARATELY ON ROWS

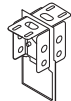


111761 Square

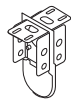


111762 Round

ALIGNERS / JOINERS:



111763 Square



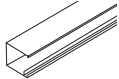
111762 Round



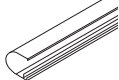
100-00021-14 #8 x 1/4" Pan Head Sheet Metal Screw (SHIPPED SEPARATELY ON ROWS)

LENSES

INSTALLED ON INDIVIDUALS / SHIPPED SEPARATELY ON ROWS



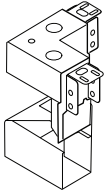
Square



Round

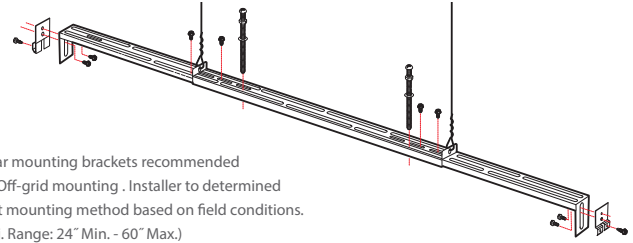
CORNER BOX & SNAP ON COVER:

SHIPPED SEPARATELY



T-BAR MOUNTING RAIL ASSEMBLY (OPTIONAL FOR OFF-GRID MOUNTING):

101962



T-bar mounting brackets recommended for Off-grid mounting. Installer to determined best mounting method based on field conditions. (Adj. Range: 24" Min. - 60" Max.)



100-00283-14 1/4-20 x 5" Round Hd. MS SL Type F



100-00165-14 1/4-20 Hex Nut



100-00008-14 1/4" x 1/2" Washer



100-00086-14 #6 x 3/8" Tek Screw

WARNING: Ground fixture in accordance with local and national electrical codes. Failure to do so may result in serious personal injury. Fixture Installations should ONLY be done by a qualified licensed electrical professional.

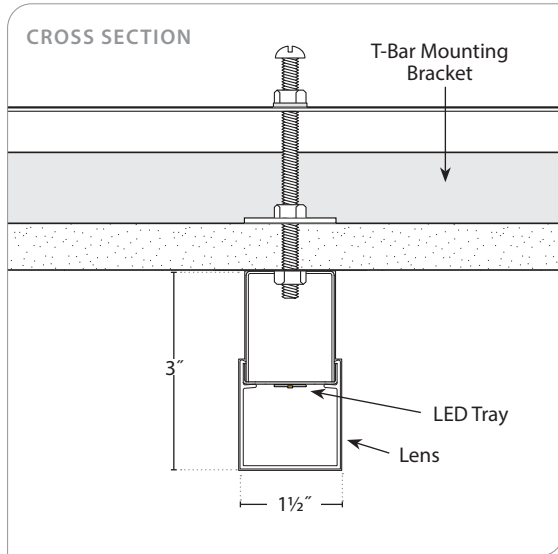


INSTALLATION INSTRUCTIONS

X1, X6 (T-BAR)

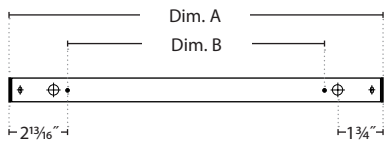
GENERAL INSTALLATION

- See row diagram or prudential Lighting plan layout (if provided). Begin all row mounting from left to right (see arrows).
- Depending upon ceiling construction structural support may be required at mounting hole locations.



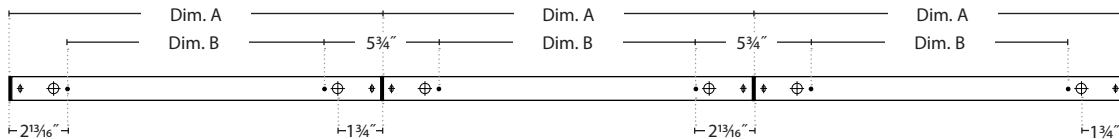
MOUNTING LOCATIONS

INDIVIDUAL: ROW DIRECTION: INSTALL FROM LEFT TO RIGHT



⊕ = 7/8" Diameter K.O.
• = 1/4" Diameter Mounting Hole

ROW:



SURFACE MOUNT DIMENSIONS

Length	Dim. A	Dim. B
2'	24"	18 3/8"
3'	36"	30 3/8"
4'	48"	42 3/8"
5'	60"	54 3/8"
6'	72"	66 3/8"
7'	84"	78 3/8"
8'	96"	90 3/8"

WARNING: Ground fixture in accordance with local and national electrical codes. Failure to do so may result in serious personal injury. Fixture Installations should ONLY be done by a qualified licensed electrical professional.

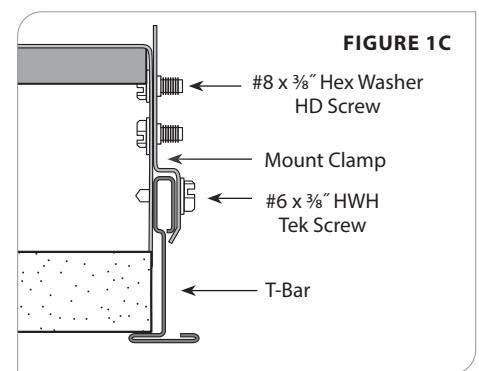
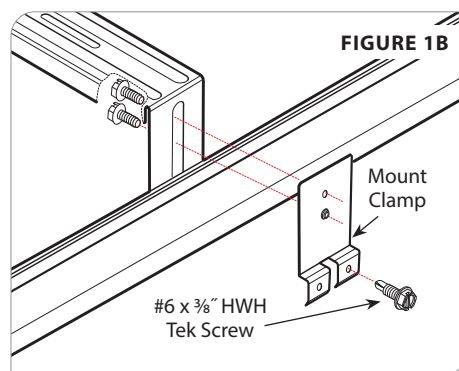
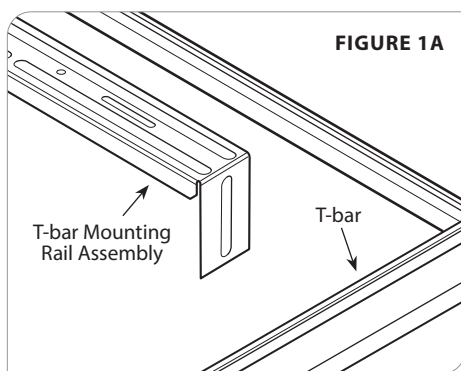
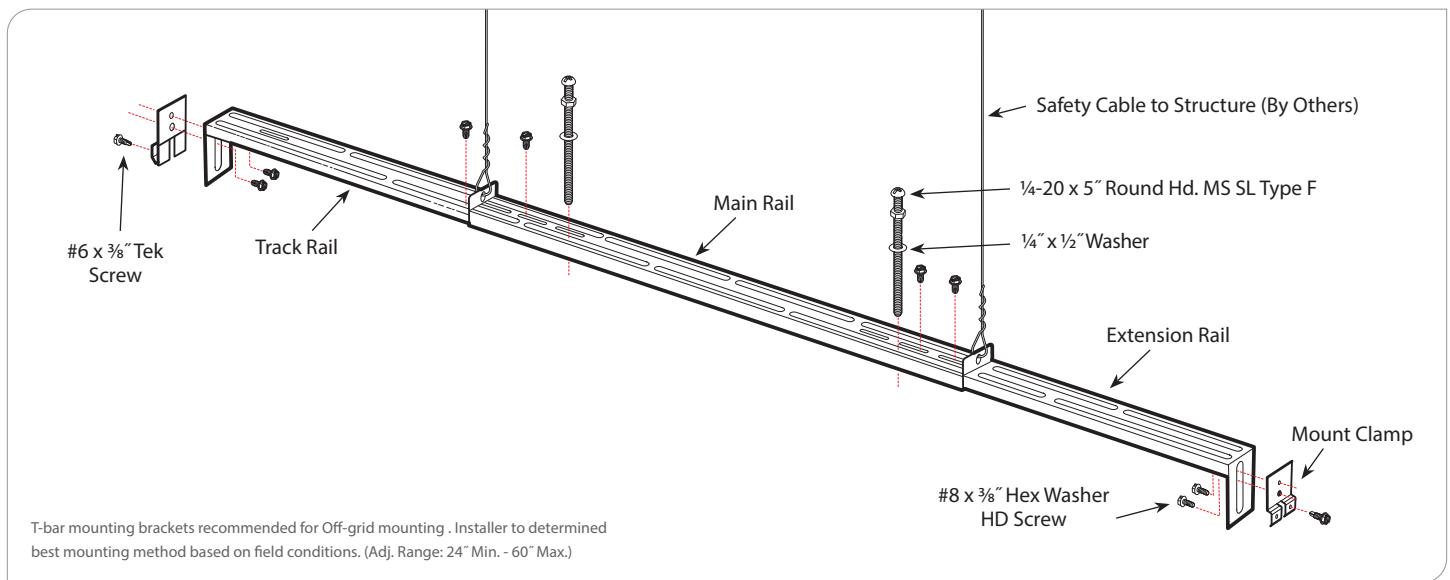


INSTALLATION INSTRUCTIONS

X1, X6 (T-BAR)

T-BAR MOUNTING RAIL ASSEMBLY (OPTIONAL)

1. Mark mounting dimensions on ceiling tile and drill (2) $\frac{3}{8}$ " holes.
2. Extend t-bar mounting rail assembly (101962) to fit t-bar grid (figures 1A & 1B). (8-32 x $\frac{1}{2}$ " Washer HD screws may need to be removed to expand rails).
3. Place t-bar mounting rail assembly against inner wall of t-bar with clamps.
4. Secure assembly to t-bar with clamps (figures 1B & 1C).
5. Drive #6 x $\frac{3}{8}$ " Tek Screws through clamp and t-bar.
6. Use $\frac{1}{4}$ -20 x 5" Round Hd. Mounting Screws at each mounting location. Adjust so screw protrudes ceiling tile by $\frac{1}{2}$ ".
7. Attach safety cable (by others) to rail assembly and secure to structure.



WARNING: Ground fixture in accordance with local and national electrical codes. Failure to do so may result in serious personal injury. Fixture Installations should ONLY be done by a qualified licensed electrical professional.



INSTALLATION INSTRUCTIONS

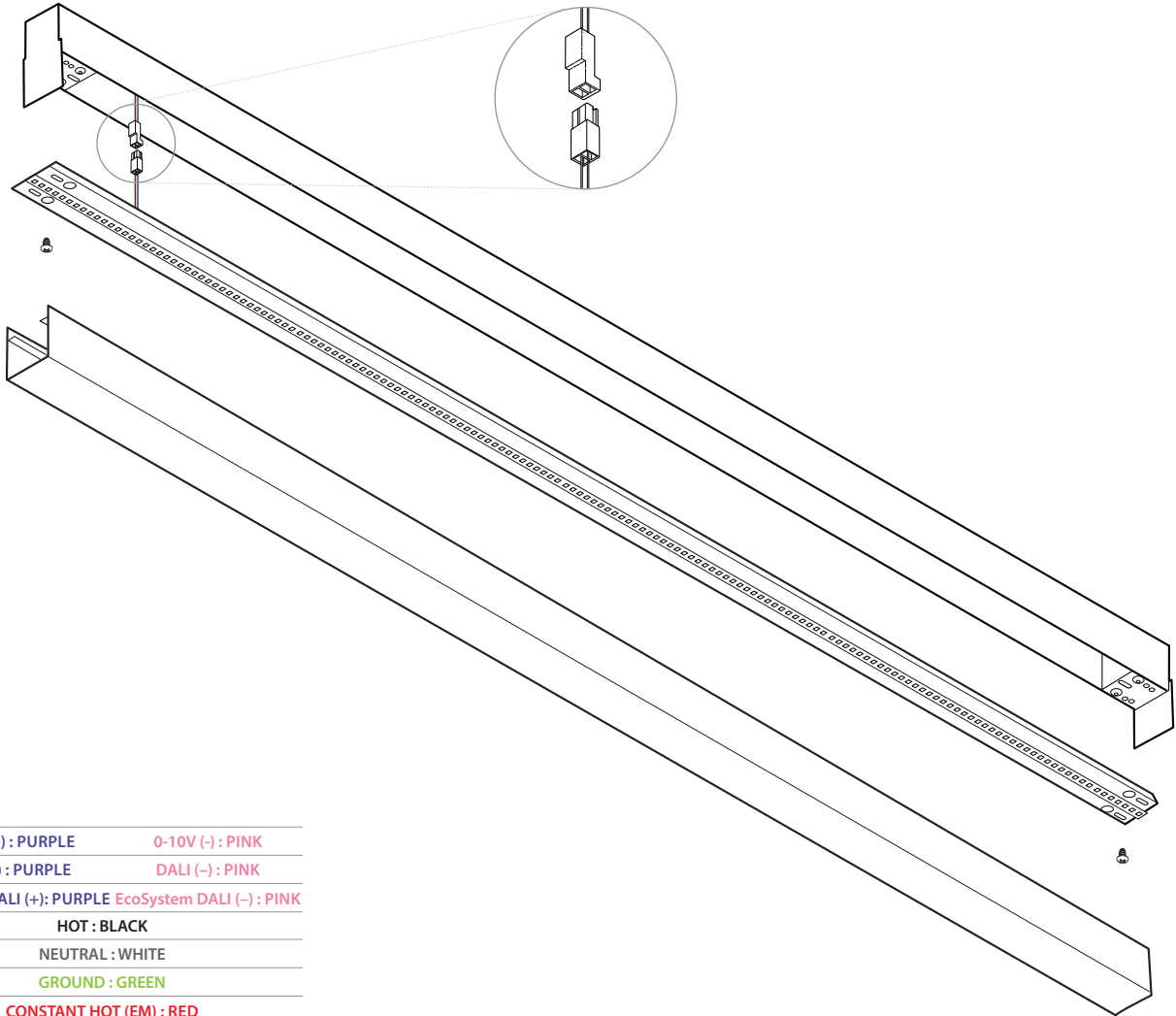
X1, X6 (T-BAR)

INDIVIDUAL

REFER TO PAGE 3 FOR OPTIONAL T-BAR MOUNTING RAIL ASSEMBLY

1. Remove Lens from fixture.
2. Unscrew LED tray from body and remove the LED tray by unplugging the LED lead wire disconnects on first fixture, remove LED Tray (figure 2).
3. Mount fixture to ceiling surface through ¼" diameter holes (mounting hardware provided by others) & make all electrical connections from ceiling to fixture (figure 4, page 5). For fixtures with internal EM drivers, **DO NOT** plug the connectors until after normal power has been applied to the fixture.
4. Re-install reflectors. Ensure no wires are pinched between trays and housing to avoid electrical and alignment issues.

FIGURE 2



WIRING:

0-10V (+) : PURPLE	0-10V (-) : PINK
DALI (+) : PURPLE	DALI (-) : PINK
EcoSystem DALI (+) : PURPLE	EcoSystem DALI (-) : PINK
HOT : BLACK	
NEUTRAL : WHITE	
GROUND : GREEN	
CONSTANT HOT (EM) : RED	

WARNING: Ground fixture in accordance with local and national electrical codes. Failure to do so may result in serious personal injury. Fixture Installations should ONLY be done by a qualified licensed electrical professional.



INSTALLATION INSTRUCTIONS

X1, X6 (T-BAR)

CONTINUOUS ROWS

REFER TO PAGE 3 FOR OPTIONAL T-BAR MOUNTING RAIL ASSEMBLY

1. Unscrew LED tray from body and remove the LED tray by unplugging the LED lead wire disconnects on first fixture, remove LED Tray (figure 2, page 4).
2. Cut lead end of the wire harness and strip wires. Make electrical connections (figure 4).
3. Remove reflector on all subsequent fixtures (intermediates and ends).
 - Install aligner on all intermediate fixtures.
 - Install finish plate on right end of end fixtures, push till it snaps in.
4. Join fixture by sliding left hand end onto joiner of previously installed fixture and secure to structure. Continue this until all fixtures in the row are installed
5. Plug circuit assembly together for wiring rest of row. If fixture has internal EM driver, **DO NOT** plug the EM driver connectors until power has been applied to the row.
6. Re-install reflectors. Ensure no wires are pinched between trays and housing to avoid electrical and alignment issues.
7. Re-install lenses.

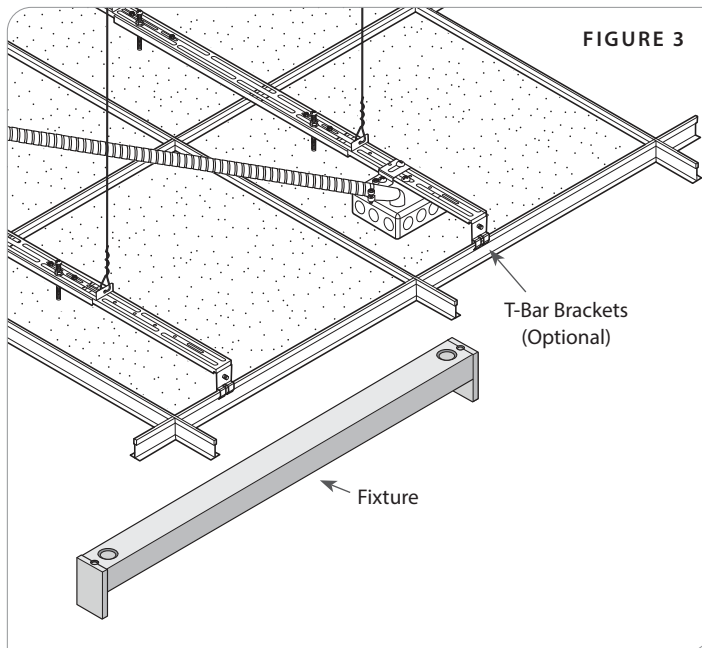


FIGURE 3

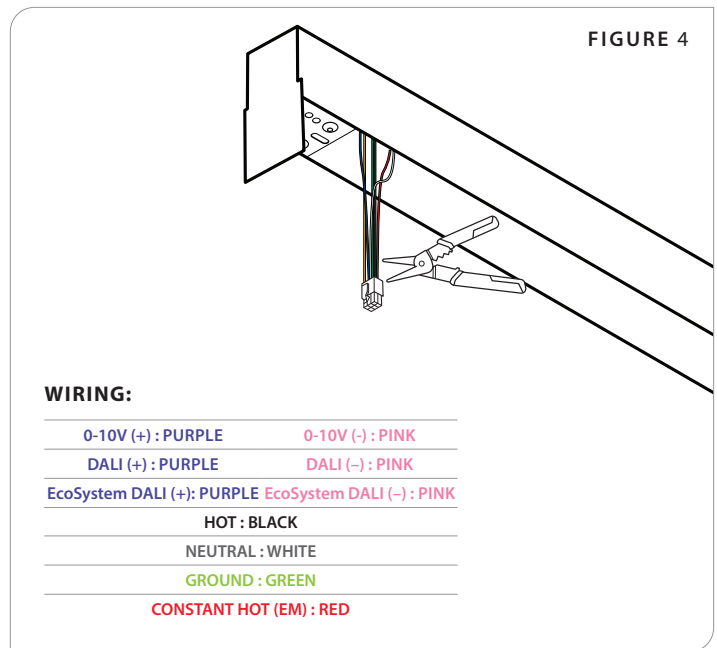
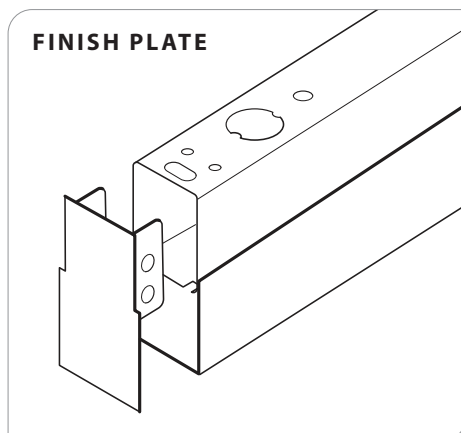
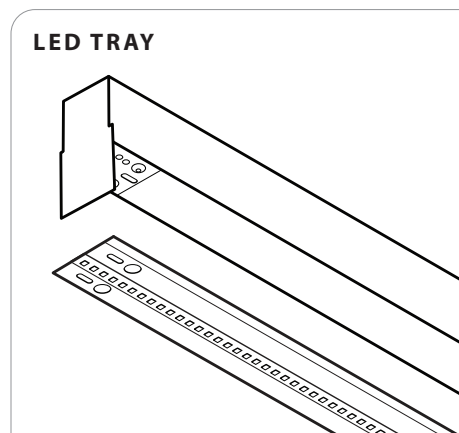


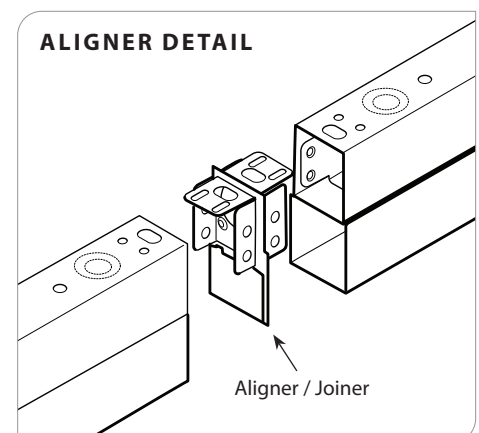
FIGURE 4



FINISH PLATE



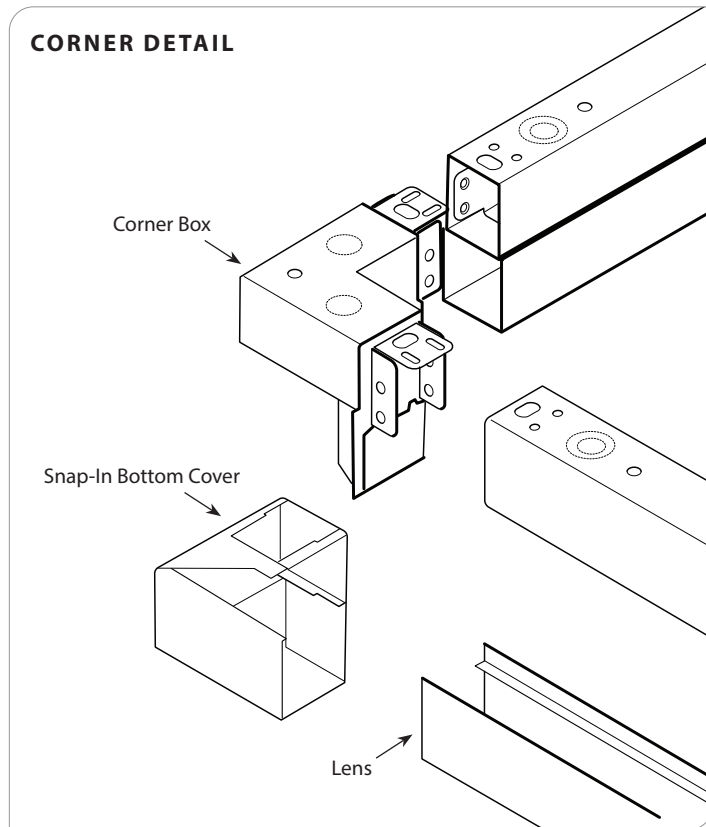
LED TRAY



ALIGNER DETAIL

Aligner / Joiner

WARNING: Ground fixture in accordance with local and national electrical codes. Failure to do so may result in serious personal injury. Fixture Installations should ONLY be done by a qualified licensed electrical professional.



CORNER DETAIL INSTRUCTIONS

1. Screw aircraft cable into mounting location on top of corner box.
2. Run circuit assembly quick connect from adjoining fixture into one end of corner box and out the other end.
3. Snap both legs of corner box into adjoining fixtures and secure on top with screws.
4. Snap-on bottom corner box cover.

WARNING: Ground fixture in accordance with local and national electrical codes. Failure to do so may result in serious personal injury. Fixture Installations should ONLY be done by a qualified licensed electrical professional.