



## INSTALLATION INSTRUCTIONS

### X1, X2, X6 (T-BAR)

PARTS LIST	PART NO.	DESCRIPTION
------------	----------	-------------

#### FINISH PLATES

INSTALLED ON INDIVIDUALS / SHIPPED SEPARATELY ON ROWS

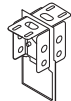


111761 Square

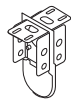


111762 Round

#### ALIGNERS / JOINERS:



111763 Square



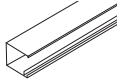
111762 Round



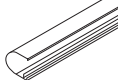
100-00021-14 #8 x 1/4" Pan Head Sheet Metal Screw (SHIPPED SEPARATELY ON ROWS)

#### LENSES

INSTALLED ON INDIVIDUALS / SHIPPED SEPARATELY ON ROWS



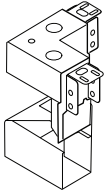
Square



Round

#### CORNER BOX & SNAP ON COVER:

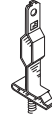
SHIPPED SEPARATELY



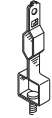
PARTS LIST	PART NO.	DESCRIPTION
------------	----------	-------------

#### CABLE MOUNT HARDWARE

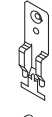
SHIPPED SEPARATELY



100-00004-08 I.D.S. Clip (X1 Standard)



100-00003-08 I.D.S. 95 Clip (X2, X6)



100-00091-08 A.T Clip (X1, X2, X6)



100-00114-14 1/4-20 x 3/4" Truss Head Screw

#### CANOPIES:



28975 5 1/2" Ø SPF Canopy (2 Hole)



65392 5 1/2" Ø DPF Canopy (3 Hole)



100-00078-07 2" Ø NPF Canopy (X1, X2, X6) (1 Hole)

#### PRU CABLE ASSEMBLY:



100-00039-08 53"

100-00085-08 100" Aircraft Cable

100-00042-08 200"



100-00262-14 3/4 WIRE Metal Strain Relief Bushing  
100-00264-14 5/6 WIRE



100-00319-14 WHITE Threaded Bushing  
100-00316-14 BLACK



100-00318-14 WHITE 5/8" Universal Bushing  
100-00321-14 BLACK



100-00284-14 1/2" x 1 1/8" IPT Brass Threaded Nipple



100-00239-14 1/2" IP Knurled Nut



100-00228-14 3/4 WIRE Plastic Strain Relief Bushing  
100-00346-14 5/6 WIRE

#### 18GA SJT CORD:

	3 WIRE	4 WIRE	5 WIRE	6 WIRE
WHITE	100-00023-09	100-00024-09	100-00912-09	100-01002-09
WHITE 600v	100-00059-09	100-00060-09	100-00919-09	100-00604-09
BLACK	100-00956-09	100-00025-09	100-00933-09	100-00317-09
BLACK 600v	100-00318-09	100-00606-09	100-00457-09	100-00607-09

**WARNING:** Ground fixture in accordance with local and national electrical codes. Failure to do so may result in serious personal injury. Fixture Installations should ONLY be done by a qualified licensed electrical professional.

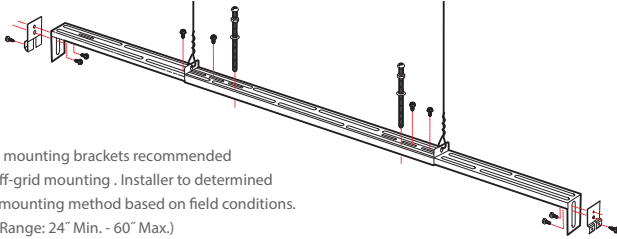


## INSTALLATION INSTRUCTIONS

### X1, X2, X6 (T-BAR)

#### T-BAR MOUNTING RAIL ASSEMBLY (OPTIONAL FOR OFF-GRID MOUNTING):

101962



T-bar mounting brackets recommended for Off-grid mounting. Installer to determine best mounting method based on field conditions. (Adj. Range: 24" Min. - 60" Max.)



**100-00283-14** 1/4-20 x 5" Round Hd. MS SL Type F



**100-00165-14** 1/4-20 Hex Nut



**100-00008-14** 1/4" x 1/2" Washer



**100-00086-14** #6 x 3/8" Tek Screw

**WARNING:** Ground fixture in accordance with local and national electrical codes. Failure to do so may result in serious personal injury. Fixture Installations should ONLY be done by a qualified licensed electrical professional.

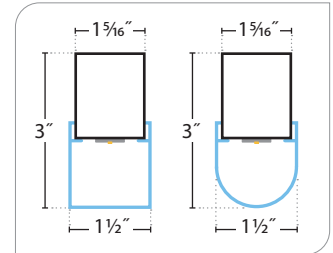


## INSTALLATION INSTRUCTIONS

### X1, X2, X6 (T-BAR)

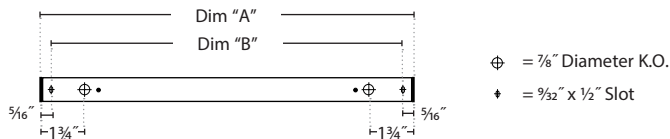
#### GENERAL INSTALLATION

- See row diagram or prudential Lighting plan layout (if provided). Begin all row mounting from left to right (see arrows).
- Depending upon ceiling construction structural support may be required at mounting hole locations.
- For cable installation detail, see separate cable mounting instructions.
- If mounting off grid, Optional 'T-Bar Mounting Rail Assembly' is available (see page 3).



#### MOUNTING LOCATIONS

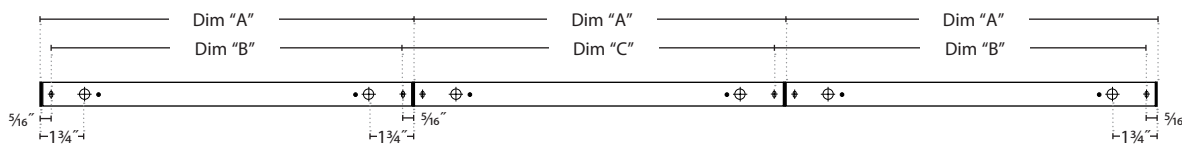
**INDIVIDUAL:** **ROW DIRECTION: INSTALL FROM LEFT TO RIGHT**



#### CABLE MOUNT DIMENSIONS

Dim "A"	Dim "B"	Dim "C"
22 <sup>7</sup> / <sub>8</sub> "	22 <sup>1</sup> / <sub>4</sub> "	22 <sup>7</sup> / <sub>8</sub> "
34 <sup>11</sup> / <sub>16</sub> "	34 <sup>1</sup> / <sub>16</sub> "	34 <sup>11</sup> / <sub>16</sub> "
46 <sup>1</sup> / <sub>2</sub> "	45 <sup>7</sup> / <sub>8</sub> "	46 <sup>1</sup> / <sub>2</sub> "
58 <sup>3</sup> / <sub>8</sub> "	57 <sup>3</sup> / <sub>4</sub> "	58 <sup>3</sup> / <sub>8</sub> "
69 <sup>3</sup> / <sub>8</sub> "	68 <sup>3</sup> / <sub>4</sub> "	69 <sup>3</sup> / <sub>8</sub> "
93"	92 <sup>3</sup> / <sub>8</sub> "	93"

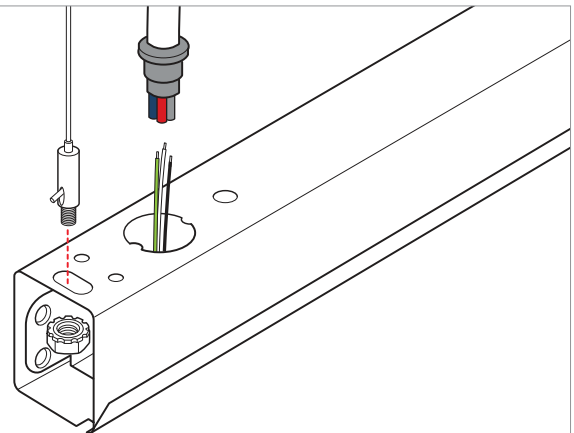
#### ROW:



#### INDIVIDUAL

1. Install cable hardware on ceiling (see separate cable mounting installation instructions).
2. Attach plastic strain relief bushing to end of power cord (figure 1).
3. Attach aircraft cables to housing at mounting locations and secure with KEPS hex nut.
4. Wire power cord to fixture wires protruding the back of fixture housing. For fixtures with EM drivers, **DO NOT** plug the connectors until after normal power has been applied to the fixture.
5. Secure power cord to housing by pushing cord into exposed hole until strain relief bushing snaps into place.

**FIGURE 1**



#### WIRING:

0-10V (+) : PURPLE	0-10V (-) : PINK
DALI (+) : PURPLE	DALI (-) : PINK
EcoSystem DALI (+) : PURPLE	EcoSystem DALI (-) : PINK
HOT : BLACK	
NEUTRAL : WHITE	
GROUND : GREEN	
CONSTANT HOT (EM) : RED	

**WARNING:** Ground fixture in accordance with local and national electrical codes. Failure to do so may result in serious personal injury. Fixture Installations should ONLY be done by a qualified licensed electrical professional.

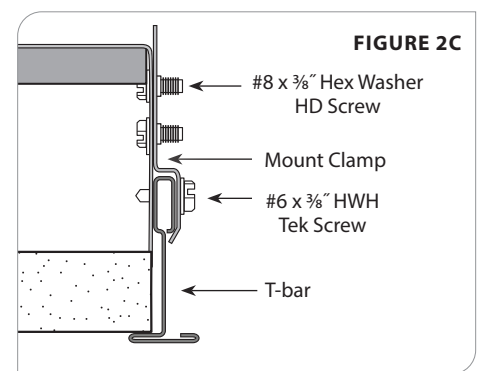
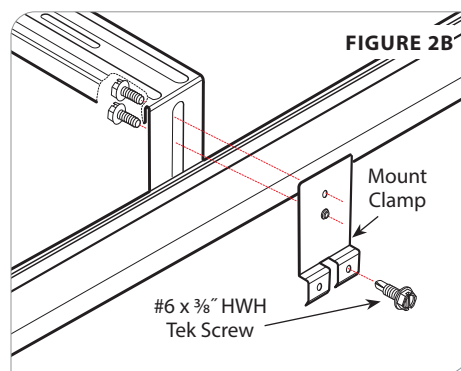
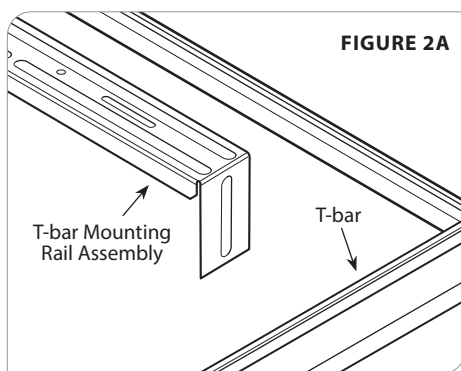
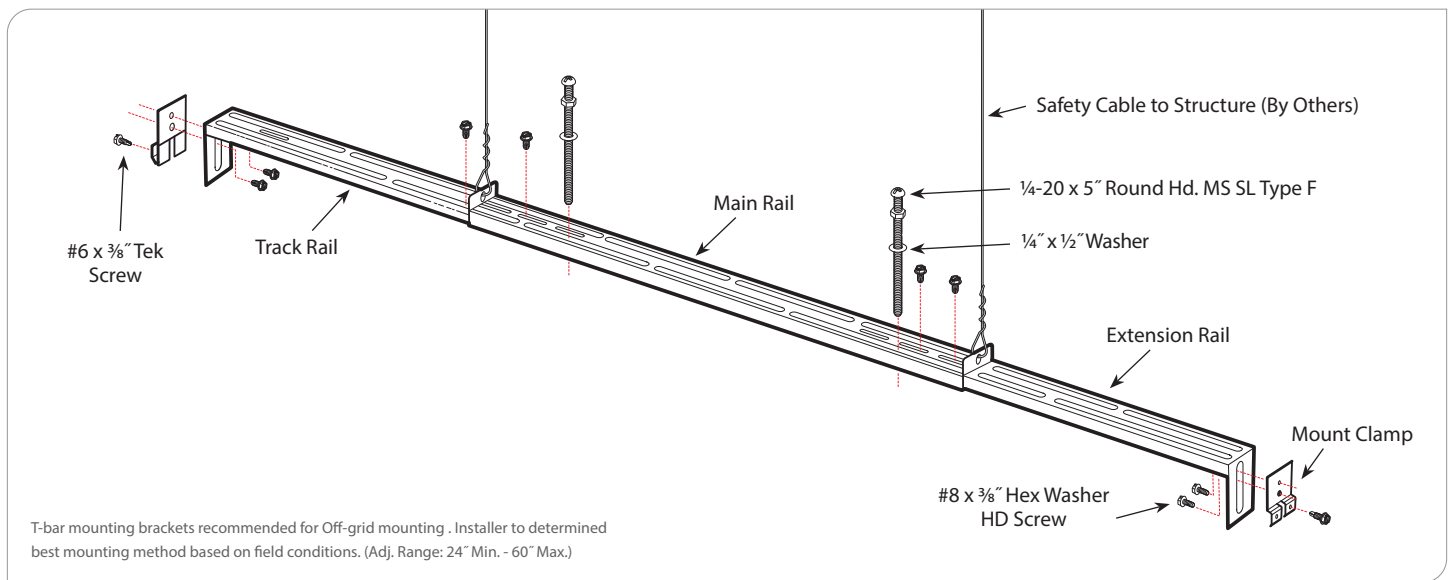


## INSTALLATION INSTRUCTIONS

### X1, X2, X6 (T-BAR)

#### T-BAR MOUNTING RAIL ASSEMBLY (OPTIONAL)

1. Mark mounting dimensions on ceiling tile and drill (2)  $\frac{3}{8}$ " holes.
2. Extend t-bar mounting rail assembly (101962) to fit t-bar grid (figures 2A & 2B). (8-32 x  $\frac{1}{2}$ " Washer HD screws may need to be removed to expand rails).
3. Place t-bar mounting rail assembly against inner wall of t-bar with clamps.
4. Secure assembly to t-bar with clamps (figures 2B & 2C).
5. Drive #6 x  $\frac{3}{8}$ " Tek Screws through clamp and t-bar.
6. Use  $\frac{1}{4}$ -20 x 5" Round Hd. Mounting Screws at each mounting location. Adjust so screw protrudes ceiling tile by  $\frac{1}{2}$ ".
7. Attach safety cable (by others) to rail assembly and secure to structure.

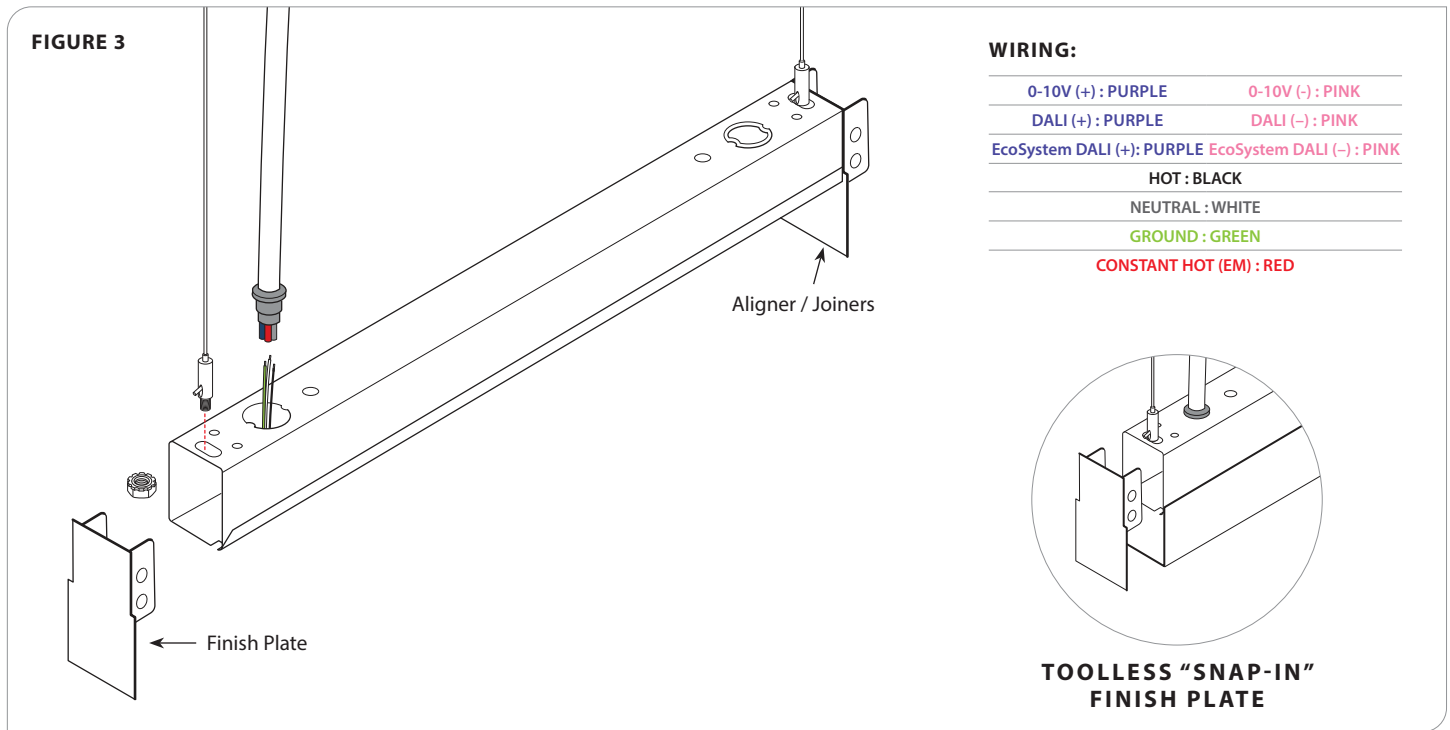


**WARNING:** Ground fixture in accordance with local and national electrical codes. Failure to do so may result in serious personal injury. Fixture Installations should ONLY be done by a qualified licensed electrical professional.



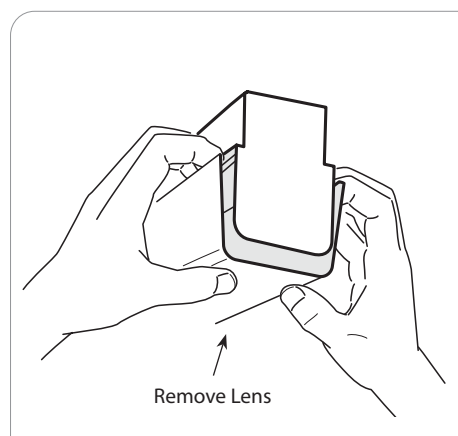
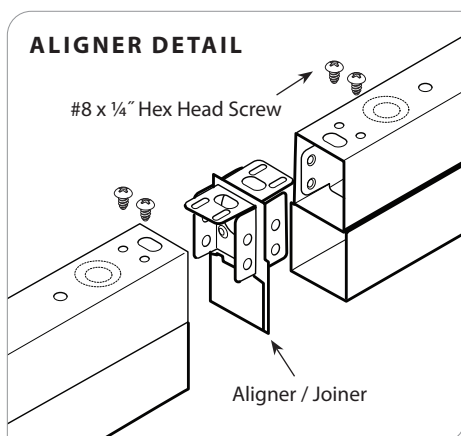
## INSTALLATION INSTRUCTIONS

### X1, X2, X6 (T-BAR)



### CONTINUOUS ROWS

1. Mount all support hardware to ceiling at required locations.
2. (Figure 3) Install cables on each end of first fixture. Install aligner on joining end of first fixture. Lift fixture and attach cables to installed hardware in the ceiling. Attach power feed cord and wire accordingly.
3. Install cable and joiner on the right end of the each adjoining fixture in the row. Secure the joiner with two screws. No joiner will be added to the last fixture in the row. Attach each fixture to row separately. Secure fixture to joiner with two screws. Plug internal circuit assembly quick connect for continuous power.
4. If any of the fixtures contain an internal EM driver, remove the LED cover and plug the EM Driver connectors. Only do this after normal AC power has been applied to the entire row.
5. Install finish plate at each end of row (see finish plate detail above).

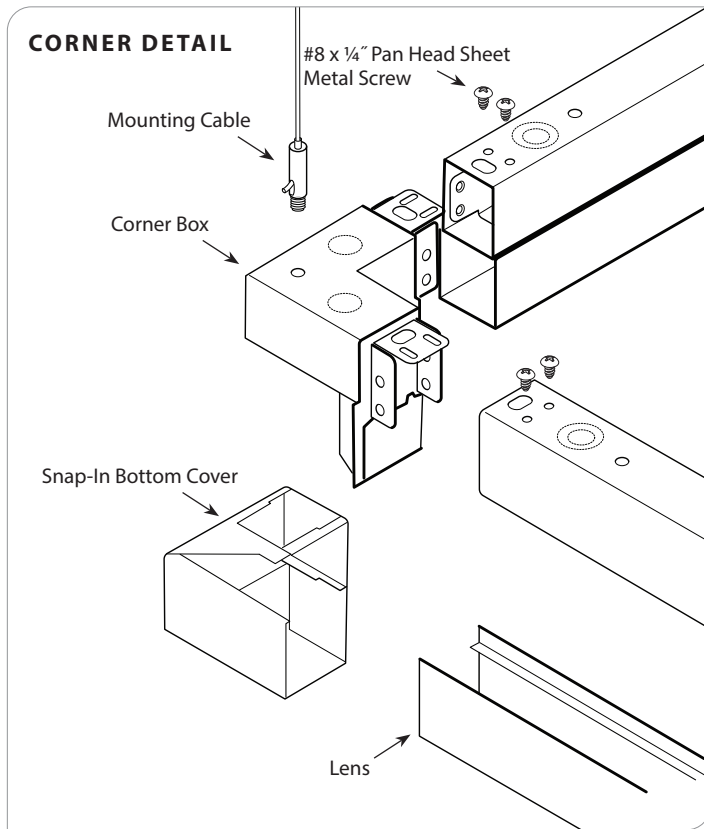


**WARNING:** Ground fixture in accordance with local and national electrical codes. Failure to do so may result in serious personal injury. Fixture Installations should ONLY be done by a qualified licensed electrical professional.



## INSTALLATION INSTRUCTIONS

### X1, X2, X6 (T-BAR)



### CORNER DETAIL INSTRUCTIONS

1. Screw aircraft cable into mounting location on top of corner box.
2. Run circuit assembly quick connect from adjoining fixture into one end of corner box and out the other end.
3. Snap both legs of corner box into adjoining fixtures and secure on top with screws.
4. Snap-on bottom corner box cover.

**WARNING:** Ground fixture in accordance with local and national electrical codes. Failure to do so may result in serious personal injury. Fixture Installations should ONLY be done by a qualified licensed electrical professional.

# T-Bar (X1) | CAX1

## Adjustable Cable Support

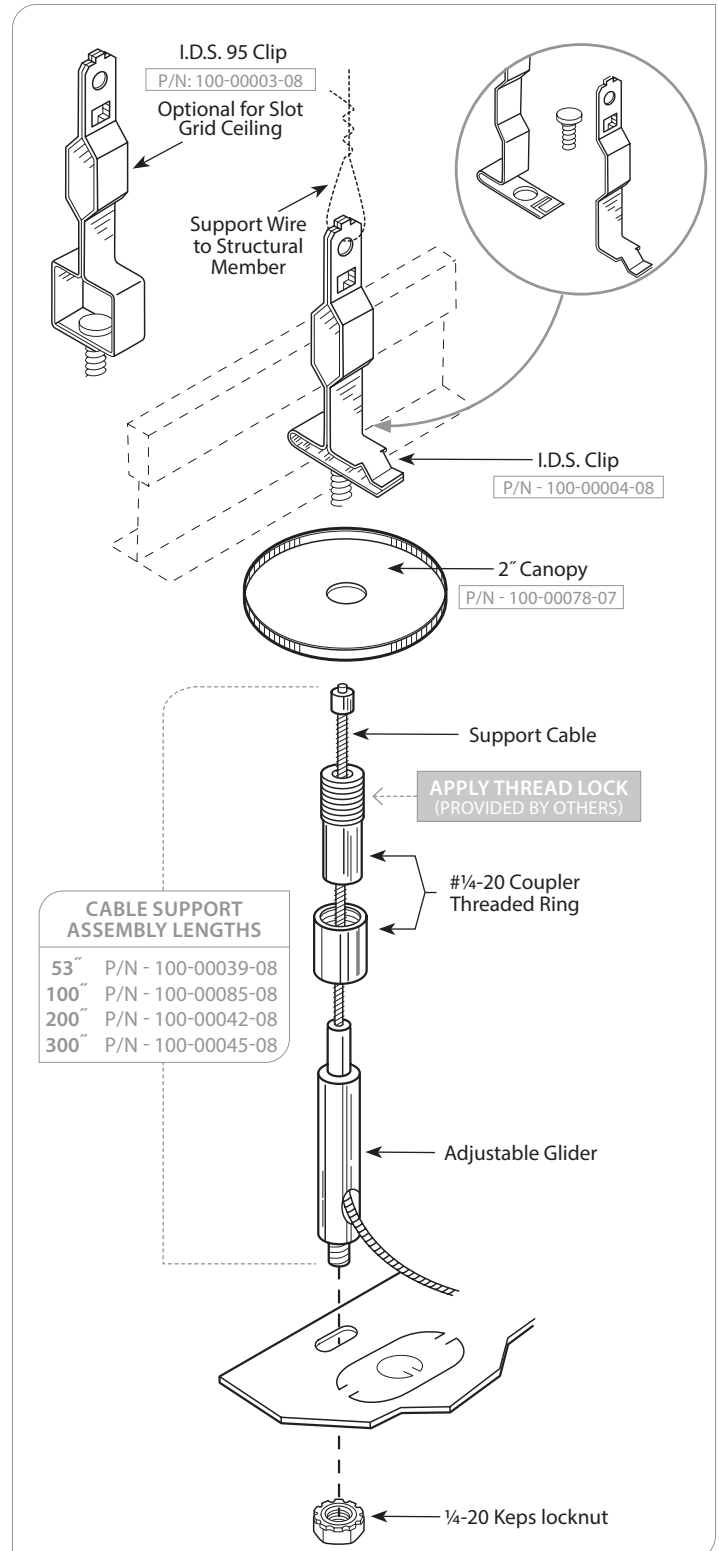
### INSTALLATION INSTRUCTIONS



### INSTALLATION

1. Place 1/4-20 stud into square opening on the bottom of I.D.S. clip. Position I.D.S. clip on ceiling grid at required location. Secure clip to structural member by inserting support wire through 1/4" dia. hole located at top of I.D.S. clip (Wire provided by others).
2. Insert open end of support cable through top threaded end of 1/4-20 coupling. Pull cable until crimp stops inside threaded end of coupling.
3. Push open (non crimped) end of cable through top (smooth end of adjustable glider). Insert cable completely through glider. Glider will engage around cable to prevent slipping. Disengage glider by pressing top smooth end down. Hold in place and pull cable back for adjustment.
4. Insert threaded barrel of adjustable glider through fixture. Securely attach glider to fixture with lock washer and hex nut. (**DO NOT TIGHTEN WITH EXCESS FORCE**). Trim excess cable no less than 3" beyond cable outlet.
5. Lift glider/cable to ceiling (with fixture attached). Place 2" canopy over mounting stud on I.D.S. clip. Hold canopy against ceiling surface. Thread 1/4-20 coupling onto stud (Be sure coupling is secure).

**CAUTION:** Do not remove crimp from cable. Crimps are factory pressed onto cable for maximum strength. Prudential Lighting will not be responsible for damage or injuries which occur due to cable/crimp alterations. If different cable lengths are required, contact Prudential Lighting immediately.



**WARNING:** Ground fixture in accordance with local and national electrical codes. Failure to do so may result in serious personal injury. Fixture Installations should ONLY be done by a qualified licensed electrical professional.

# T-Bar (X1) | CCAX1

## Adjustable Cord / Cable Support

### INSTALLATION INSTRUCTIONS



PRUDENTIAL LTG.

PRULITE.COM 213.746.0360

## INSTALLATION

- Place 1/4-20 stud into square opening on the bottom of I.D.S. clip. Position I.D.S. clip on ceiling grid at required location. Place A.T. Clip onto ceiling grid. Slide A.T. clip against I.D.S. clip. Attach 3-1/2" octagonal electrical box to A.T. clip with 1/4-20 x 3/4" screw. Place washers between A.T. clip and electrical box. Secure box to grid. (See figure 1).
- Insert open end of support cable through top threaded end of 1/4-20 coupler. Pull cable until crimp stops inside threaded end of coupler. Push (Non-crimped end) of cable through top (smooth end of adjustable glider). Insert cable completely through glider. Hold in place and pull cable for adjustment. Insert threaded barrel of adjustable glider through fixture. Securely attach adjustable glider to fixture with lock washer and hex nut. (**DO NOT TIGHTEN WITH EXCESS FORCE**). Trim excess cable no less than 3" beyond cable outlet.
- Remove 1/2" round K.O. from the fixture. Contractor to field cut SJT cord at specified lengths and strip back a portion of outer insulation from one end of SJT cord. (Contractor to determine amount to be stripped). Insert stripped end of SJT cord through snap bushing. Press snap bushing and cord through 1/2" hole of the fixture. The cord should be secured with strain relief inside fixture.
- Place threaded ring over top of 1/4-20 coupler. Insert 1/4-20 coupler through 1 3/32" dia. center hole on canopy. Slip universal bushing and threaded bushing over top end of SJT cord. Let canopy rest on fixture end. Lift coupler/cable to ceiling with fixture attached. Thread 1/4-20 coupler onto I.D.S. stud. (Be sure coupler is secure). Adjust cable to require distance from ceiling surface.
- Use 1/2" nipple from canopy to electrical box. Trim SJT cord to required length and secure to electrical box with strain relief. Make all wire connections and replace electrical box cover. Lift canopy against ceiling surface. Apply a small amount of thread lock to coupler threaded area. Secure in place with threaded ring. Hold SJT cord under canopy and turn threaded bushing onto 1/2" nipple. Snap universal bushing into threaded bushing.

**NOTE:** Canopy will accommodate 3-1/2" octagonal electrical box. Electrical box must be attached to A.T. clip. Refer to NEC 370-16 for maximum electrical box fill. Clamp connector and electrical box provided by other.

**CAUTION:** Do not remove crimp from cable. Crimps are factory pressed onto cable for maximum strength. Prudential Lighting will not be responsible for damage or injuries which occur due to cable/crimp alterations. If different cable lengths are required, contact Prudential Lighting immediately.

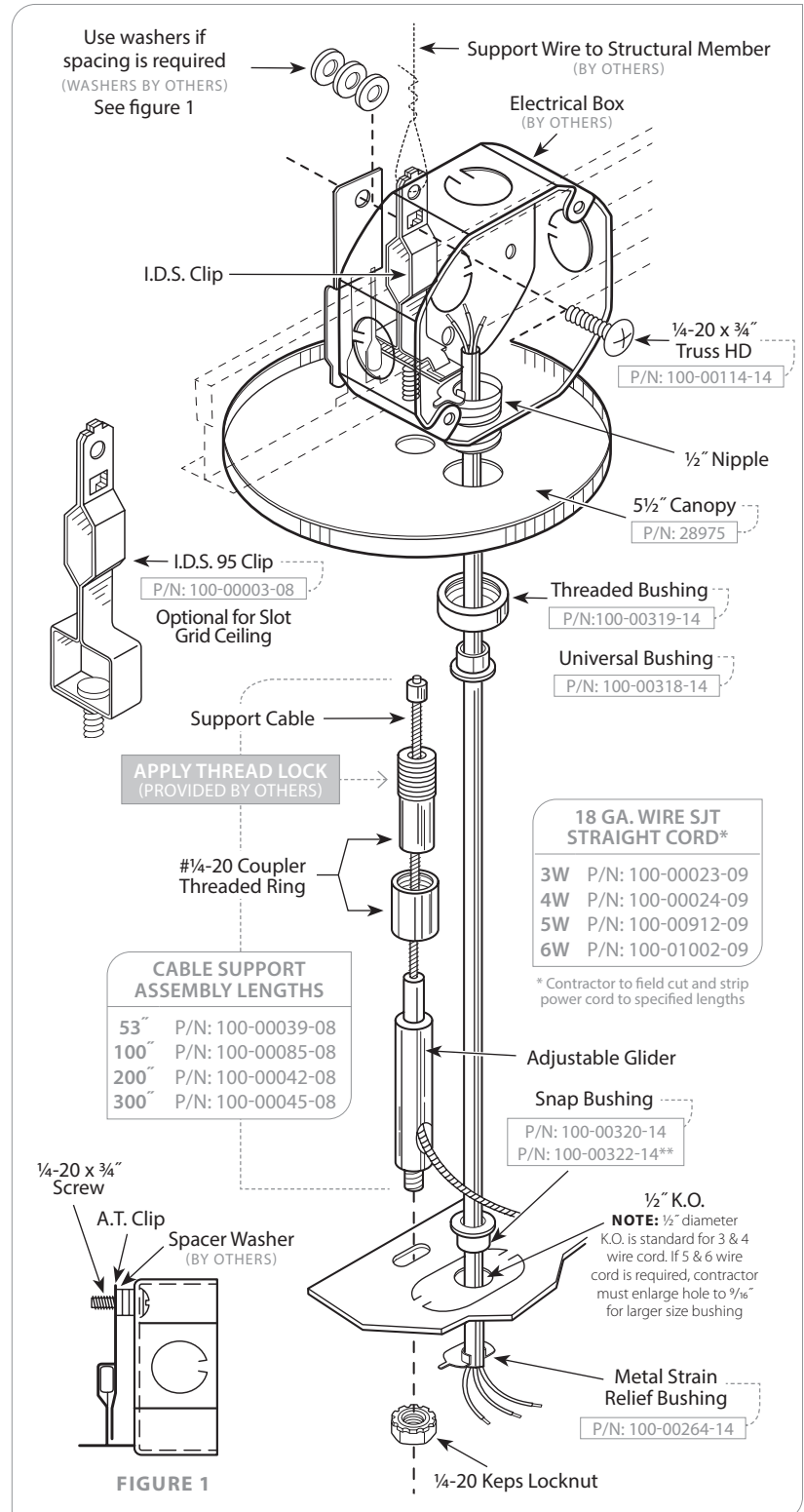


FIGURE 1

**WARNING:** Ground fixture in accordance with local and national electrical codes. Failure to do so may result in serious personal injury. Fixture Installations should ONLY be done by a qualified licensed electrical professional.