



# Bionic | Recessed Linear

## 4" Slot

### INSTALLATION INSTRUCTIONS

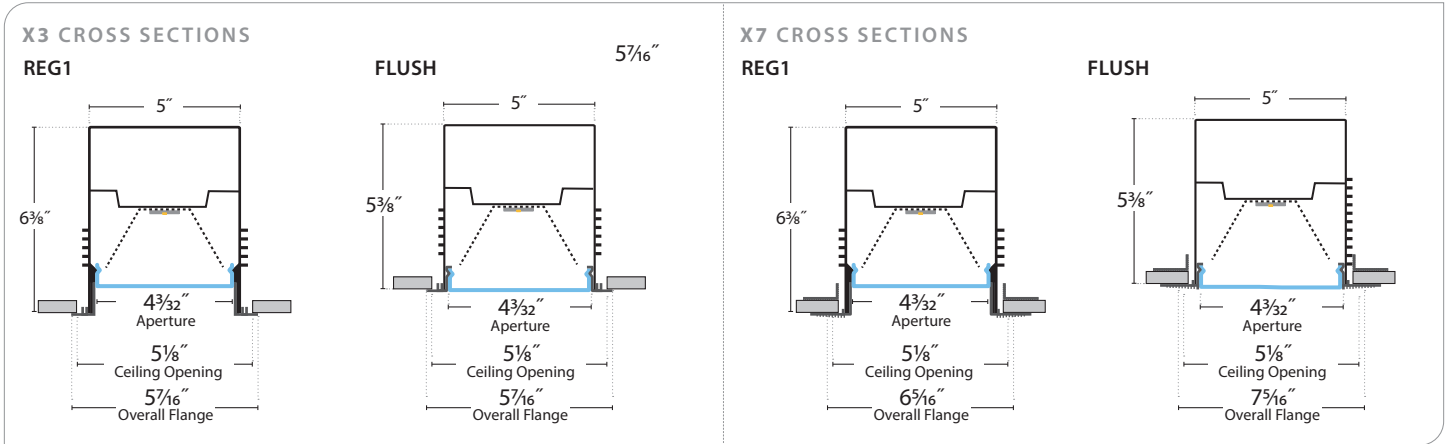
## CONTINUOUS RUN X3, X7



PRUDENTIAL LTG.

PRULITE.COM 213.746.0360

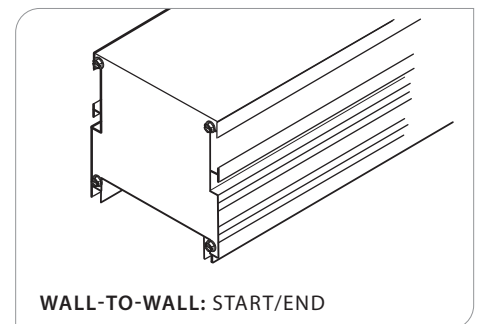
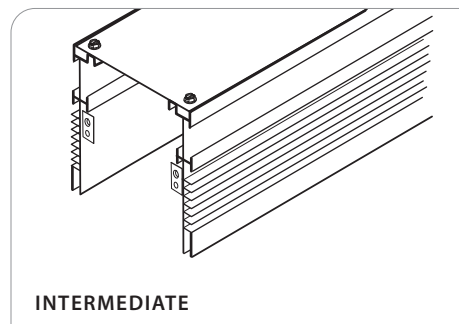
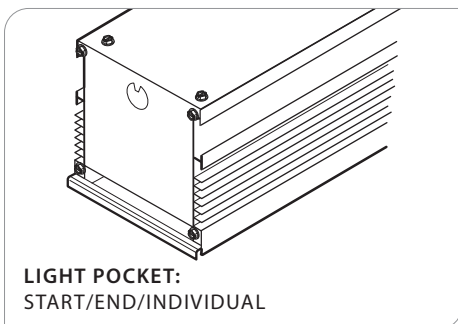
PARTS (SHIPPED SEPARATELY)	PART NO.	DESCRIPTION	PARTS (SHIPPED SEPARATELY)	PART NO.	DESCRIPTION
	—	Lens	<b>X3 TRIMS:</b>		
	100-00190-14	8-32 x 3/8" Self-Tapping Screw		—	X3 REG1 Side Trim
	100-00128-14	8-32 x 5/8" Flat HD Self-Tapping Screw		—	X3 FLUSH Side Trim
	100-00191-02	Adjustable Hanger Bracket	<b>X7 TRIMS:</b>		
	100-00066-02	Aligner Spline		—	X7 REG1 Side Trim
	82484	Lens Removal Tool		—	X7 FLUSH Side Trim
				—	X7 Backer Flange
				—	"U" Trim (LIGHT POCKET ONLY)



### IDENTIFYING HOUSING

- Start/end fixtures are capped on one end.
- Intermediate fixtures are not capped
- Individual fixtures are capped on both ends.

CEILING OPENING	LIGHT POCKET		WALL TO WALL	
	ROW LENGTH	+ 3/4"	ROW LENGTH	+ 1/2"



- Remove specular reflector protective coating (if required).

**WARNING:** Ground fixture in accordance with local and national electrical codes. Failure to do so may result in serious personal injury.



# Bionic | Recessed Linear 4" Slot

## INSTALLATION INSTRUCTIONS

### CONTINUOUS RUN X3, X7



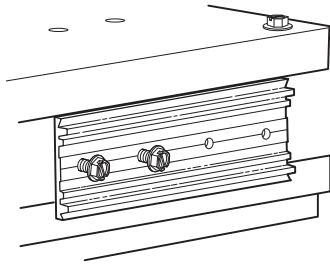
PRUDENTIAL LTG.

PRULITE.COM 213.746.0360

## INSTALLATION

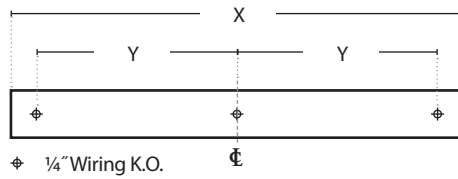
**NOTE:** Install fixture, hanger bracket, and aligner splines and secure to structure prior to drywall installation

- 1)** Install aligner splines on housing.  
— 2 per joint on Flush and Reg1.



- 2)** Secure fixture to structure with wire or 1/4-20 all-thread.

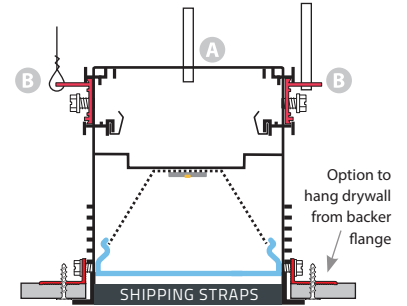
Mounting Detail (1) Housing Detail for 1/4-20



MOUNTING CONVERSION CHART:

X =	2'	3'	4'	5'	6'	7'	8'
Y =*	9"	15"	21"	27"	33"	39"	45"

\* From Centerline



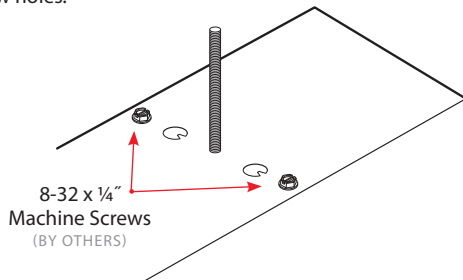
**OPTION A.**

Insert 1/4-20 all-thread. Can protrude into housing no more than 3/8"

**OPTION B.**

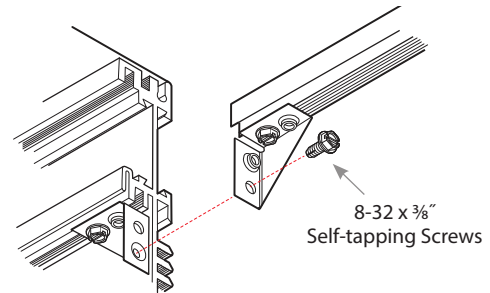
Hang 1/4-20 all-thread or wire from adjustable hanger bracket

- 3)** If additional holes are drilled in top plate for 1/4-20 all thread, support with additional #8 screws at closest locations to new holes.

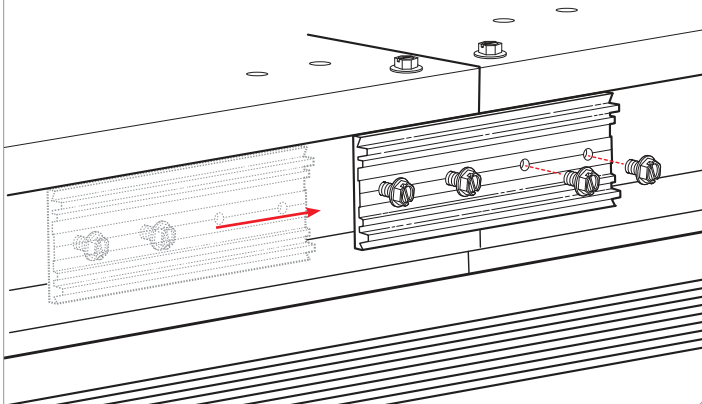


**WARNING:** Failure to properly install top screws will void warranty

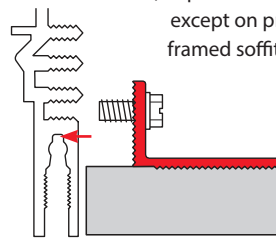
- 4)** Fasten inside joiner brackets on row mounted housings.



- 5)** Slide and tighten aligner splines over joints.

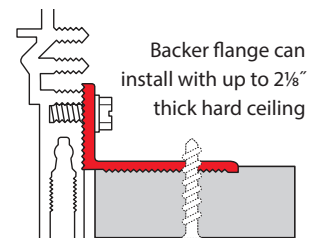


- 6)** Measure and install backer flanges (X7BF) at appropriate height. (Required for X7, except on pre-framed soffits.)



Drywall should be flush with housing

- 7)** Install drywall and self-tapping drywall screws into X7BF.



Drywall screws (by others) must be flush with drywall

**WARNING:** Ground fixture in accordance with local and national electrical codes. Failure to do so may result in serious personal injury.



# Bionic | Recessed Linear 4" Slot

## INSTALLATION INSTRUCTIONS

### CONTINUOUS RUN X3, X7



PRUDENTIAL LTG.

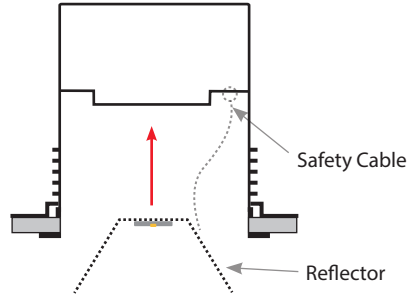
PRULITE.COM 213.746.0360

**8)** Remove shipping straps / aperture guides.

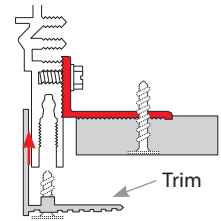


**9)**

Uninstall reflector where wiring fixture through top knockouts. Make electrical connections and reinstall reflector.

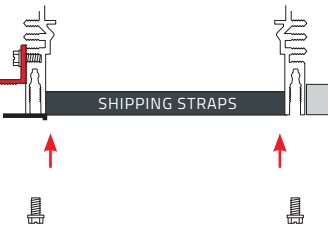


**10)** Install trim and secure to housing only.



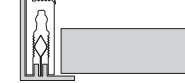
X7 — PROCEED TO STEP 11  
X3 — SKIP TO STEP 15

**11)** Re-install shipping straps / aperture guides. (X7 only).

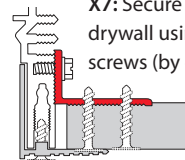


**12)** Install screws through backer flange (Recess.)

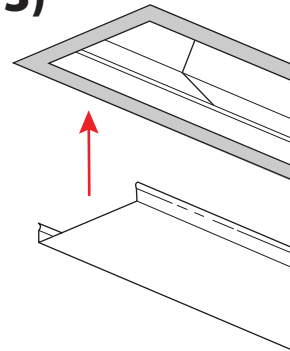
X3: Trims snap into housing with clips



X7: Secure trim to drywall using drywall screws (by others).



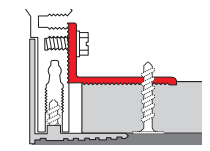
**13)**



**MUST TEST** lens fits in ALL (X7) applications before mud-in.

**14a)**

Tape and mud-in to trim edge (X7)



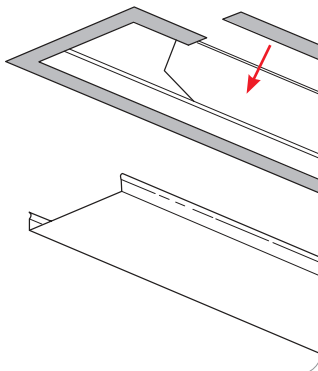
Tape and mud-in to trim (X7).

**14b)**

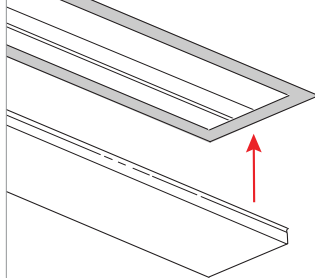
Remove shipping straps / aperture guides.



**15)** Install "U" end trims (LP) and straight trims, cut last piece to fit.

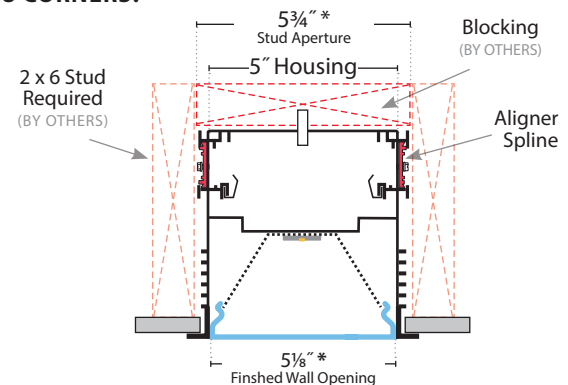


**16)** Install lensing, cut last piece to fit.



**NOTE:** Leave 1/16" air gap at each end of run. Table saw or chop saw with a 80T blade recommended.

**C8 CORNERS:**



\* Keep finished wall opening and studs aperture as specified in the wall cross section

**WARNING:** Ground fixture in accordance with local and national electrical codes. Failure to do so may result in serious personal injury.



# Bionic | Recessed Linear 4" Slot

## INSTALLATION INSTRUCTIONS

### CONTINUOUS RUN X3, X7



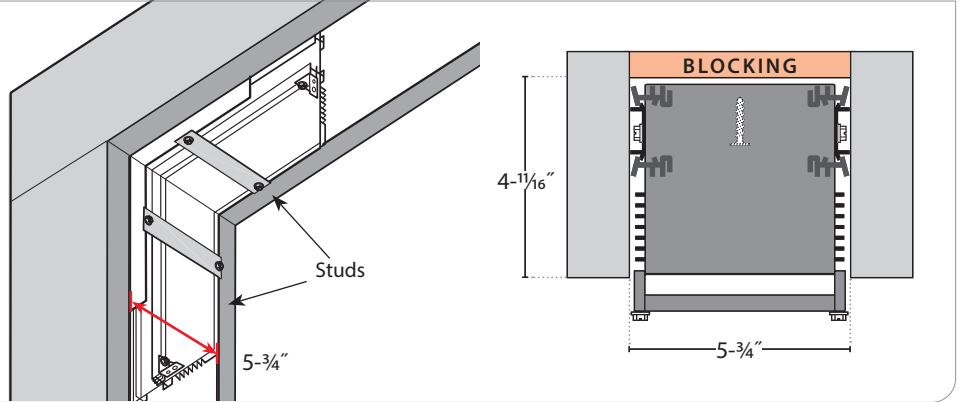
PRUDENTIAL LTG.

PRULITE.COM 213.746.0360

## C8I: CORNERS INSTALLATION

### 1) INSTALL C8I CORNER:

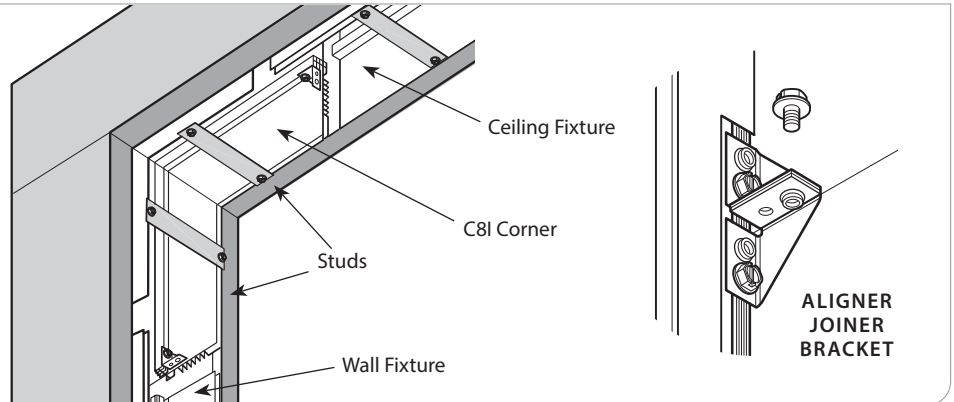
After removing reflectors and LED trays but leaving shipping straps, install C8I corner in a wall with a 5-3/4" stud clearance. Secure with screws through back of corner into blocking between studs (by others).



### 2) INSTALL ADJACENT SECTIONS:

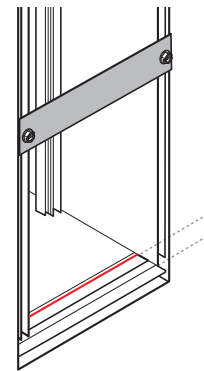
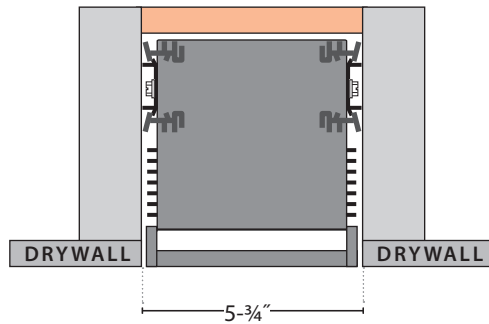
Continue installing straight sections from the corner moving outward according to row layouts in job drawing. Pull sections together with aligner joiner brackets, and secure to studs.

Pull electrical power into fixture.



### 3) INSTALL DRYWALL:

Install drywall, leaving a 5-3/4" opening for trim.



Confirm spacing at ends of rows, ensuring that there is enough room for installation of finish trim.

#### MINIMUM DISTANCES:

- X3 Light Pocket = 3/4"
- X7 Light Pocket = 1-3/4"
- Wall-to-Wall = 1/2"

**WARNING:** Ground fixture in accordance with local and national electrical codes. Failure to do so may result in serious personal injury.



Prudential Ltg. reserves the right to change design specifications or materials without notice. Please visit [prulite.com](http://prulite.com) for most current data.  
© 2015 All rights reserved – All products manufactured at: Prudential Ltg. 1774 E. 21st Street, Los Angeles, CA 90058



# Bionic | Recessed Linear 4" Slot

## INSTALLATION INSTRUCTIONS

### CONTINUOUS RUN X3, X7



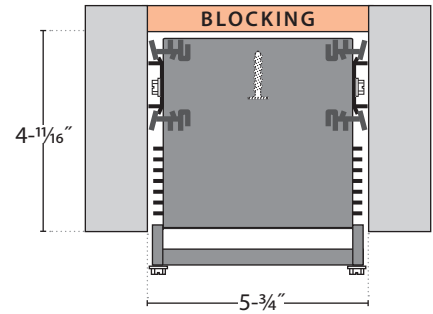
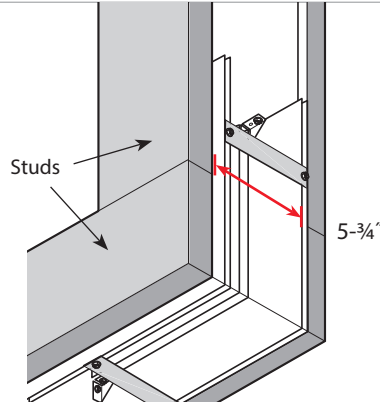
PRUDENTIAL LTG.

PRULITE.COM 213.746.0360

## C80: CORNERS INSTALLATION

### 1) INSTALL C80 CORNER:

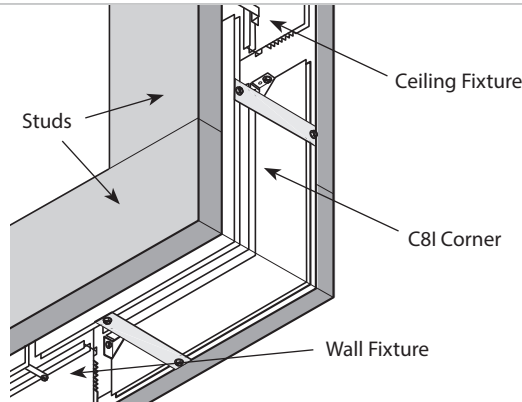
After removing reflectors and LED trays but leaving shipping straps, install C8 corner in a wall with a 5-3/4" stud clearance. Secure with screws through back of corner into blocking between studs (by others).



### 2) INSTALL ADJACENT SECTIONS:

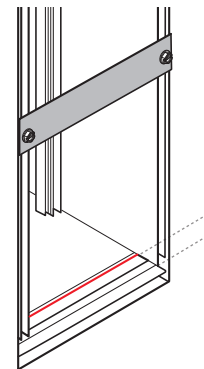
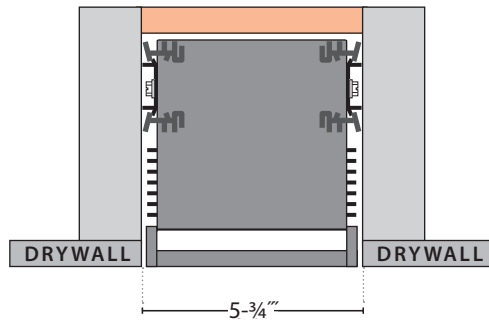
Continue installing straight sections from the corner moving outward according to row layouts in job drawing. Pull sections together with aligner joiner brackets, and secure to studs.

Pull electrical power into fixture.



### 3) INSTALL DRYWALL:

Install drywall, leaving a 5-3/4" opening for trim.



Confirm spacing at ends of rows, ensuring that there is enough room for installation of finish trim.

#### MINIMUM DISTANCES:

- X3 Light Pocket = 3/4"
- X7 Light Pocket = 1-3/4"
- Wall-to-Wall = 1/2"

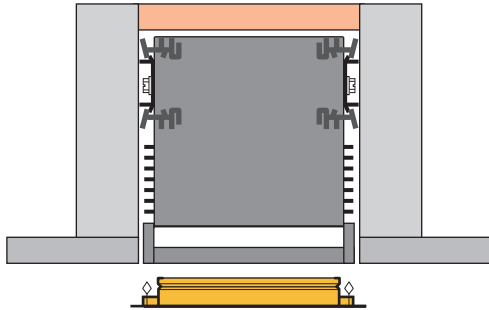
**WARNING:** Ground fixture in accordance with local and national electrical codes. Failure to do so may result in serious personal injury.



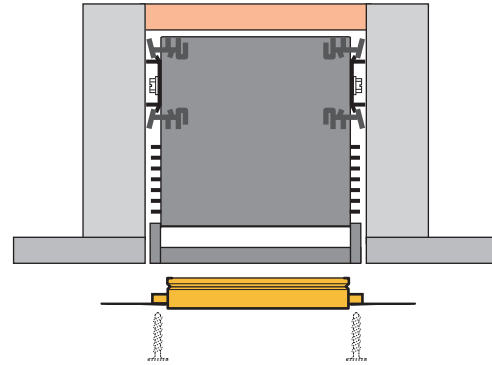
## CONTINUOUS RUN X3, X7

### C81/C80: CORNERS INSTALLATION

**4)** Remove shipping straps from installed sections.



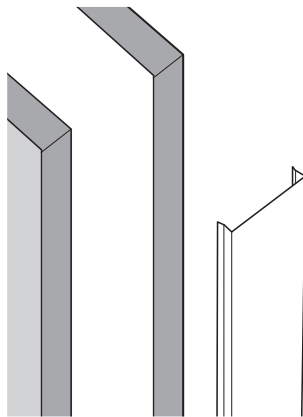
**X3 TRIM:** Install trim with clips into edge slots  
**SKIP TO STEP 7**



**X7 TRIM:** Install trim with screws through drywall into studs. Secure to fixture with 8-32 x 3/8" Flat head screws.

**5) CHECK LENS FIT:**

Check to make sure that lens snaps in to installed body. If lenses do not fit, remove drywall and adjust mounting screws to open or close aperture for a better fit. Then reinstall drywall and trim and recheck lens fits.

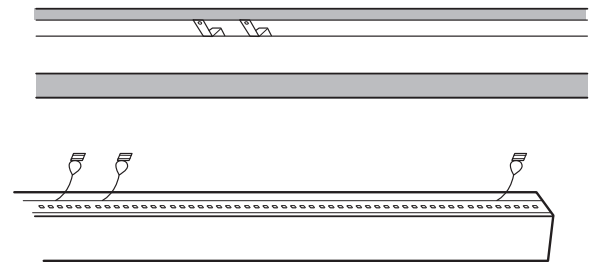


**6) MUD-IN X7 TRIM:**

Feather drywall mud to bead on inside edge of trim.



**7)** Attach reflector assemblies into installed bodies and make electrical connections. Test fixture lighting and dimming.



**8) INSTALL LENSES:**

Starting again at the corner and moving outward, install lenses according to row layouts in job drawing. Trim lenses to fit at end of rows.

**WARNING:** Ground fixture in accordance with local and national electrical codes. Failure to do so may result in serious personal injury.