



Bionic | Recessed Linear 4" Slot

INSTALLATION INSTRUCTIONS

CONTINUOUS RUN X1, X1M, X2, X6

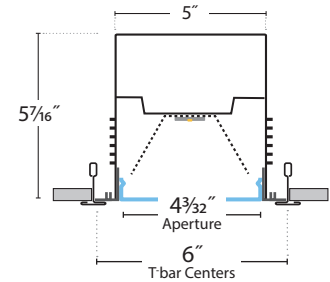


PRUDENTIAL LTG.

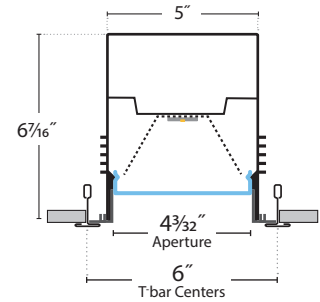
PRULITE.COM 213.746.0360

PARTS (SHIPPED SEPARATELY)	PART NO.	DESCRIPTION
	—	Lens
	100-00190-14	8-32 x 3/8" Self-Tapping Screw
	100-00191-02	Adjustable Hanger Bracket
	100-00107-02	T-Bar Grid Bracket
	100-00066-02	Aligner Spline
	82484	Lens Removal Tool
	—	X1 Trim
	—	X1M Trim
	—	X2 X6 Trim
	—	"U" Trim (LIGHT POCKET ONLY)

CROSS SECTIONS



FLUSH

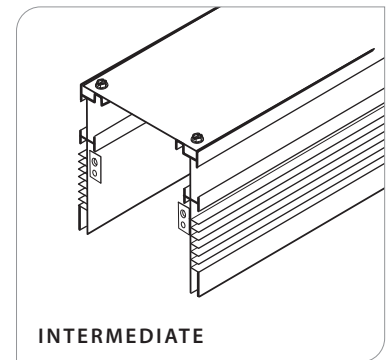
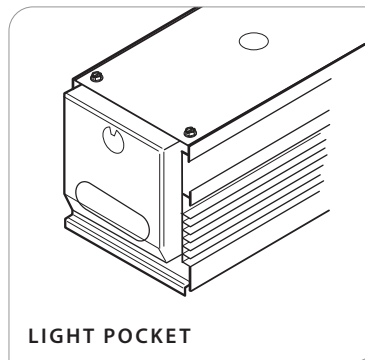
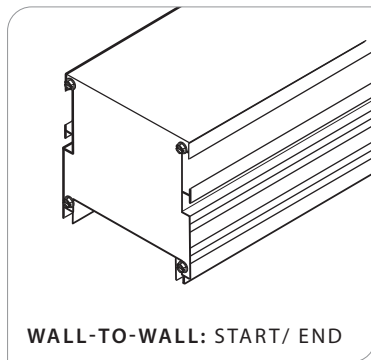


REG1

IDENTIFYING HOUSING

- Start/end fixtures are capped on one end.
- Intermediate fixtures are not capped.
- Individual fixtures are capped on both ends.

— Remove specular reflector protective coating (if required).



WARNING: Ground fixture in accordance with local and national electrical codes. Failure to do so may result in serious personal injury.



Bionic | Recessed Linear 4" Slot

INSTALLATION INSTRUCTIONS

CONTINUOUS RUN X1, X1M, X2, X6

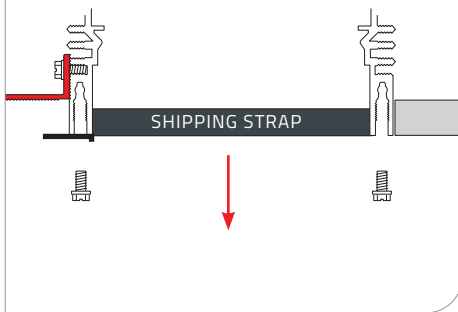


PRUDENTIAL LTG.

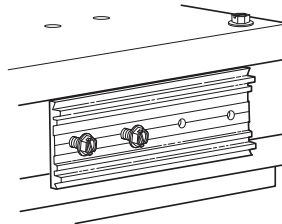
PRULITE.COM 213.746.0360

INSTALLATION

1) Remove shipping straps

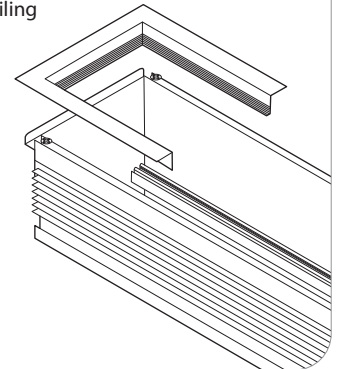


2) Install aligner splines on housing



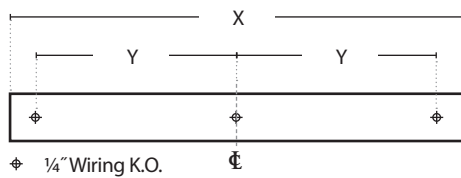
Two at every joint on outside or inside housing with #8 screws (provided) — finger snug

3) Attach all trims prior to installing fixture in ceiling



4) Secure fixture to structure with wire and all thread. (Multiple options.)

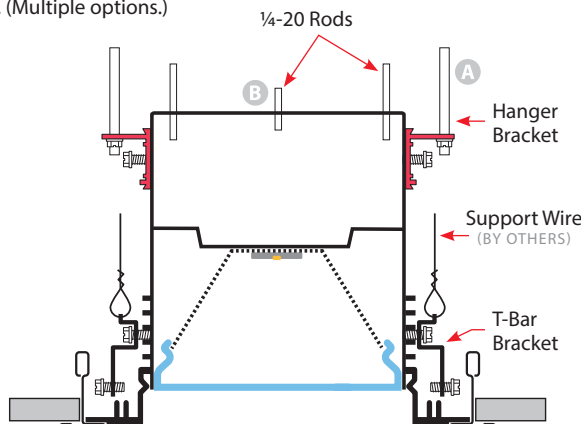
Mounting Detail (1) Housing Detail for 1/4-20



Mounting Conversion Chart

X=	2'	3'	4'	5'	6'	7'	8'
Y=* From Centerline	9"	15"	21"	27"	33"	39"	45"

* From Centerline



It is recommended to use t-bar brackets to secure the fixture to t-Bar, along with one of the following options:

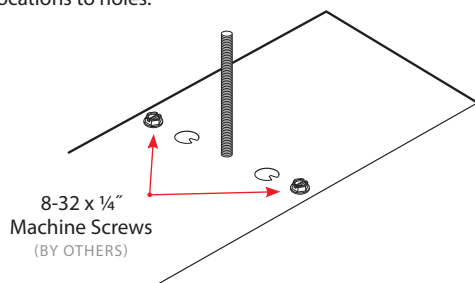
OPTION A.

Slide hanger bracket into housing sides and secure with 8-32 screws. Attach to structure with 1/4-20 all-thread OR hanger wire and secure with nut.

OPTION B.

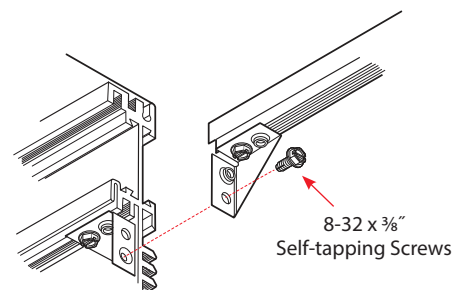
Insert 1/4-20 all-thread through top of fixture and secure with nut.

5) If additional holes are drilled in top plate for 1/4-20 all thread, support top plate with additional 8-32 screws at closest locations to holes.



CAUTION: Failure to properly install top screws will void warranty

6) Fasten inside joiner brackets on row mounted housing.



WARNING: Ground fixture in accordance with local and national electrical codes. Failure to do so may result in serious personal injury.



Bionic | Recessed Linear 4" Slot

INSTALLATION INSTRUCTIONS

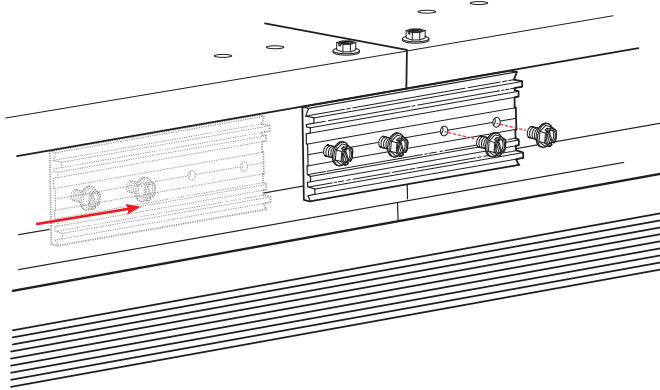
CONTINUOUS RUN X1, X1M, X2, X6



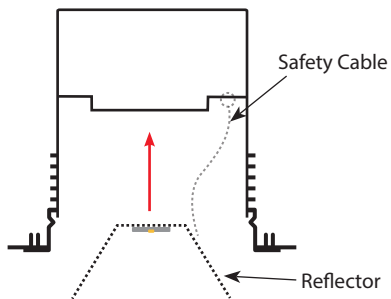
PRUDENTIAL LTG.

PRULITE.COM 213.746.0360

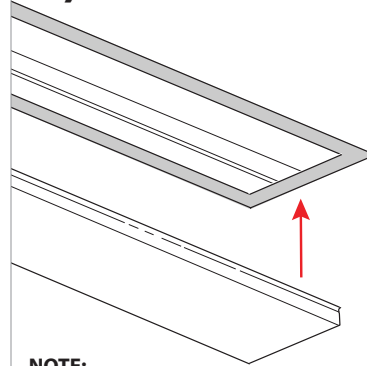
7) Slide and tighten aligner splines over joints.



8) Uninstall reflector where wiring fixture through top knockouts. Make electrical connections and reinstall reflector.



9) Install lensing, cut last piece to fit.



NOTE:

Leave 1/16" air gap at each end of run. Table saw or chop saw with a 80T blade recommended.

WARNING: Ground fixture in accordance with local and national electrical codes. Failure to do so may result in serious personal injury.



Prudential Ltg. reserves the right to change design specifications or materials without notice. Please visit prulite.com for most current data.
© 2015 All rights reserved – All products manufactured at: Prudential Ltg. 1774 E. 21st Street, Los Angeles, CA 90058