

MicroWash™ | Asymmetric Wall Wash

Remote Driver

INSTALLATION INSTRUCTIONS

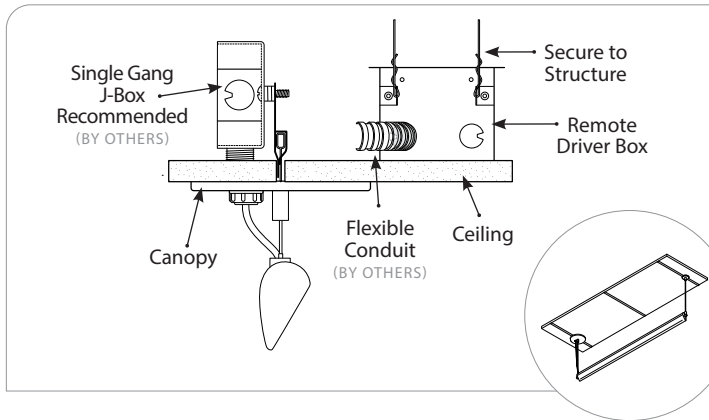
MOUNTING DETAILS



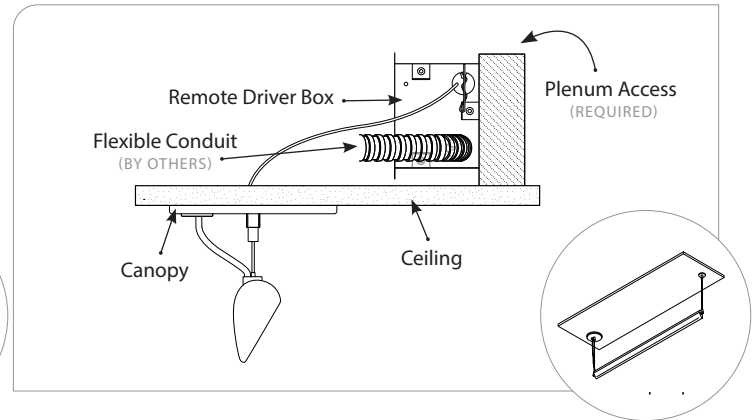
PRUDENTIAL LTG.

PRULITE.COM 213.746.0360

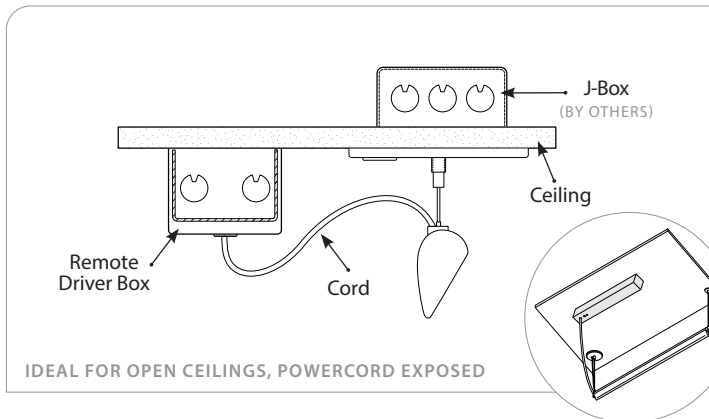
X1P: T-Bar (Plenum Access Required)



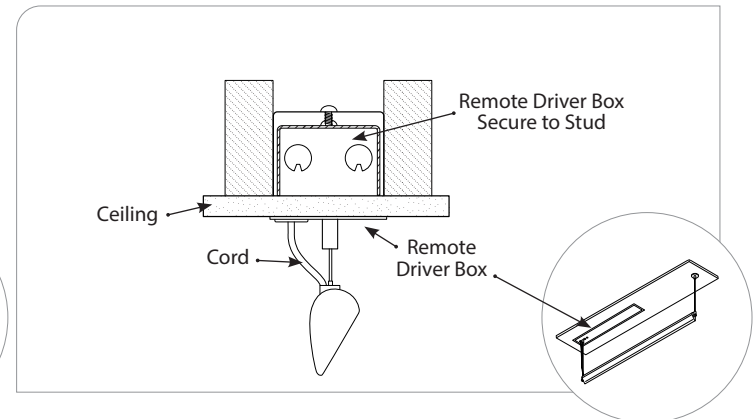
X3P: Hard Ceiling (Plenum Access Required)



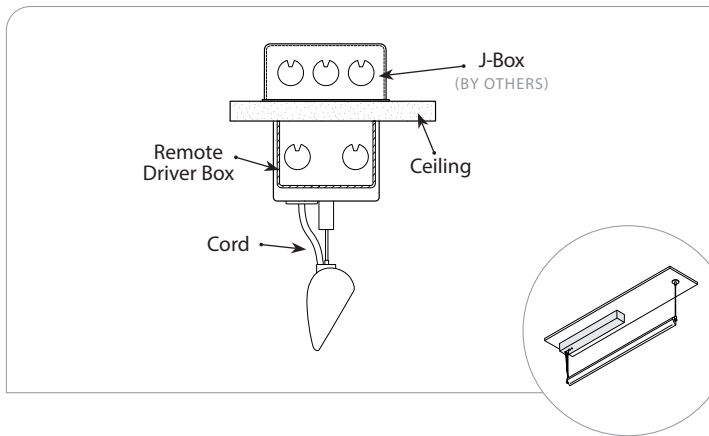
SUR1: Surface Mount Box Separately



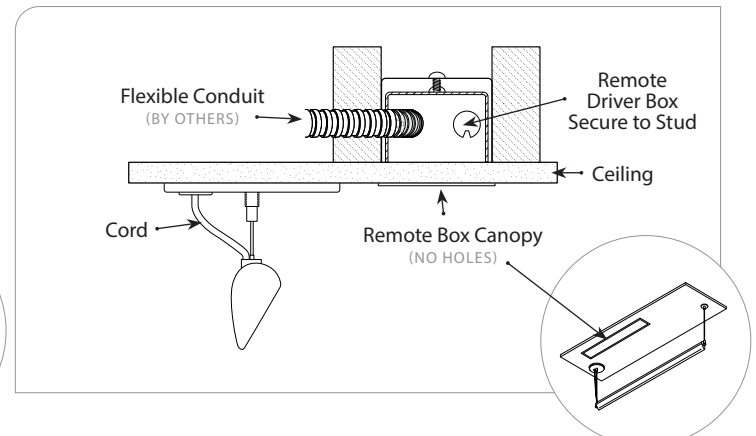
X3D: Hard Ceiling (Mount Fixture Directly to Box)



SUR2: Surface Mount to Box Directly



X3S: Hard Ceiling (Mount Box Separately)



REMOTE DRIVER DISTANCE FROM FIXTURES

- 100' Maximum, Consult factory for longer distances.
- 16' maximum distance is recommended to avoid EMI (Electro Magnetic Interference) issues.

WARNING: Ground fixture in accordance with local and national electrical codes. Failure to do so may result in serious personal injury. Fixture Installations should ONLY be done by a qualified licensed electrical professional.

MicroWash™ | Asymmetric Wall Wash

Remote Driver

INSTALLATION INSTRUCTIONS

MOUNTING DETAILS

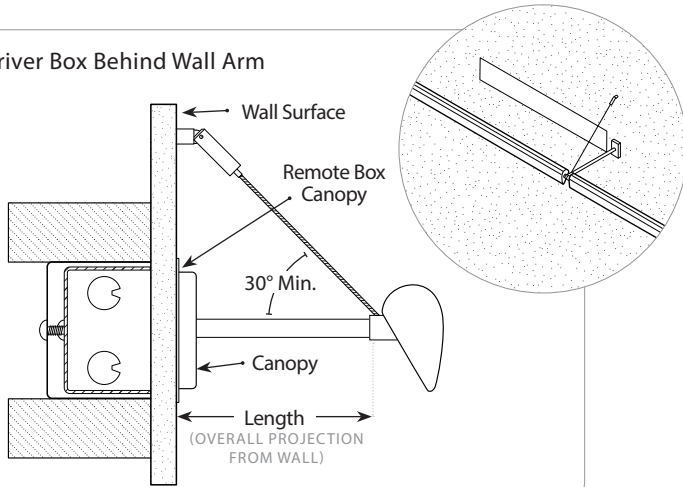


PRUDENTIAL LTG.

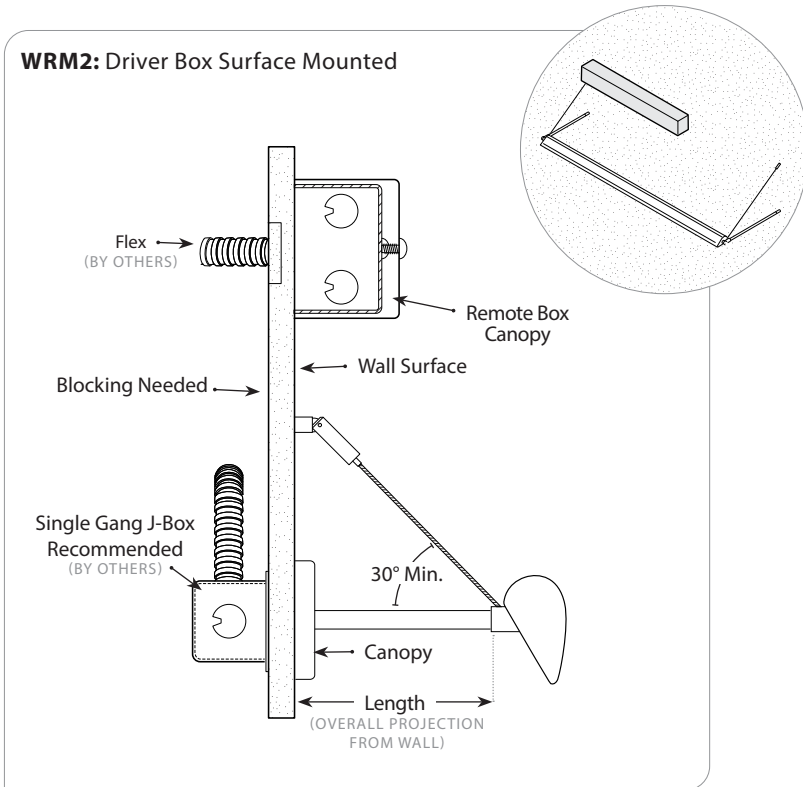
PRULITE.COM 213.746.0360

WALL ARM

WRM1: Driver Box Behind Wall Arm



WRM2: Driver Box Surface Mounted



WARNING: Ground fixture in accordance with local and national electrical codes. Failure to do so may result in serious personal injury. Fixture Installations should ONLY be done by a qualified licensed electrical professional.