



INSTALLATION INSTRUCTIONS

X1, X1M, X1T, X2, X6 (T-BAR)

PART	PART NO.	DESCRIPTION
GRID BRACKETS:		
	106700	Flush
	139669	Reg.5
	139670	Reg 1
	139671	Reg 3
	100-00299-14	#6-32 x 3/16" Phillips Pan Head Screw

RAIL EXTRUSION:		
	100-00387-02	T-Bar Rail
	100-00367-14	1/4"-20 Locknut
	100-00337-14	1/4" Washer 3/32" ID - 5/8" OD
	100-00365-14	1/4"-20 x 3" Hex Head Screw

	See Order	Louvers
	100-00359-14	#4-40 x 1/4" Flat Head Phil Machine Screw
	100-00283-14	1/4"-20 x 5" Round Head Combination Drive Machine Screw
	100-00255-14	1/4"-20 KEPS Hex Nut
	100-00040-20	Tape Strips
	100-00299-14	#6 Reflector Screws
	100-00311-14	Taper Pin (Shipped Installed)
	100-00486-10	Seam Reflector
	100-00380-02	Regress Trim Aligner

PART	SIZE	PART NO.	DESCRIPTION
LENS TOOL:			
	2"	100-00462-10	White
		100-00508-10	BPRO2 Lens Tool Clamp (REGRESS 3 ONLY)
	3"	100-00464-10	Natural
	4"	100-00465-10	Black
	5"	100-00463-10	White
STIFFENER:			
	2"	106695	
	3"	106694	FOR FILLER FIXTURES ONLY
	4"	106693	
	5"	106692	
	100-00212-14	#6-32 x 1/4" Flat Phillips Head Undercut Screw, Type F (4 SCREWS PER STIFFENER)	

END PLATE REFLECTOR:			
	2"	100-00482-10	
	3"	100-00483-10	FOR NON-WHITE PAINTED FIXTURES ONLY
	4"	100-00484-10	
	5"	100-00485-10	

END PLATES:			
	2"	111067	
	3"	111068	Wall-to-Wall
	4"	111069	
	5"	111070	
	100-00212-14	#6-32 x 1/4" Flat Phillips Head Undercut Screw, Type F	
	See Page 2		Light Pocket
	100-00300-14		End Cap Counter Sink #6-32 x 3/4" Screw

UNTHREADED BUMPERS:			
FOR NON-LOUVER FIXTURES —			
	100-00368-14	1/2" OD 3/16" High	
	100-00363-14	#4-40 x 1/4" Phil Round Head Screw	
FOR LOUVER FIXTURES —			
	100-00369-14	1/2" OD 3/8" High	
	100-00364-14	#4-40 x 5/16" Phil Round Head Screw	

WARNING: Ground fixture in accordance with local and national electrical codes. Failure to do so may result in serious personal injury.



INSTALLATION INSTRUCTIONS

X1, X1M, X1T, X2, X6 (T-BAR)

END CAPS (NO LOUVERS)		FLUSH		REGRESS 0.5"		REGRESS 1"		REGRESS 3"	
		START	END	START	END	START	END	START	END
X1 / X1M	BPRO2	106490	106506	139563	139564	138489	138490	135730	135731
	BPRO3	106491	106507	139583	139584	138509	138510	135740	135741
	BPRO4	106492	106508	139603	139604	138529	138530	135750	135751
	BPRO5	106493	106509	139623	139624	138549	138550	135760	135761
X1T	BPRO2	106502	106518	139571	139572	138497	138498	135734	135735
	BPRO3	106503	106519	139591	139592	138517	138518	135744	135745
	BPRO4	106504	106520	139611	139612	138537	138538	135754	135755
	BPRO5	106505	106521	139631	139632	138557	138558	135764	135765
X2 / X6	BPRO2	106494	106510	139567	139568	138493	138494	135732	135733
	BPRO3	106495	106511	139587	139588	138513	138514	135742	135743
	BPRO4	106496	106512	139607	139608	138533	138534	135752	135753
	BPRO5	106497	106513	139627	139628	138553	138554	135762	135763

END CAPS (FOR LOUVERS)		FLUSH		REGRESS 1"		REGRESS 3"	
		START	END	START	END	START	END
X1 / X1M	BPRO2	139565	139566	138491	138492	138127	138128
	BPRO3	139585	139586	138511	138512	138137	138138
	BPRO4	139605	139606	138531	138532	138147	138148
	BPRO5	139625	139626	138551	138552	138157	138158
X1T	BPRO2	139573	139574	138499	138500	138131	138132
	BPRO3	139593	139594	138519	138520	138141	138142
	BPRO4	139613	139614	138539	138540	138151	138152
	BPRO5	139633	139634	138559	138560	138161	138162
X2 / X6	BPRO2	139569	139570	138495	138496	138129	138130
	BPRO3	139589	139590	138515	138516	138139	138140
	BPRO4	139609	139610	138535	138536	138149	138150
	BPRO5	139629	139630	138555	138556	138159	138160

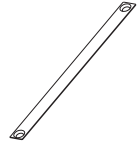
WARNING: Ground fixture in accordance with local and national electrical codes. Failure to do so may result in serious personal injury.






INSTALLATION INSTRUCTIONS

X1, X1M, X1T, X2, X6 (T-BAR)

LRT (LINEAR TO RECESSED TRANSITION PLATES):

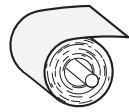
	DIRECT TO REC/PER	DIRECT/INDIRECT TO REC/PER
	2" — 135770	135774
	3" — 135771	135775
	4" — 135772	135776
	5" — 135773	135777

FTR (FEATHERING DIFFUSER):

	100-00843-10 Diffuser
	100-00374-14 Nylon Spacer Washer
	100-00182-14 6-32 x 1/2" Screw

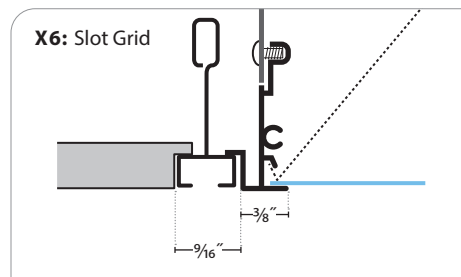
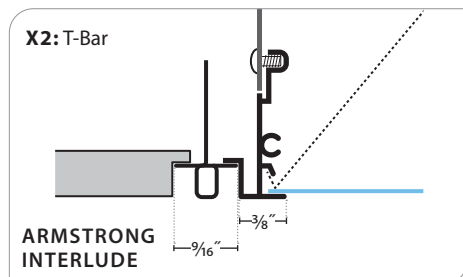
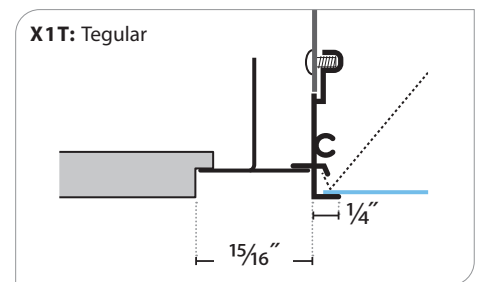
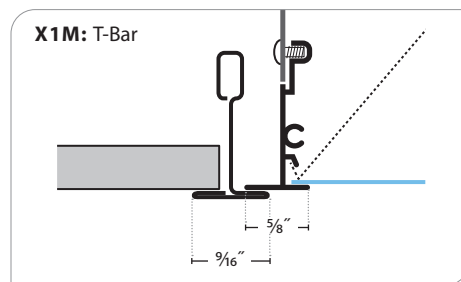
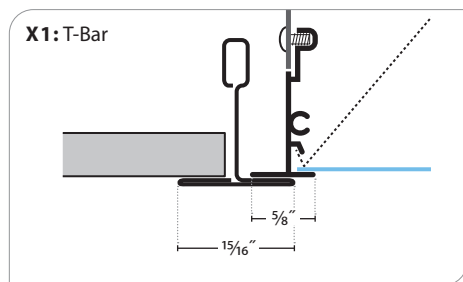
PARTS LIST

LENS OPTIONS:



SIZE	PART NO.	SAL (SATIN ACRYLIC)	PFL (PERIMETER FILL)	MGZ (MEDIUM WALL GRAZE)
2" —	100-00966-18		100-00978-18	100-01004-18
3" —	100-00967-18		100-00979-18	100-01005-18
4" —	100-00968-18		100-00980-18	100-01006-08
5" —	100-00969-18		100-00981-18	100-01007-18

CEILING SYSTEMS:



WARNING: Ground fixture in accordance with local and national electrical codes. Failure to do so may result in serious personal injury.



INSTALLATION INSTRUCTIONS

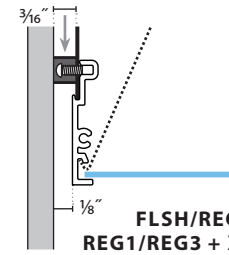
PRULITE.COM 213.746.0360

X1, X1M, X1T, X2, X6 (T-BAR)

WALL TO GRID DIMENSIONS:

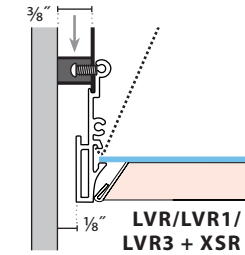
APERTURE	FLUSH TO WALL				XSR SHADOW REVEAL (OPTIONAL)			
	X = CEILING OPENING							
NO LOUVERS	2 1/2"	3 1/2"	4 1/2"	5 1/2"	2 5/8"	3 3/8"	4 5/8"	5 5/8"
WITH LOUVERS	2 5/8"	3 3/8"	4 5/8"	5 5/8"	2 13/16"	3 13/16"	4 13/16"	5 13/16"

UNTHREADED BUMPER
P/N: 100-00368-14

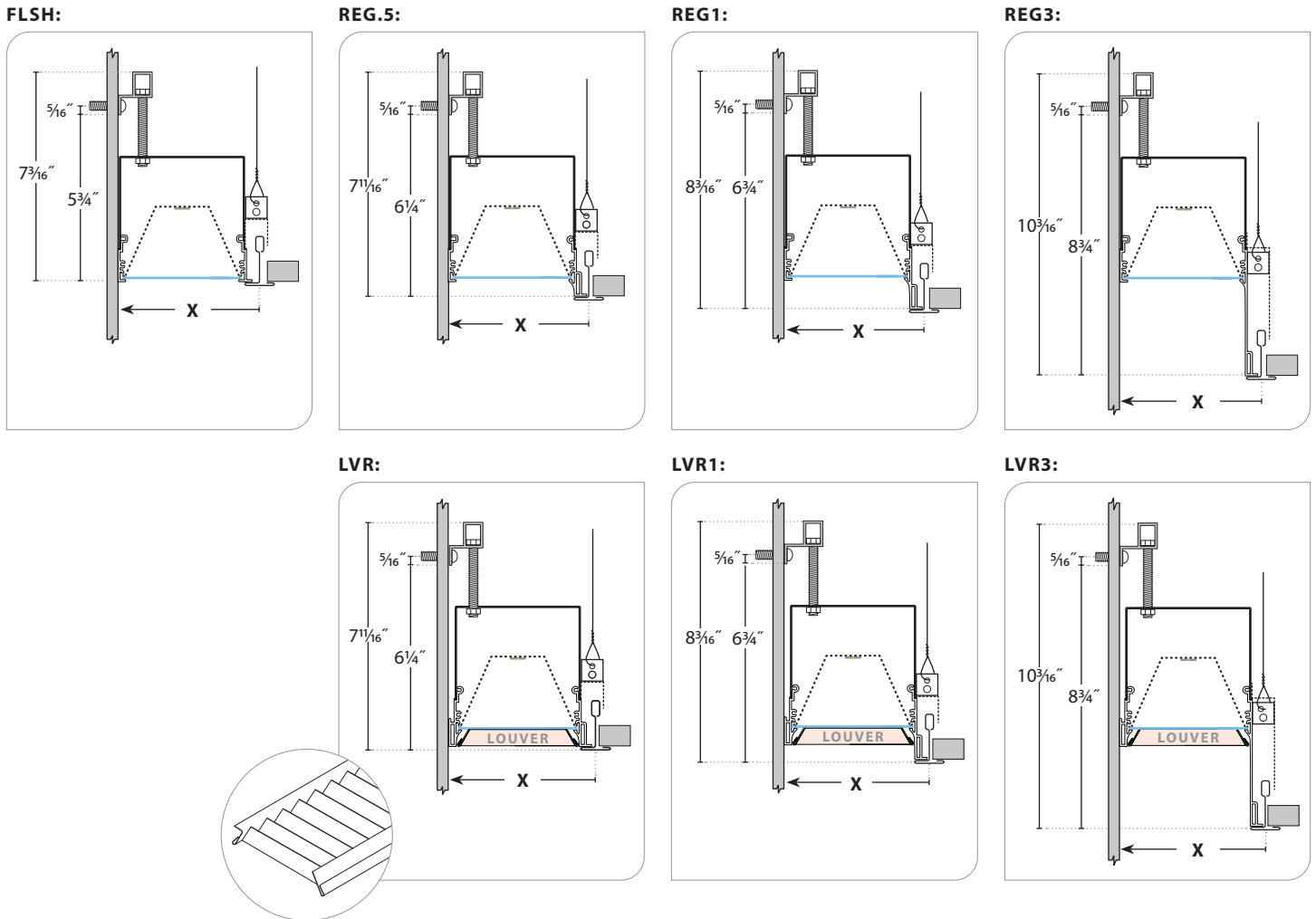


**FLSH/REG.5/
REG1/REG3 + XSR**

UNTHREADED BUMPER
P/N: 100-00369-14



**LVR/LVR1/
LVR3 + XSR**



WARNING: Ground fixture in accordance with local and national electrical codes. Failure to do so may result in serious personal injury.



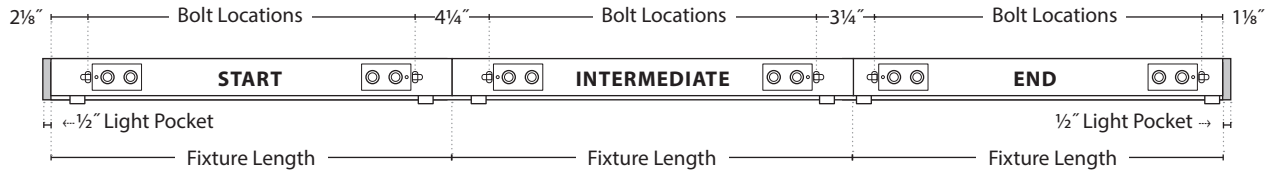
INSTALLATION INSTRUCTIONS

PRULITE.COM 213.746.0360

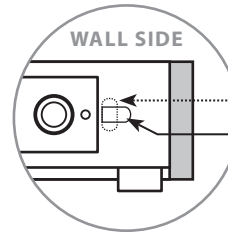
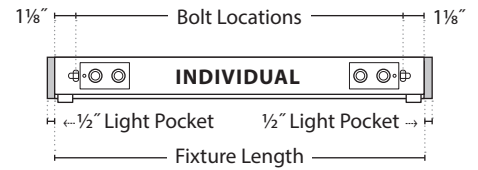
X1, X1M, X1T, X2, X6 (T-BAR)

BPRO2

LIGHT POCKET (LP):



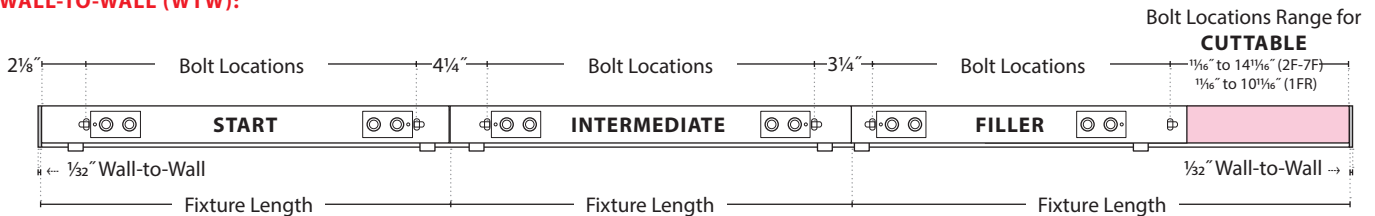
	FIXTURE LENGTHS		BOLT LOCATIONS
	Start / Intermediate	End / Individual	
2'	24"	22"	19 3/4"
3'	36"	34"	31 3/4"
4'	48"	46"	43 3/4"
5'	60"	58"	55 3/4"
6'	72"	70"	67 3/4"
7'	84"	82"	79 3/4"
8'	96"	94"	91 3/4"



BOLT LOCATIONS

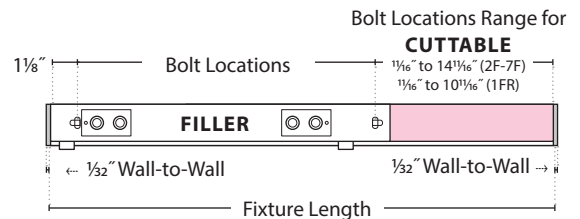
XSR / LOUVER
NON XSR / NON LOUVER

WALL-TO-WALL (WTW):

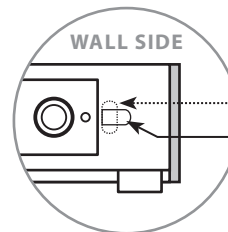


Bolt Locations Range for **CUTTABLE**
1/16" to 14 1/16" (2F-7F)
1/16" to 10 1/16" (1FR)

	FIXTURE LENGTH		BOLT LOCATIONS	
	Start / Intermediate	Filler	Start / Intermediate	Filler
—	—	—	—	—
2'	24"	16" - 26"	19 3/4"	14 1/8"
3'	36"	24" - 38"	31 3/4"	22 1/8"
4'	48"	36" - 50"	43 3/4"	34 1/8"
5'	60"	48" - 62"	55 3/4"	46 1/8"
6'	72"	60" - 74"	67 3/4"	58 1/8"
7'	84"	72" - 86"	79 3/4"	70 1/8"
8'	96"	84" - 98"	91 3/4"	82 1/8"



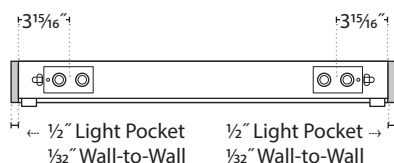
Bolt Locations Range for **CUTTABLE**
1/16" to 14 1/16" (2F-7F)
1/16" to 10 1/16" (1FR)



BOLT LOCATIONS

XSR / LOUVER
NON XSR / NON LOUVER

POWER FEED LOCATIONS:





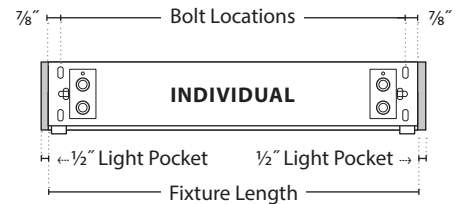
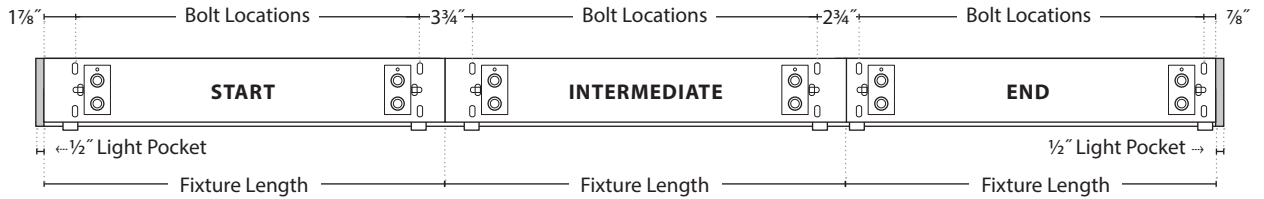
INSTALLATION INSTRUCTIONS

PRULITE.COM 213.746.0360

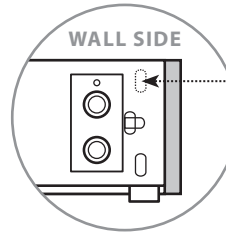
X1, X1M, X1T, X2, X6 (T-BAR)

BPRO3/4/5

LIGHT POCKET (LP):

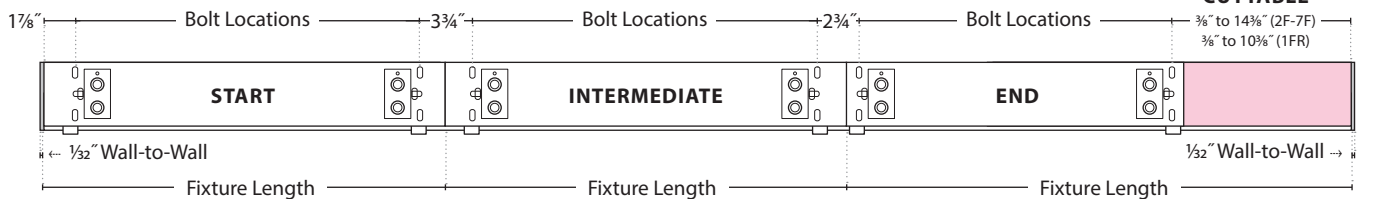


	FIXTURE LENGTHS		BOLT LOCATIONS
	Start / Intermediate	End / Individual	
2'	24"	22"	20 1/4"
3'	36"	34"	32 1/4"
4'	48"	46"	44 1/4"
5'	60"	58"	56 1/4"
6'	72"	70"	68 1/4"
7'	84"	82"	80 1/4"
8'	96"	94"	92 1/4"



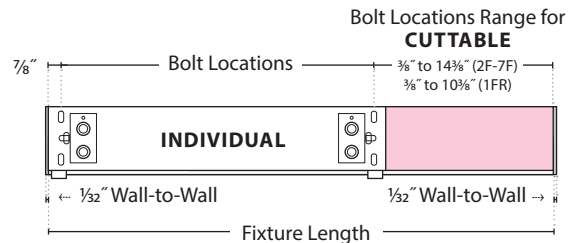
ALL BOLT LOCATIONS

WALL-TO-WALL (WTW):



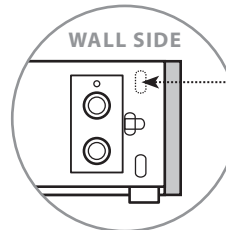
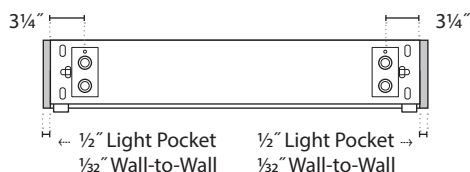
Bolt Locations Range for **CUTTABLE**

FIXTURE LENGTH	BOLT LOCATIONS		FIXTURE LENGTH	BOLT LOCATIONS	
	Start / Intermediate	Filler		Filler	Filler
—	—	—	1FR	16" - 26"	14 3/4"
2'	24"	20 1/4"	2F	24" - 38"	22 3/4"
3'	36"	32 1/4"	3F	36" - 50"	34 3/4"
4'	48"	44 1/4"	4F	48" - 62"	46 3/4"
5'	60"	56 1/4"	5F	60" - 74"	58 3/4"
6'	72"	68 1/4"	6F	72" - 86"	70 3/4"
7'	84"	80 1/4"	7F	84" - 98"	82 3/4"
8'	96"	92 1/4"	—	—	—



Bolt Locations Range for **CUTTABLE**

POWER FEED LOCATIONS:



ALL BOLT LOCATIONS





INSTALLATION INSTRUCTIONS

X1, X1M, X1T, X2, X6 (T-BAR)

ROW BUILDER

LIGHT POCKET (LP):

ROW LENGTH	FIXTURE ROW
9'	4FT STR + 5FT END
10'	4FT STR + 6FT END
11'	4FT STR + 7FT END
12'	8FT STR + 4FT END
13'	8FT STR + 5FT END
14'	8FT STR + 6FT END
15'	8FT STR + 7FT END
16'	8FT STR + 8FT END
17'	4FT STR + (1) 8FT INT + 5FT END
18'	4FT STR + (1) 8FT INT + 6FT END
19'	4FT STR + (1) 8FT INT + 7FT END
20'	8FT STR + (1) 8FT INT + 4FT END
21'	8FT STR + (1) 8FT INT + 5FT END
22'	8FT STR + (1) 8FT INT + 6FT END
23'	8FT STR + (1) 8FT INT + 7FT END
24'	8FT STR + (1) 8FT INT + 8FT END
25'	4FT STR + (2) 8FT INT + 5FT END
26'	4FT STR + (2) 8FT INT + 6FT END
27'	4FT STR + (2) 8FT INT + 7FT END
28'	8FT STR + (2) 8FT INT + 4FT END
29'	8FT STR + (2) 8FT INT + 5FT END
30'	8FT STR + (2) 8FT INT + 6FT END
31'	8FT STR + (2) 8FT INT + 7FT END
32'	8FT STR + (2) 8FT INT + 8FT END
33'	4FT STR + (3) 8FT INT + 5FT END
34'	4FT STR + (3) 8FT INT + 6FT END
35'	4FT STR + (3) 8FT INT + 7FT END
36'	8FT STR + (3) 8FT INT + 4FT END
37'	8FT STR + (3) 8FT INT + 5FT END
38'	8FT STR + (3) 8FT INT + 6FT END
39'	8FT STR + (3) 8FT INT + 7FT END
40'	8FT STR + (3) 8FT INT + 8FT END
41'	4FT STR + (4) 8FT INT + 5FT END
42'	4FT STR + (4) 8FT INT + 6FT END
43'	4FT STR + (4) 8FT INT + 7FT END
44'	8FT STR + (4) 8FT INT + 4FT END
45'	8FT STR + (4) 8FT INT + 5FT END
46'	8FT STR + (4) 8FT INT + 6FT END
47'	8FT STR + (4) 8FT INT + 7FT END
48'	8FT STR + (4) 8FT INT + 8FT END
49'	4FT STR + (5) 8FT INT + 5FT END
50'	4FT STR + (5) 8FT INT + 6FT END

WALL-TO-WALL (WTW):

ROW LENGTH	FIXTURE ROW	MINIMUM FILLER LENGTH	MAXIMUM FILLER LENGTH
9'	4FT STR + 4FT FILLER	8' - 0" (96")	9' - 2" (110")
10'	4FT STR + 5FT FILLER	9' - 0" (108")	10' - 2" (122")
11'	4FT STR + 6FT FILLER	10' - 0" (120")	11' - 2" (134")
12'	4FT STR + 7FT FILLER	11' - 0" (132")	12' - 2" (146")
13'	8FT STR + 4FT FILLER	12' - 0" (144")	13' - 2" (158")
14'	8FT STR + 5FT FILLER	13' - 0" (156")	14' - 2" (170")
15'	8FT STR + 6FT FILLER	14' - 0" (168")	15' - 2" (182")
16'	8FT STR + 7FT FILLER	15' - 0" (180")	16' - 2" (194")
17'	4FT STR + (1) 8FT INT + 4FT FILLER	16' - 0" (192")	17' - 2" (206")
18'	4FT STR + (1) 8FT INT + 5FT FILLER	17' - 0" (204")	18' - 2" (218")
19'	4FT STR + (1) 8FT INT + 6FT FILLER	18' - 0" (216")	19' - 2" (230")
20'	4FT STR + (1) 8FT INT + 7FT FILLER	19' - 0" (228")	20' - 2" (242")
21'	8FT STR + (1) 8FT INT + 4FT FILLER	20' - 0" (240")	21' - 2" (254")
22'	8FT STR + (1) 8FT INT + 5FT FILLER	21' - 0" (252")	22' - 2" (266")
23'	8FT STR + (1) 8FT INT + 6FT FILLER	22' - 0" (264")	23' - 2" (278")
24'	8FT STR + (1) 8FT INT + 7FT FILLER	23' - 0" (276")	24' - 2" (290")
25'	4FT STR + (2) 8FT INT + 4FT FILLER	24' - 0" (288")	25' - 2" (302")
26'	4FT STR + (2) 8FT INT + 5FT FILLER	25' - 0" (300")	26' - 2" (314")
27'	4FT STR + (2) 8FT INT + 6FT FILLER	26' - 0" (312")	27' - 2" (326")
28'	4FT STR + (2) 8FT INT + 7FT FILLER	27' - 0" (324")	28' - 2" (338")
29'	8FT STR + (2) 8FT INT + 4FT FILLER	28' - 0" (336")	29' - 2" (350")
30'	8FT STR + (2) 8FT INT + 5FT FILLER	29' - 0" (348")	30' - 2" (362")
31'	8FT STR + (2) 8FT INT + 6FT FILLER	30' - 0" (360")	31' - 2" (374")
32'	8FT STR + (2) 8FT INT + 7FT FILLER	31' - 0" (372")	32' - 2" (386")
33'	4FT STR + (3) 8FT INT + 4FT FILLER	32' - 0" (384")	33' - 2" (398")
34'	4FT STR + (3) 8FT INT + 5FT FILLER	33' - 0" (396")	34' - 2" (410")
35'	4FT STR + (3) 8FT INT + 6FT FILLER	34' - 0" (408")	35' - 2" (422")
36'	4FT STR + (3) 8FT INT + 7FT FILLER	35' - 0" (420")	36' - 2" (434")
37'	8FT STR + (3) 8FT INT + 4FT FILLER	36' - 0" (432")	37' - 2" (446")
38'	8FT STR + (3) 8FT INT + 5FT FILLER	37' - 0" (444")	38' - 2" (458")
39'	8FT STR + (3) 8FT INT + 6FT FILLER	38' - 0" (456")	39' - 2" (470")
40'	8FT STR + (3) 8FT INT + 7FT FILLER	39' - 0" (468")	40' - 2" (482")
41'	4FT STR + (4) 8FT INT + 4FT FILLER	40' - 0" (480")	41' - 2" (494")
42'	4FT STR + (4) 8FT INT + 5FT FILLER	41' - 0" (492")	42' - 2" (506")
43'	4FT STR + (4) 8FT INT + 6FT FILLER	42' - 0" (504")	43' - 2" (518")
44'	4FT STR + (4) 8FT INT + 7FT FILLER	43' - 0" (516")	44' - 2" (530")
45'	8FT STR + (4) 8FT INT + 4FT FILLER	44' - 0" (528")	45' - 2" (542")
46'	8FT STR + (4) 8FT INT + 5FT FILLER	45' - 0" (540")	46' - 2" (554")
47'	8FT STR + (4) 8FT INT + 6FT FILLER	46' - 0" (552")	47' - 2" (566")
48'	8FT STR + (4) 8FT INT + 7FT FILLER	47' - 0" (564")	48' - 2" (578")
49'	4FT STR + (5) 8FT INT + 4FT FILLER	48' - 0" (576")	49' - 2" (590")
50'	4FT STR + (5) 8FT INT + 5FT FILLER	49' - 0" (588")	50' - 2" (602")

WARNING: Ground fixture in accordance with local and national electrical codes. Failure to do so may result in serious personal injury.





INSTALLATION INSTRUCTIONS

X1, X1M, X1T, X2, X6 (T-BAR)

1) Measure & mark bottom of t-bar tile to bottom of wall rail.
Install for full fixture length.

X =
 FLSH = 5³/₄"
 REG.5 / LVR FLSH = 6¹/₄"
 REG1 / LVR1 (1/2" Regress) = 6³/₄"
 REG3 / LVR3 = 8³/₄"

NOTE: Refer to page 4 for cross section details.

X1/X1M

2a)

Field trim the last rail.
If Wall-to-Wall, leave 5/8" gap between rail and wall for 1/4-20 bolts to be inserted.

2b) Drill Mounting holes on wall rail and secure to structure using appropriate screws (by others).

3) Insert 1/4-20 bolts into wall rail (2x per fixture).

4) Remove screws and reflectors from all fixtures. and disconnect wires for LEDs.

Reflector
#6 Reflector Screw

5) If XSR, install **CORRECT** rubber bumpers (2x per fixture wall side)

Bumper
Phil Round Head Screw

UNTHREADED BUMPERS
 3/16" for NON-LOUVER Fixtures
 3/8" for LOUVER Fixtures

WARNING: Ground fixture in accordance with local and national electrical codes. Failure to do so may result in serious personal injury.



INSTALLATION INSTRUCTIONS

X1, X1M, X1T, X2, X6 (T-BAR)

6) Install Grid Brackets on **ROOM SIDE** of fixture.

7) Punch out correct mounting knockouts on wall side (for 1/4-20 bolts).

SEE BOLT LOCATIONS FOR DETAILS (PAGES 5-6)

T-Bar Mounting K.O's

8a) Lift first fixture in row over grid and set on grid as shown, swinging 1/4-bolts out of the way.

8b) Insert 1/4-20 bolts in knockout holes.

8c) Attach washer and 1/4-20 lock nuts to bolts on inside of fixture and **TIGHTEN UNTIL LEVEL.**

9) Attach tie wire to Grid Brackets and structure.

10) Wire power to access plate. If provided, snap Insulation Detector (ID) into place.

WIRING:

0-10V (+) : PURPLE	0-10V (-) : GREY
DALI (+) : PURPLE	DALI (-) : GREY
EcoSystem DALI (+) : PURPLE	EcoSystem DALI (-) : GREY
HOT : BLACK	
NEUTRAL : WHITE	
GROUND : GREEN	
CONSTANT HOT (EM) : RED	

11) Install regress trim aligners.

WARNING: Ground fixture in accordance with local and national electrical codes. Failure to do so may result in serious personal injury.



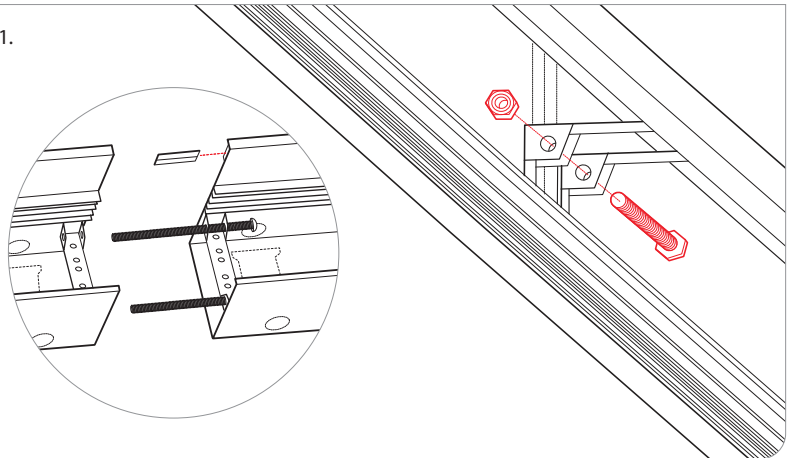
INSTALLATION INSTRUCTIONS

X1, X1M, X1T, X2, X6 (T-BAR)

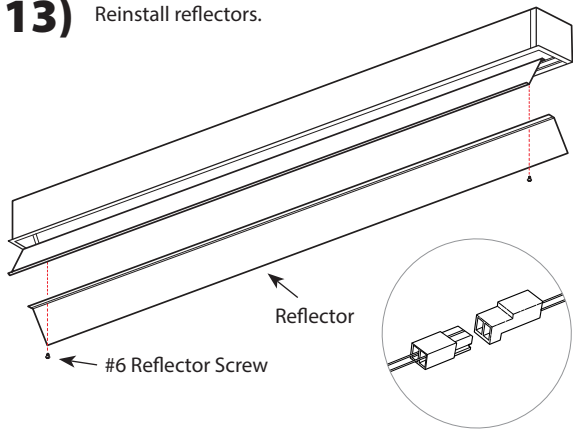
12) For rows, install next fixture in row by first repeating steps 4-11. Join fixture to previous fixture using 1/4-20 phillips head bolts and 1/4-20 KEPS nuts. If last fixture is filler, see filler instructions (pages 12-13).



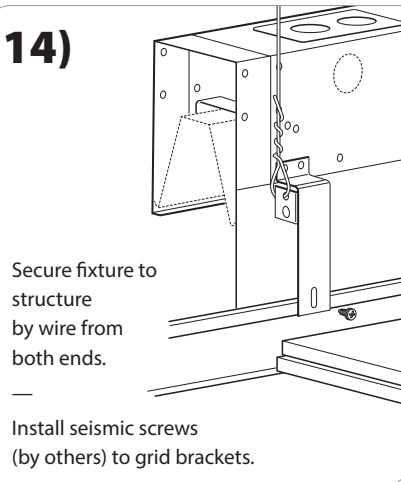
Install Bolt & Nut to both sides until snug



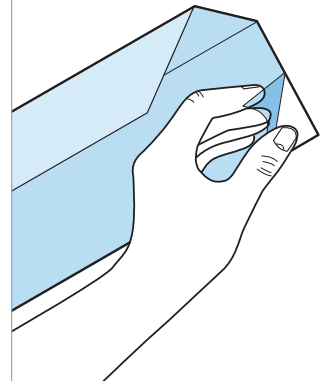
13) Reinstall reflectors.



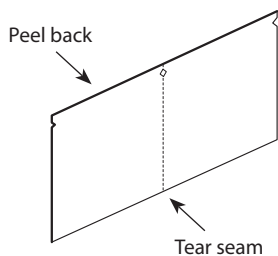
14)



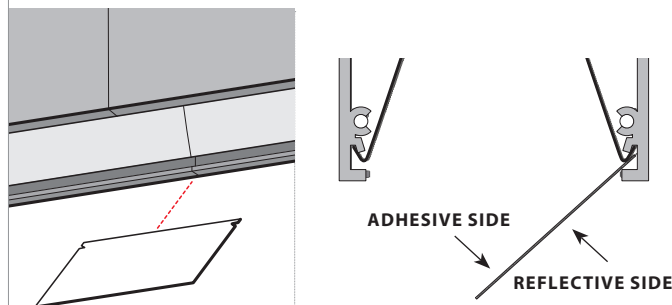
15) Peel blue protective covering off reflectors.



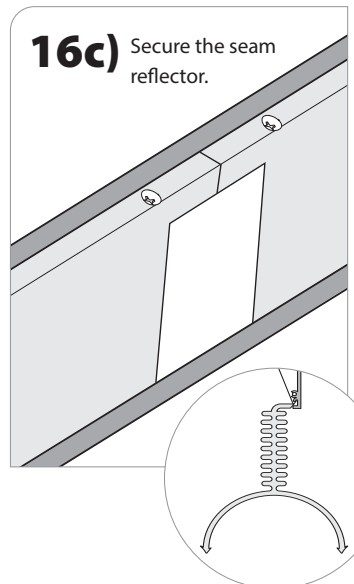
16a) Tear seam reflector at perforation. Peel film to reveal adhesive.



16b) Insert seam reflector under brake.



16c) Secure the seam reflector.



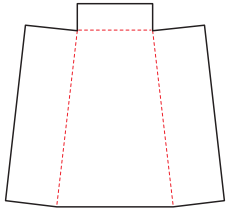
WARNING: Ground fixture in accordance with local and national electrical codes. Failure to do so may result in serious personal injury.



INSTALLATION INSTRUCTIONS

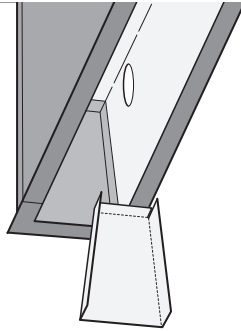
X1, X1M, X1T, X2, X6 (T-BAR)

17) OPTIONAL

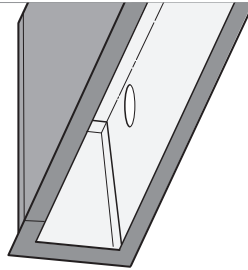


FOLD END REFLECTORS AT PERFORATIONS

Only for non-white painted fixtures.



Align folded reflector with end cap interior.

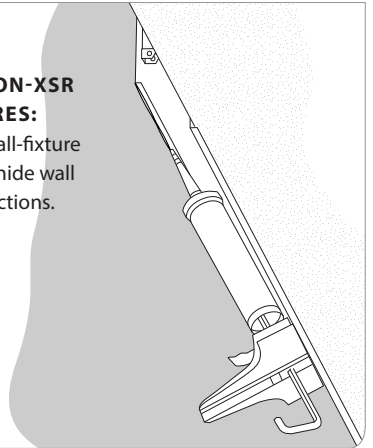


Install end reflector so it covers the seam between the end cap and reflector.

18)

FOR NON-XSR FIXTURES:

Caulk wall-fixture joint to hide wall imperfections.



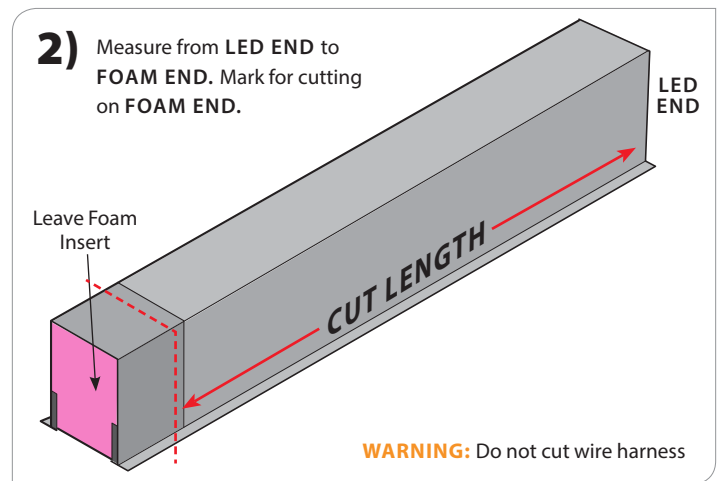
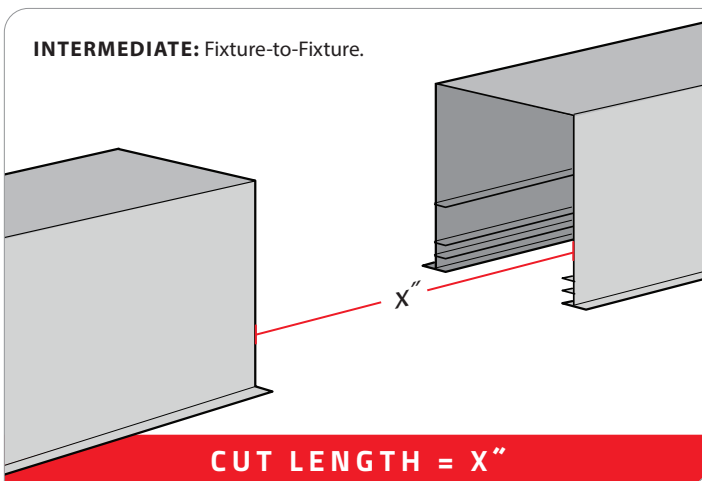
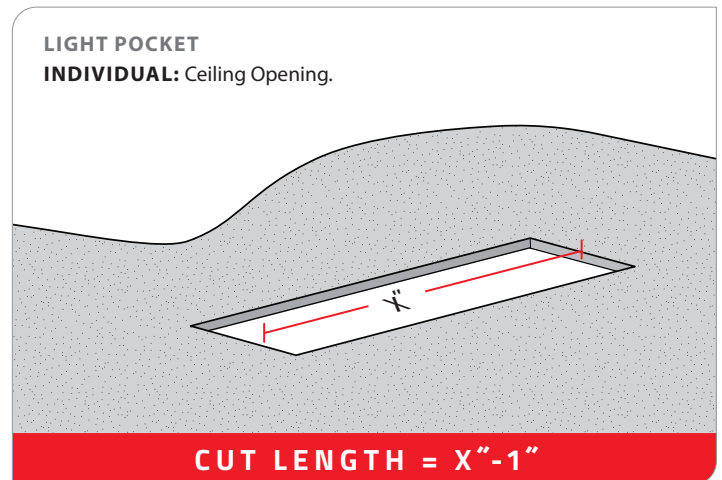
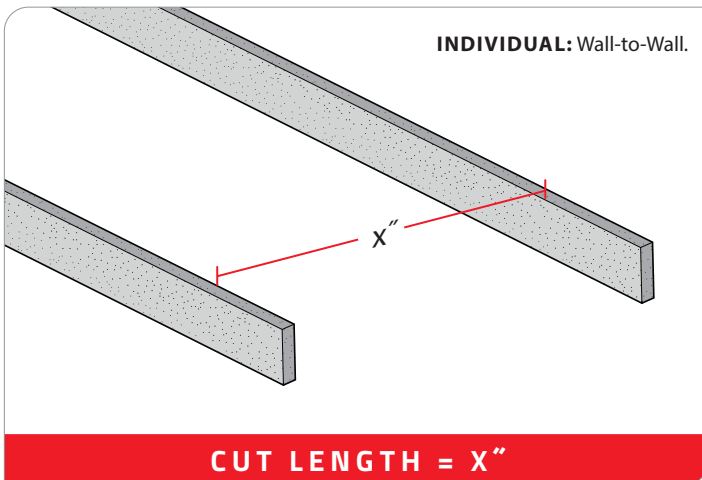
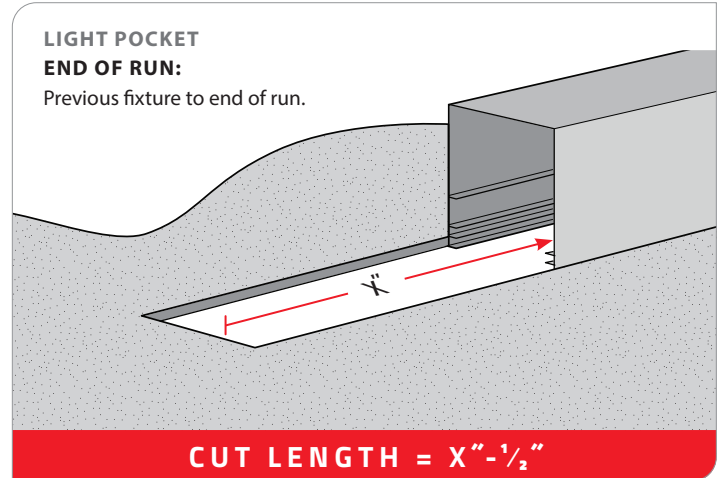
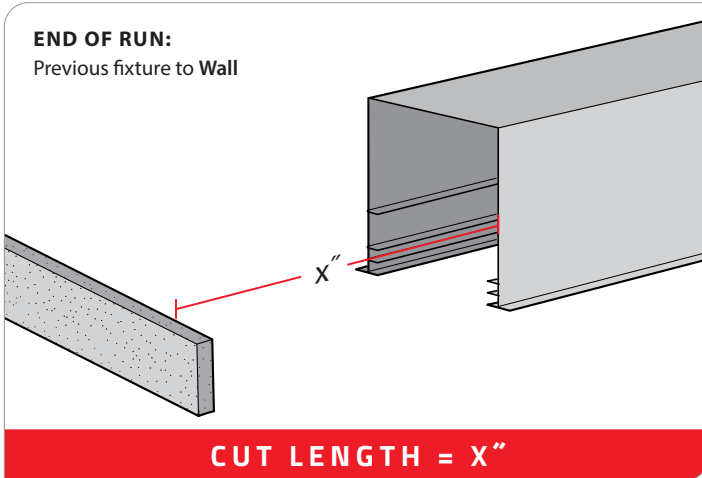
WARNING: Ground fixture in accordance with local and national electrical codes. Failure to do so may result in serious personal injury.





INSTALLATION INSTRUCTIONS

1) Determine cut length of filler fixture.



WARNING: Ground fixture in accordance with local and national electrical codes. Failure to do so may result in serious personal injury.

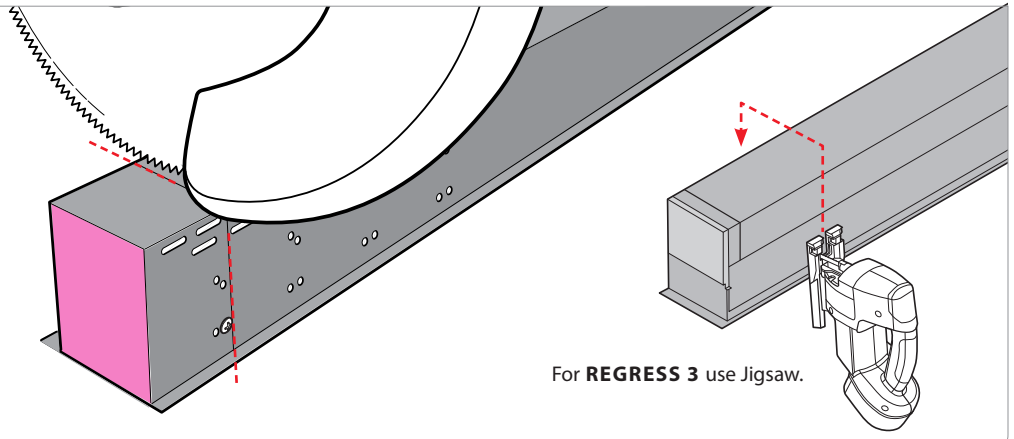
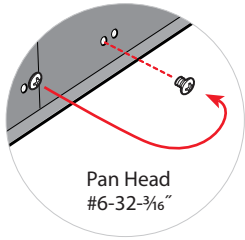


INSTALLATION INSTRUCTIONS

PRULITE.COM 213.746.0360

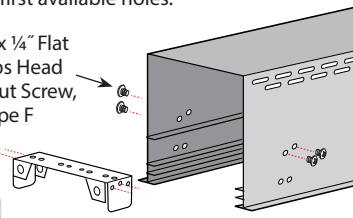
3) Cut foam insert side of fixture with chop saw (move screws if needed).

IF SCREW IS IN THE WAY, MOVE TO NEXT LOWEST COMPLETE HOLE PAIR



4) Remove foam insert, install stiffener at first available holes.

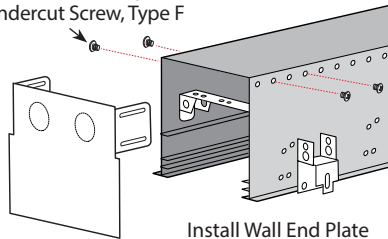
#6-32 x 1/4" Flat Phillips Head Undercut Screw, Type F



USE MIDDLE "ANGLED" HOLES

5a) END OF RUN: Previous fixture to wall

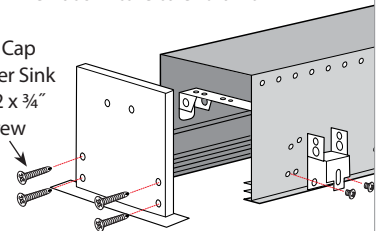
#6-32 x 1/4" Flat Phillips Head Undercut Screw, Type F



Install Wall End Plate

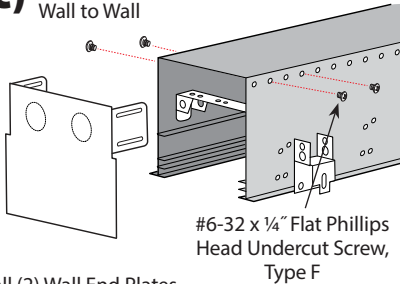
5b) END OF RUN: Previous fixture to end of run

End Cap Counter Sink #6-32 x 3/4" Screw



Install Light Pocket Diecast End

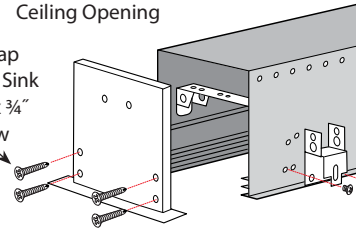
5c) INDIVIDUAL: Wall to Wall



Install (2) Wall End Plates

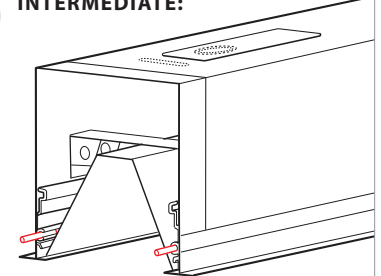
5d) INDIVIDUAL: Ceiling Opening

End Cap Counter Sink #6-32 x 3/4" Screw



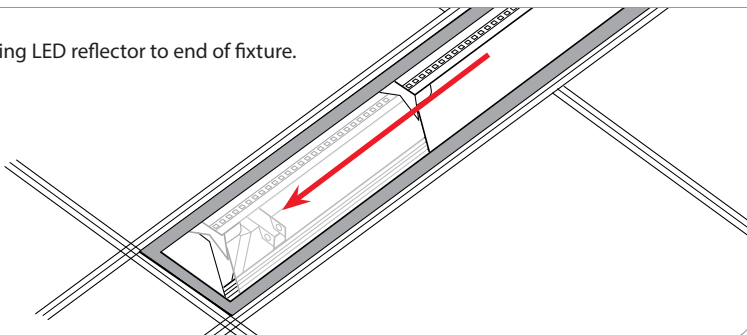
Install (2) Light Pocket End Caps

5e) INTERMEDIATE:



Install Taper Pins

6) Pull telescoping LED reflector to end of fixture.

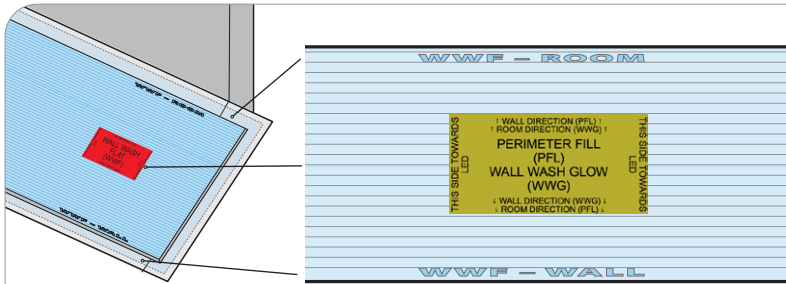


7) Return to step 13, page 10.

WARNING: Ground fixture in accordance with local and national electrical codes. Failure to do so may result in serious personal injury.



⚠ ENERGIZE ROWS TO ENSURE ALL LEDS ARE WORKING BEFORE INSTALL **👤 LENS REQUIRES TWO PEOPLE TO INSTALL**



LENS ORIENTATION

SAL – Satin lens has both sides the same, reversible, no orientation
BTW – Batwing shiny side UP, matte frosted side DOWN.

MGZ/WWF/WWG/PFL – Wall Wash and Perimeter lenses, ribbed side UP (they can be seen and felt).

NOTE: WWG and PFL are the same with opposite orientation

Stickers indicate **WALL** and **ROOM** sides, but the lens also has engraving indicating each as shown.

RECOMMENDED: Start lens installation from **LEFT** to **RIGHT**.



LENS INSTALLATION — IF ALL FIXTURES ARE ALREADY INSTALLED

1) Measure 18" from end cap. Using a pencil, place a small mark on the fixture.

2) Make sure lens is square.

3) Install tape strip **TIGHTLY** approximately 16" from start.

4) Insert lens into lens tool, then place just before **TIGHT** tape strip.

FOR BPRO2-REG3
 Install clamp before inserting into fixture. Once installed in fixture, remove clamp and proceed to step 5.

WARNING: Ground fixture in accordance with local and national electrical codes. Failure to do so may result in serious personal injury.



INSTALLATION INSTRUCTIONS

5) Install **LOOSE** tape strip about 12" from start to hold lens parallel to fixture (easier to pull).

6) Pull lens through channel with fingers or non-marring pliers.

NOTE: Hold lens roll near ceiling, close to horizontal with fixture.

7) Use tape strip to pull lens into end cap.

END OF ROW

8) Make sure lens is tucked inside end cap.

END OF ROW

9) At start of fixture, remove tape strips and as a rough cut trim lens 1" past end cap.

! MAKE SURE LENS IS TUCKED INTO END CAP AT END OF ROW AS SHOWN IN STEP 8

10) Mark lens with pencil where you made the mark 18" from start of row inside fixture.

! MAKE SURE LENS IS TUCKED INTO END CAP AT END OF ROW AS SHOWN IN STEP 8

11) Measure 18 1/16" from mark on lens to near end of lens. Mark and trim lens.

12) Slide lens tool end cap to insert remaining lens, using other end of tool or fingers to insert at end cap.

WARNING: Ground fixture in accordance with local and national electrical codes. Failure to do so may result in serious personal injury.



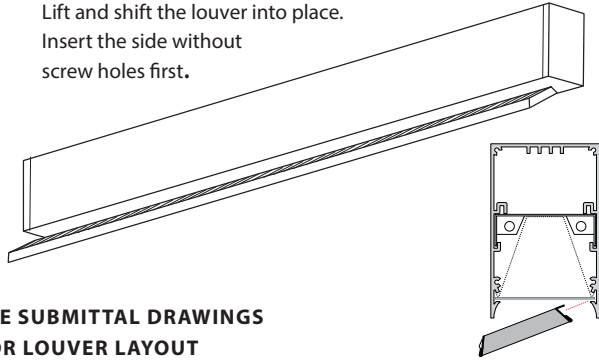
INSTALLATION INSTRUCTIONS

X1, X1M, X1T, X2, X6 (T-BAR)

LOUVERS

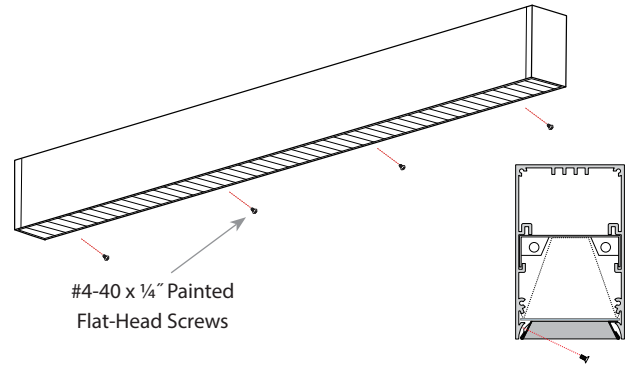
1) INSTALL LENS FIRST (SEE PAGE 14).

Match the louver holes with the body holes. Lift and shift the louver into place. Insert the side without screw holes first.



SEE SUBMITTAL DRAWINGS FOR LOUVER LAYOUT

2) Hold louver in place and install with included screws.



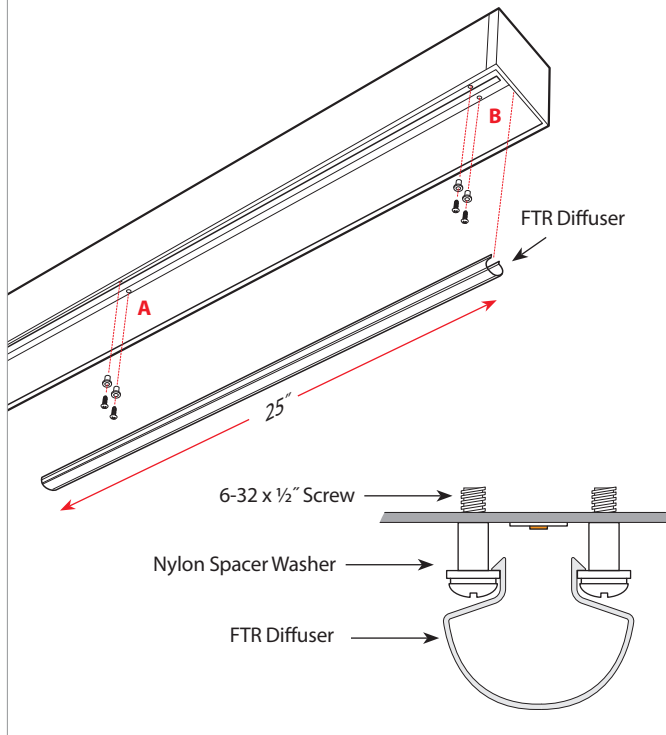
#4-40 x 1/4" Painted Flat-Head Screws

FTR (FEATHERING DIFFUSER) DETAIL

STANDARD FIXTURES

Before installing lens, replace the 1/4" screws at locations **A** and **B** with 1/2" screws, placing the provided spacer under the screws as shown.

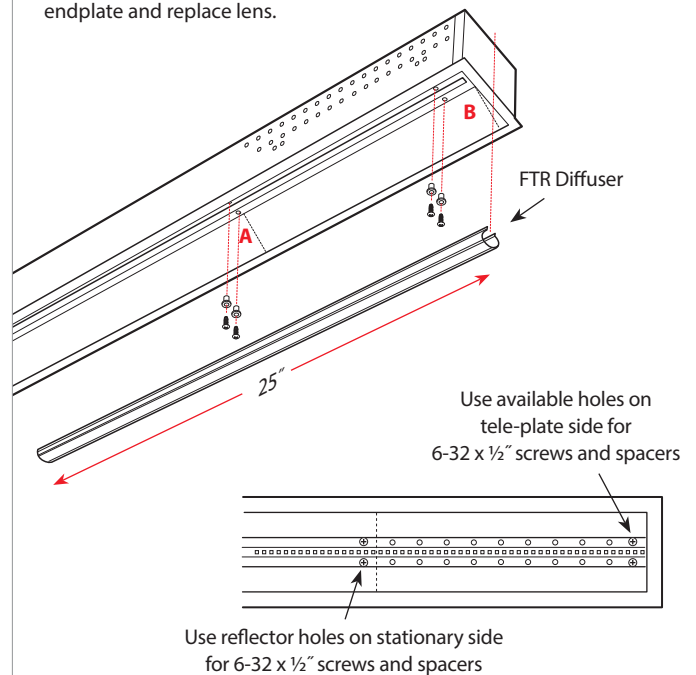
With screws and spacers installed, snap the FTR Diffuser over the LEDs at locations **A** and **B**, making sure that the hooks in the diffuser catch on the lip of the spacers. Push the FTR diffuser against the fixture endplate and install lens.



FILLER FIXTURES

After cutting the filler body to the desired length, at location **A**, replace the 1/4" screws with 1/2" screws, placing the provided spacer under the screws as shown. At location **B**, use available holes in tele-plate to attach screws and spacers.

With screws and spacers installed, snap the FTR Diffuser over the LEDs at locations **A** and **B**, making sure that the hooks in the diffuser catch on the lip of the spacers. Push the FTR diffuser against the fixture endplate and replace lens.



WARNING: Ground fixture in accordance with local and national electrical codes. Failure to do so may result in serious personal injury.

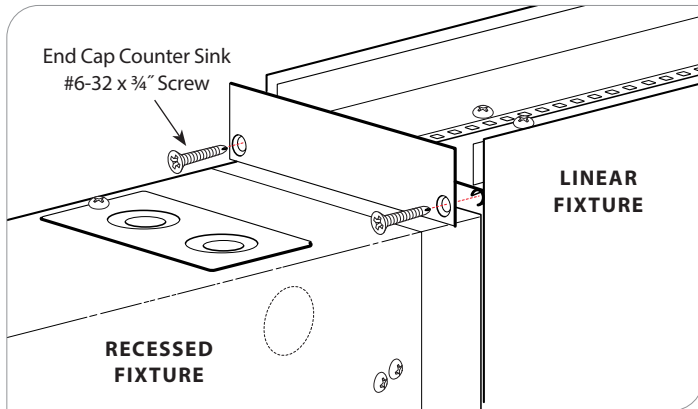




INSTALLATION INSTRUCTIONS

X1, X1M, X1T, X2, X6 (T-BAR)

LRT (LINEAR TO RECESSED) DETAIL



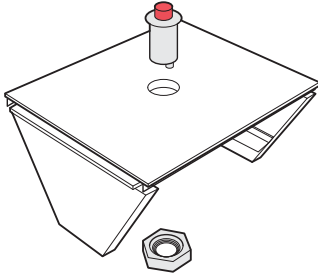
WARNING: Ground fixture in accordance with local and national electrical codes. Failure to do so may result in serious personal injury.



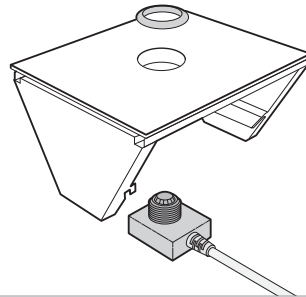


INSTALLATION INSTRUCTIONS

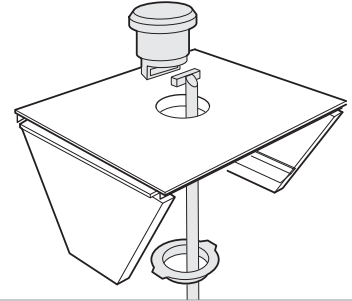
Emergency Light/Test Switch



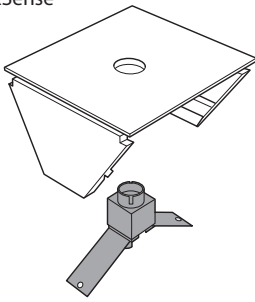
Wattstopper FS-205



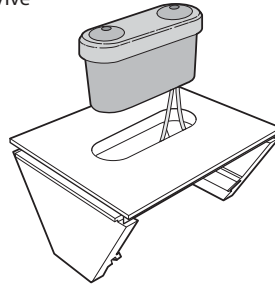
Enlighted



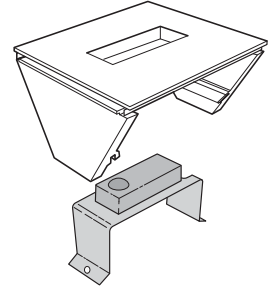
Phillips LuxSense



Lutron Vive



Hubbell NXSMP-SMI



SENSORS NA REG3. TILE MOUNT (BY OTHERS).

WARNING: Ground fixture in accordance with local and national electrical codes. Failure to do so may result in serious personal injury.

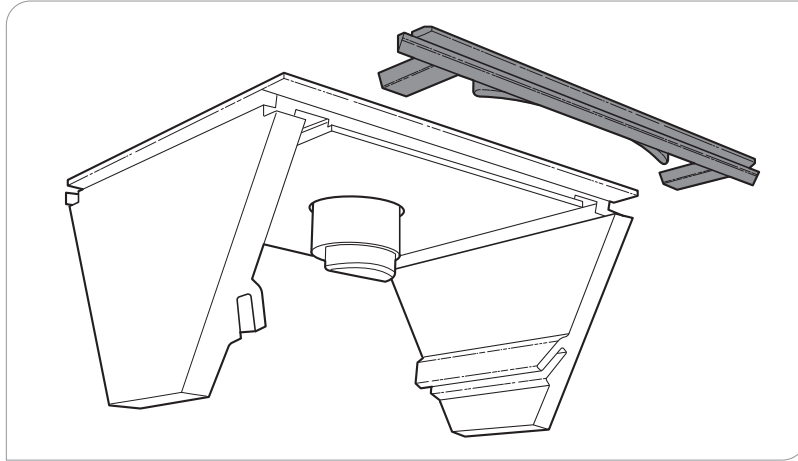




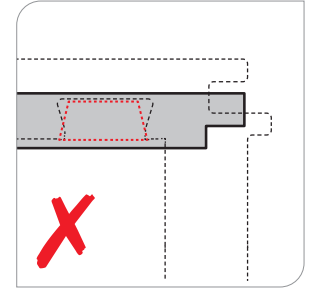
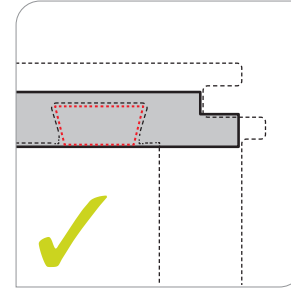
INSTALLATION INSTRUCTIONS

ACCESSORY PLATE ASSEMBLY

Insert slider spring tabs into dovetail slots in the bottom of plate

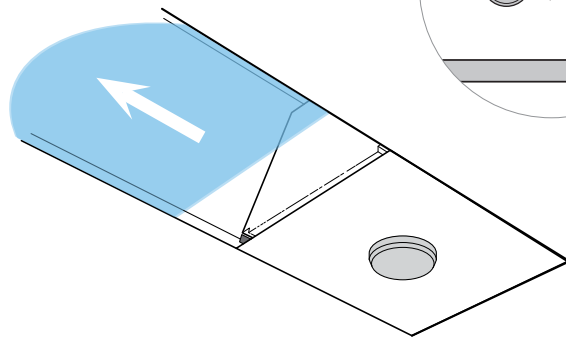
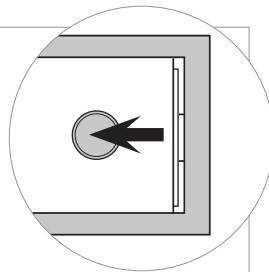


Spring tabs must be oriented to match dovetails in plate

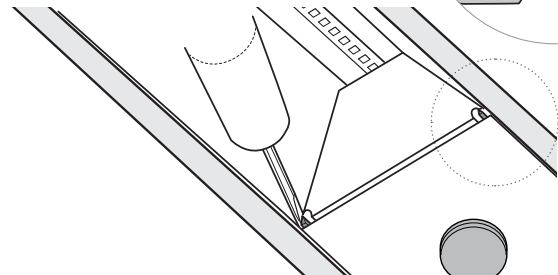
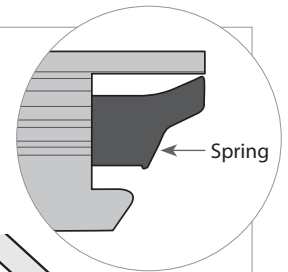


ACCESSORY PLATE REMOVAL

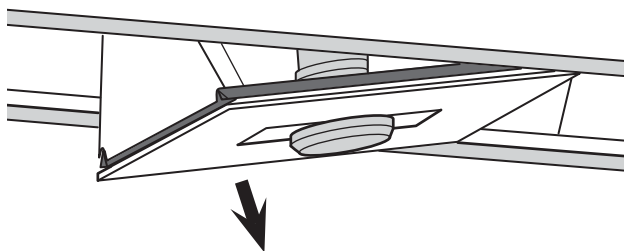
- 1) Slide lens several inches away from accessory plate and shift plate away from end of fixture.



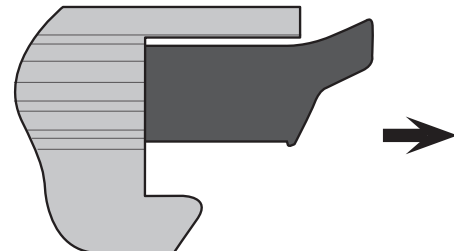
- 2) Using a small flat screwdriver, retract plastic spring back to clear edge of trim while gently pulling accessory plate away from aperture. Repeat this on the opposite side.



- 3) With the plastic spring retracted, pull the plate downward until it releases from the fixture.



- 4) When re-installing the plate back into the fixture, use small screwdriver to push springs under trim until caught. Secure to fixture by snapping plate into housing.



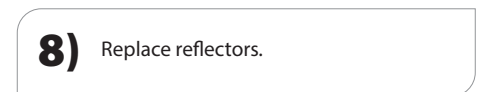
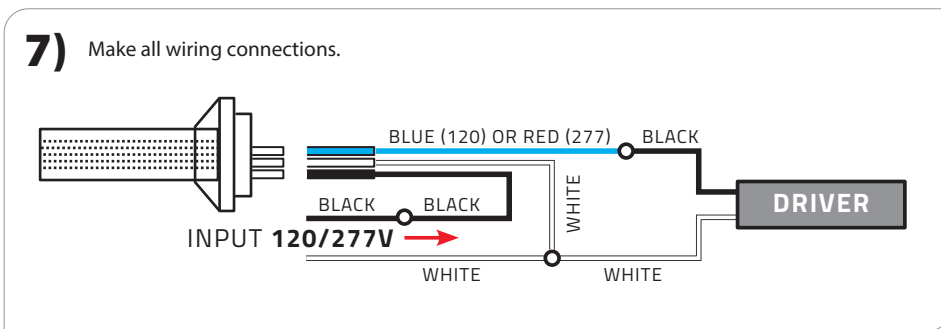
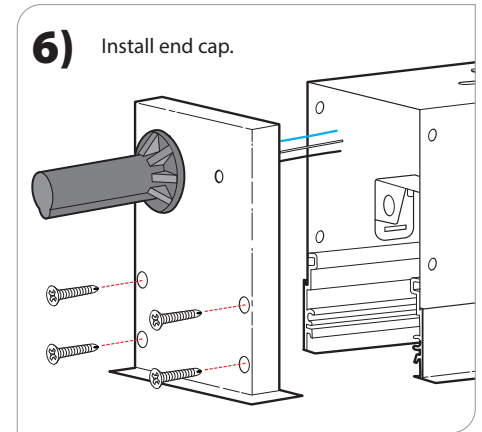
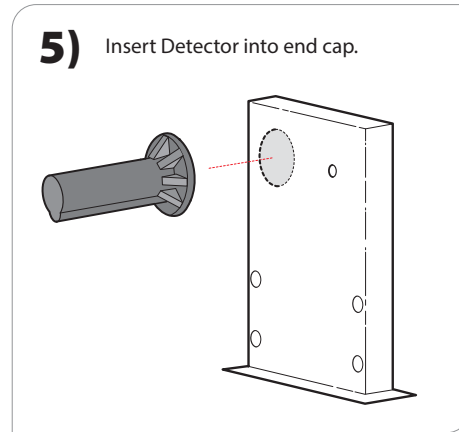
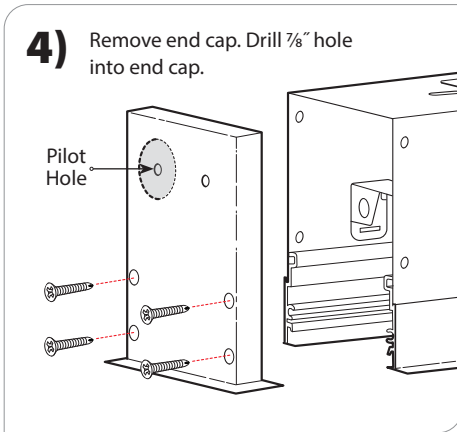
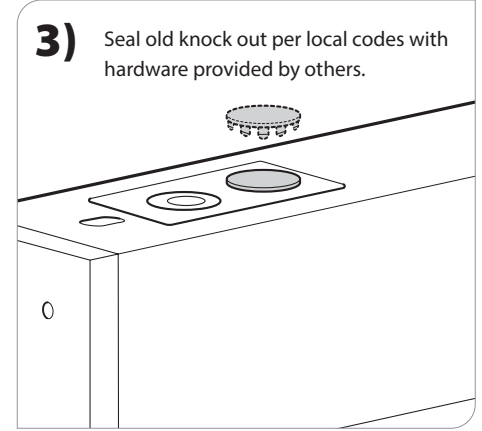
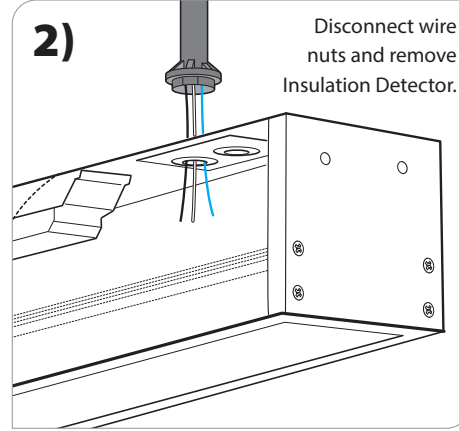
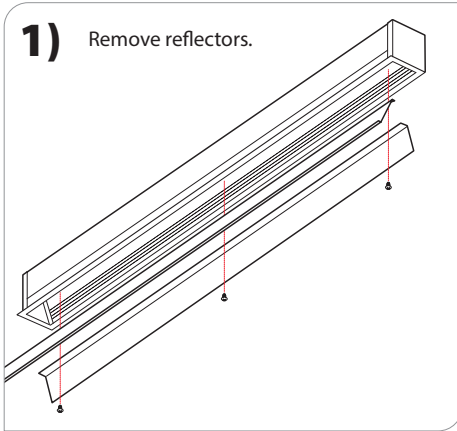
WARNING: Ground fixture in accordance with local and national electrical codes. Failure to do so may result in serious personal injury.



INSTALLATION INSTRUCTIONS

PRULITE.COM 213.746.0360

OPTIONAL: RELOCATE INSULATION DETECTOR FOR END CAP MOUNT



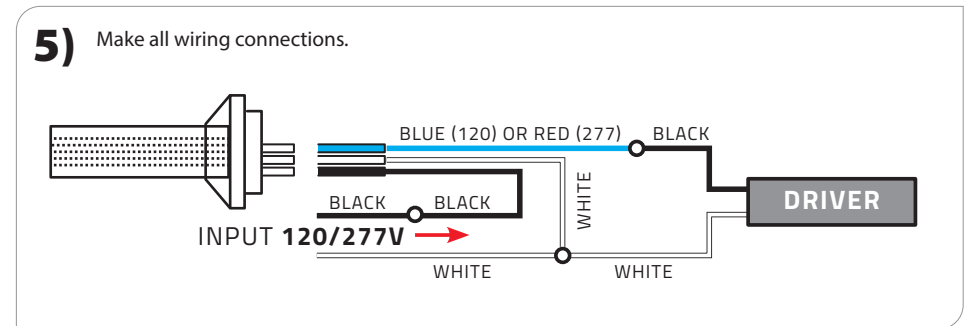
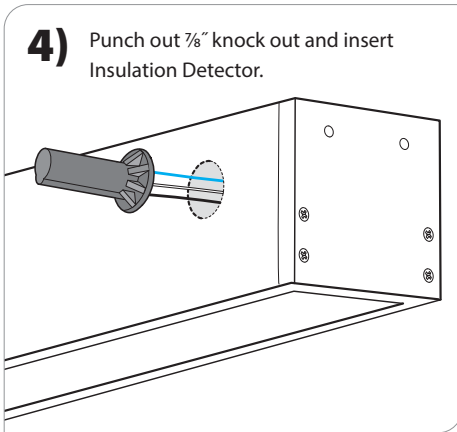
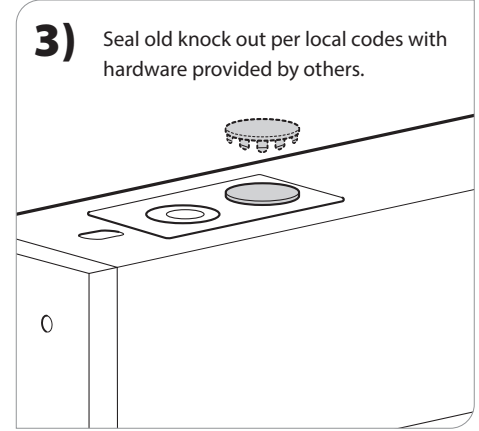
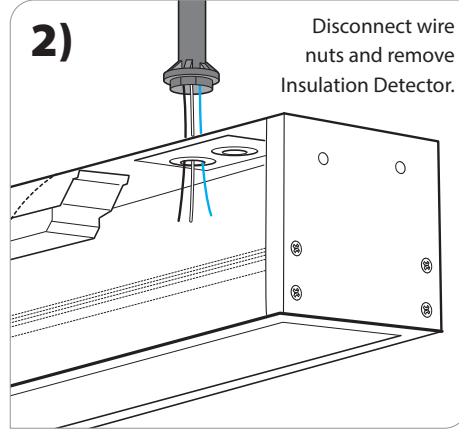
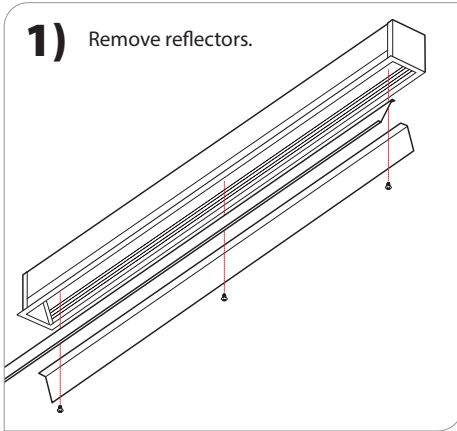
WARNING: Ground fixture in accordance with local and national electrical codes. Failure to do so may result in serious personal injury.



INSTALLATION INSTRUCTIONS

PRULITE.COM 213.746.0360

OPTIONAL: RELOCATE INSULATION DETECTOR FOR SIDE MOUNT



WARNING: Ground fixture in accordance with local and national electrical codes. Failure to do so may result in serious personal injury.