



Bolt | Linear, Surface & Wall



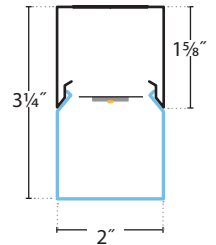
PRUDENTIAL LTG.

PRULITE.COM 213.746.0360



Type:

Job:



Snap's sleeker, more sophisticated sibling.

Linear, yes. But Bolt is so much more. Basic but not boring, it's an infinitely flexible, sleek architectural wrap – available in any row length (1/16" increments) and a multitude of fully illuminated corners – offering a linear option that's more adaptable than ever.

BOLT-LED35-MO

2565 Delivered Lumens

23 Watts

114 lm/w

UPTO **114** LM/W

	LO	MO	SO	HO
lm/ft	470	640	760	890
w/ft	4.2	5.6	7	8.75

[CLICK HERE](#)



Lumen output may vary +/- 5%
3500K used for lm/ft estimates above
4000K +2% llf, 3000K -2%, 2700K -4%
-10% LLF for 90 CRI (4K, 3500K and 3K)

See LED Details PDF for more info

SERIES	LED COLOR	OUT-PUT	NOMINAL LENGTH	SHIELD-ING	COLOR/FINISH	VOLTAGE	MOUNT-ING	CEILING SYSTEMS	DRIVERS	OPTIONS, SENSORS & CORNERS	
BOLT											
	LED27 2700K (90CRI)	LO Low	2' 3'	SAL Satin Acrylic Lens	TMW Textured Matte White	UNV (120-277)	SUR Surface or Wall Mount	X1 T-Bar 1 1/16" or 1/4" Exposed (Standard) Consult factory for 3/16" Tegular	ND Non- Dimming DM01 0-10v, 1% Dimming (Standard) DM10 0-10v, 10% Dimming	EML* Emergency Battery, Low (850 delivered lumens) EMH* Emergency Battery, High (1175 delivered lumens) *4' or longer (remote for < 4')	PRUBIN Meticulous Binning and Labeling every LED Board within a 2-Step MacAdams Ellipse
	LED3 3000K	MO Me- dium	4' 5'		YGW Gloss White (Standard)	347 (Emergency battery requires a Step Down trans- former)	CA48", 96" & 144" Aircraft Cable (Adjustable)	X3 Hard Ceiling X6 Slot Grid or Interlude	LDE5* 5%, Lutron (Ecosystem) LDE1* 1%, Lutron (Soft Fade to Black, Ecosystem)	SENSORS: 205** WattStopper PIR Occupancy 205-ND: On/off 205-DM: Dim to 10% / 1% 205-STEP: Dim to 50%	ENL** Enlighted 2-Wire DLH & Environmen- tal
	LED35 3500K	SO Stan- dard	6' 7'		Y Pre- mium Color				ECO 1% 0-10v, EldoLED	** Specify sensor box mounting location. See page 3.	
	LED4 4000K	HO High	8' R____ (Row length to 1/16")		CC Custom Color				ECDA 1% DALI, EldoLED		
	LED3-90 90CRI	PROG Pro- gram- ma- ble	SRL Symmetric Row Length (See page 5.)		NOTE: All canopies are painted the same color as the fixture. Consult factory to specify				SOLO 0.1% 0-10v, EldoLED (Dim to Dark)	CORNERS: C2 Lit 2-Way C3T Lit 3-Way 90°: T (45° to 135°)	C3T-X Lit 3-Way: T (45° to 135°)
	LED35-90 90CRI	Light Out- put (Specify desired lm/ft or w/ft)	Row lengths are typically made up of 8' and 4' fixtures, (eg. 12' row is (1) 8' and (1) 4'), unless SRL Symmetric Row Lengths are spec'd						SODA 0.1% DALI, EldoLED (Dim to Dark)	C3Y 120° Lit 3-Way: Y	C3Y-X Lit 3-Way: Y (45° to 135°)
	LED4-90 90CRI		NOTE: Individual fixtures are NOT intended for row mounting						* NA with HO	C4 Lit 4-Way 90° Cross	C4X Lit 4-Way (45° to 135°)
			For Patterns, Specifiers may write in 'Pattern' and include a drawing with corners and dimensions							C2X Lit 2-Way, (Any angle 45° to 179°, 1" increments)	



Prudential Ltg. reserves the right to change design specifications or materials without notice. Please visit prulite.com for most current data.
© 2014 All rights reserved – All products manufactured at: Prudential Ltg. 1774 E. 21st Street, Los Angeles, CA 90058

Linear

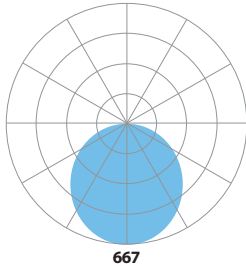
1

01-14-2018



PHOTOMETRICS

Medium Output:
BOLT-LED35-MO
 2565 Delivered Lumens
 23 Watts
 114 lm/w
 3500 CCT
 Test
 #03552805LAX-002



Zonal Lumen Summary:
 0-90 = 84%
 90-180 = 16%

Vertical Angle	0°	22.5°	45°	67.5°	90°
0°	667	667	667	667	667
5°	667	666	666	670	669
15°	634	640	646	654	654
25°	566	580	597	610	612
35°	475	499	530	556	564
45°	371	407	459	505	521
55°	267	315	388	452	475
65°	172	229	315	387	411
75°	87	149	237	305	325
85°	22	84	164	220	234
90°	0	64	137	185	196
95°	0	58	122	161	169
105°	0	41	96	125	130
115°	0	32	69	93	98
125°	0	25	53	69	73
135°	0	20	41	54	58
145°	0	15	30	41	44
155°	0	11	21	28	29
165°	0	0	12	16	0
170°	0	0	0	11	0

LUMEN MAINTENANCE

Designed to last with cool running mid-power LEDs projected to maintain 90% (L90) of their initial output for 100,000 hours (at HO), and L70 exceeding 150,000 hours.

LED SYSTEM LED modules and drivers are field replaceable.

PROG (OPTIONAL) Programmable light output. Specify desired lumens or watts per linear foot. Min: 2.5 w/ft, consult factory for requests above 12 w/ft.

BINNING Standard binning (all Prudential LED boards) includes testing at the chip level and board integration to provide consistent color temperature within a 3-step MacAdam ellipse, with +/- 5% lumen output range and +/- .004 Duv.

PRUBIN™ (OPTIONAL) Prudential Ltg's exclusive 'job binning' method that ensures color temperature consistency across all luminaires on a project. Meticulously testing and labeling **EVERY LED BOARD** to +/- 25 lumens, +/- 50k CCT and +/- .004 Duv — while also separating positive from negative — allows us to match color, hue and intensity throughout a project and provides a consistent color temperature within a 2-step MacAdam ellipse.

LABELS ETL damp labeled and I.B.E.W. manufactured

ELECTRICAL Must specify LED dimming controls. LED fixtures have constant current driver(s) with less than 20% THD when loaded to a minimum of 60%. Drivers sink a maximum of 6mA per driver. DM10 LED drivers are 0-10V dimmable and are compatible with most 0-10V wall slide dimmers and direct 0-10V analog signal dimmers. Max driver size 1.65" w x 1.25" h.

CONSTRUCTION

- Housing: Extruded aluminum, 25% PC recycled, 100% recyclable
- End Caps: Cast aluminum, >25% PC recycled, 100% recyclable
- Lens: Single-piece (up to 8' lengths) extruded acrylic, 100% recyclable
- Weight: 2 lbs/ft

MOUNTING Surface mounted to walls or ceilings or suspended by cable.

WARRANTY Single-source, 5 year limited warranty covers standard components and construction.





YSW – Seashell White (Matte)	YCH – Champagne (Metallic)
YSL – Silver (Metallic)	YPE – Pewter (Matte)
YRG – Rain Grey (Gloss)	YSTM – Storm Grey (Matte)
YBK – Black (Matte)	YBB – Black (Semi Gloss)
YSKM – Sky (Matte)	YMB – Military Blue (Matte)
YIB – Interstate Blue (Matte)	YSAM – Sapphire (Matte)
YFGM – Forest Green (Matte)	YBR – Bronze (Matte)
YBY – Boysenberry (Matte)	YSRM – Sunset Red (Matte)
YOR – Orange (Matte)	YDAM – Daffodil (Matte)



SENSOR BOX

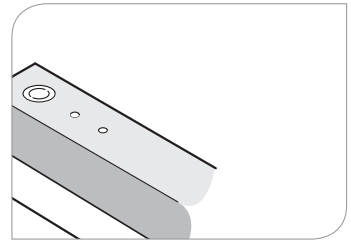


205
WattStopper PIR Occupancy



ENL
Enlighted 2-Wire PIR Daylight,
Motion & Environmental Sensor

ADJOINING DETAILS



Choose from one of our Premium Colors with no set-up fee.

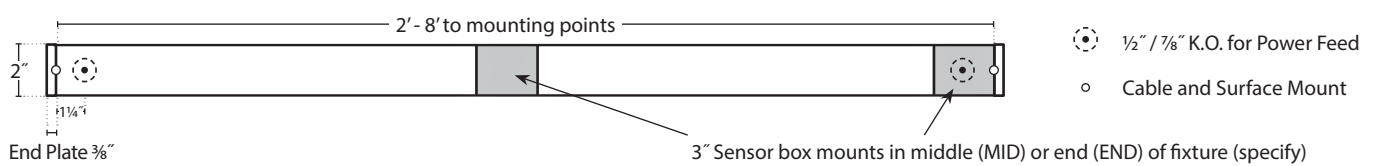
For paint chip samples, please email: info@prulite.com

NOTE: Sensor plate will match fixture color

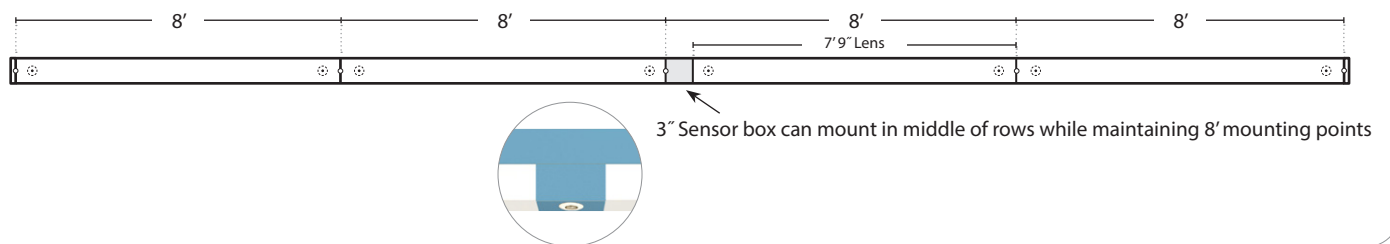
Consult factory for other sensors.

MOUNTING LOCATIONS

INDIVIDUAL FIXTURE:

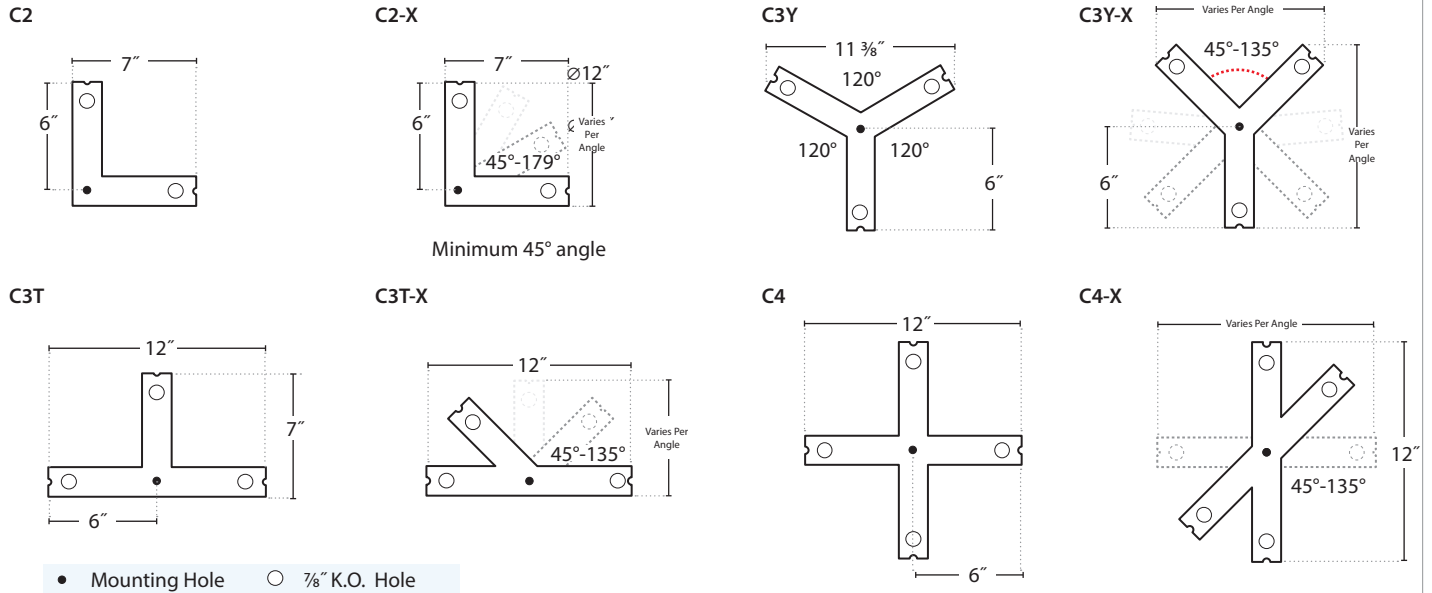


CABLE OR SURFACE MOUNTING WITH SENSOR BOX:





CORNERS

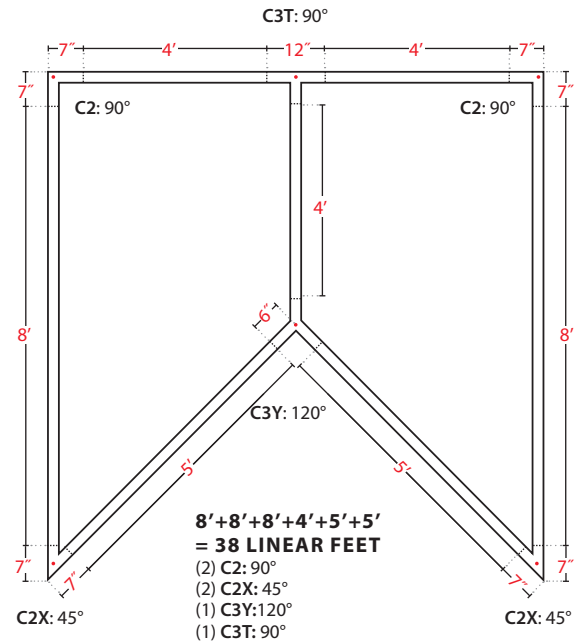
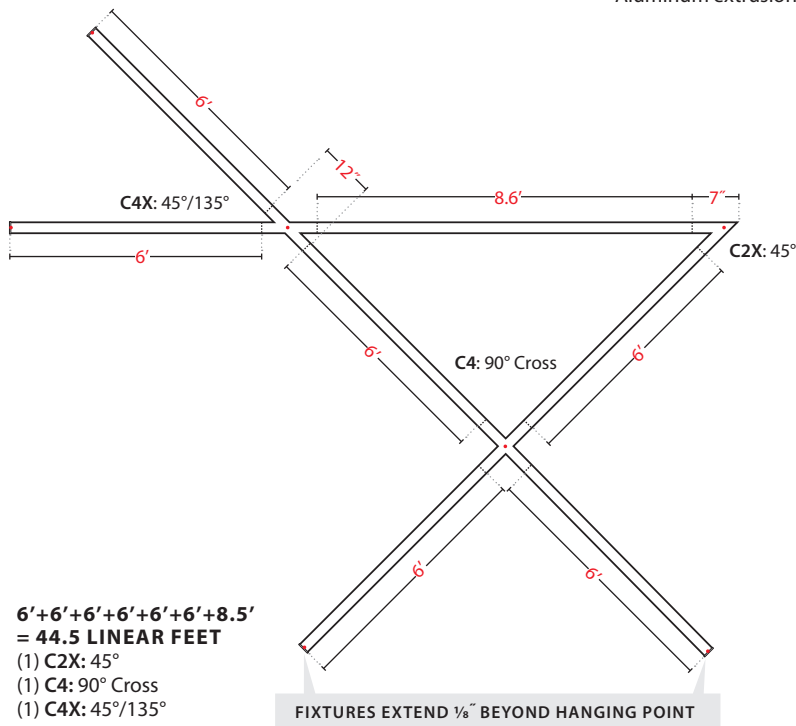


SPECIFYING PATTERNS:

A configuration drawing is required (examples below), consult factory for assistance.

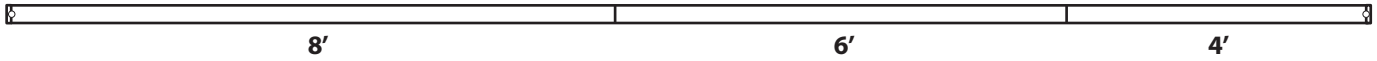
NOTE:

- Lens seams only at mitered corners or lengths above 8'
- Aluminum extrusion

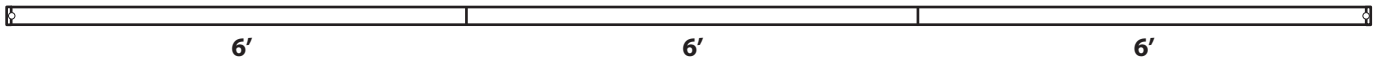




18' TYPICAL:



18' SYMMETRIC ROW LENGTH (SRL):



ROW LENGTH	FIXTURE BREAKDOWN	SYMMETRIC ROW LENGTH (SRL)
9'	(1) 6' + (1) 3'	(3) 3'
10'	(1) 6' + (1) 4'	5' + 5'
11'	(1) 8' + (1) 3'	4' + 3' + 4'
12'	(1) 8' + (1) 4'	(2) 6'
13'	(1) 8' + (1) 5'	4' + 5' + 4'
14'	(1) 8' + (1) 6'	(2) 7'
15'	(1) 8' + (1) 7'	(3) 5'
16'	(2) 8'	—
17'	(1) 8' + (1) 6' + (1) 3'	6' + 5' + 6'
18'	(1) 8' + (1) 6' + (1) 4'	(3) 6'
19'	(2) 8' + (1) 3'	6' + 7' + 6'
20'	(2) 8' + (1) 4'	8' + 4' + 8'
21'	(2) 8' + (1) 5'	(3) 7'
22'	(2) 8' + (1) 6'	8' + 6' + 8'
23'	(2) 8' + (1) 7'	8' + 7' + 8'
24'	(3) 8'	—
25'	(2) 8' + (1) 6' + (1) 3'	(5) 5'
26'	(2) 8' + (1) 6' + (1) 4'	7' + 6' + 6' + 7'
27'	(3) 8' + (1) 3'	5' + 5' + 7' + 5' + 5'
28'	(3) 8' + (1) 4'	(4) 7'
29'	(3) 8' + (1) 5'	6' + 6' + 5' + 6' + 6'

ROW LENGTH	FIXTURE BREAKDOWN	SYMMETRIC ROW LENGTH (SRL)
30'	(3) 8' + (1) 6'	(5) 6'
31'	(3) 8' + (1) 7'	6' + 6' + 7' + 6' + 6'
32'	(4) 8'	—
33'	(3) 8' + (1) 6' + (1) 3'	7' + 7' + 5' + 7' + 7'
34'	(3) 8' + (1) 6' + (1) 4'	7' + 7' + 6' + 7' + 7'
35'	(4) 8' + (1) 3'	(5) 7'
36'	(4) 8' + (1) 4'	(6) 6'
37'	(4) 8' + (1) 5'	8' + 8' + 5' + 8' + 8'
38'	(4) 8' + (1) 6'	8' + 8' + 6' + 8' + 8'
39'	(4) 8' + (1) 7'	8' + 8' + 7' + 8' + 8'
40'	(5) 8'	—
41'	(4) 8' + (1) 6' + (1) 3'	8' + 8' + 5' + 5' + 8' + 8'
42'	(4) 8' + (1) 6' + (1) 4'	(6) 7'
43'	(5) 8' + (1) 3'	6' + 6' + 6' + 7' + 6' + 6' + 6'
44'	(5) 8' + (1) 4'	6' + 6' + 6' + 8' + 6' + 6' + 6'
45'	(5) 8' + (1) 5'	7' + 7' + 7' + 3' + 7' + 7' + 7'
46'	(5) 8' + (1) 6'	7' + 7' + 7' + 4' + 7' + 7' + 7'
47'	(5) 8' + (1) 7'	7' + 7' + 7' + 5' + 7' + 7' + 7'
48'	(6) 8'	—
49'	(5) 8' + (1) 6' + (1) 3'	(7) 7'
50'	(5) 8' + (1) 6'	(10) 5'

NOTE: SRL will effect pricing – please consult factory.