

Pru-Toggle (X1) | CAX (T-Bar)

ADJUSTABLE TOGGLE CABLE INSTALLATION INSTRUCTIONS



PRUDENTIAL LTG.

PRULITE.COM 213.746.0360

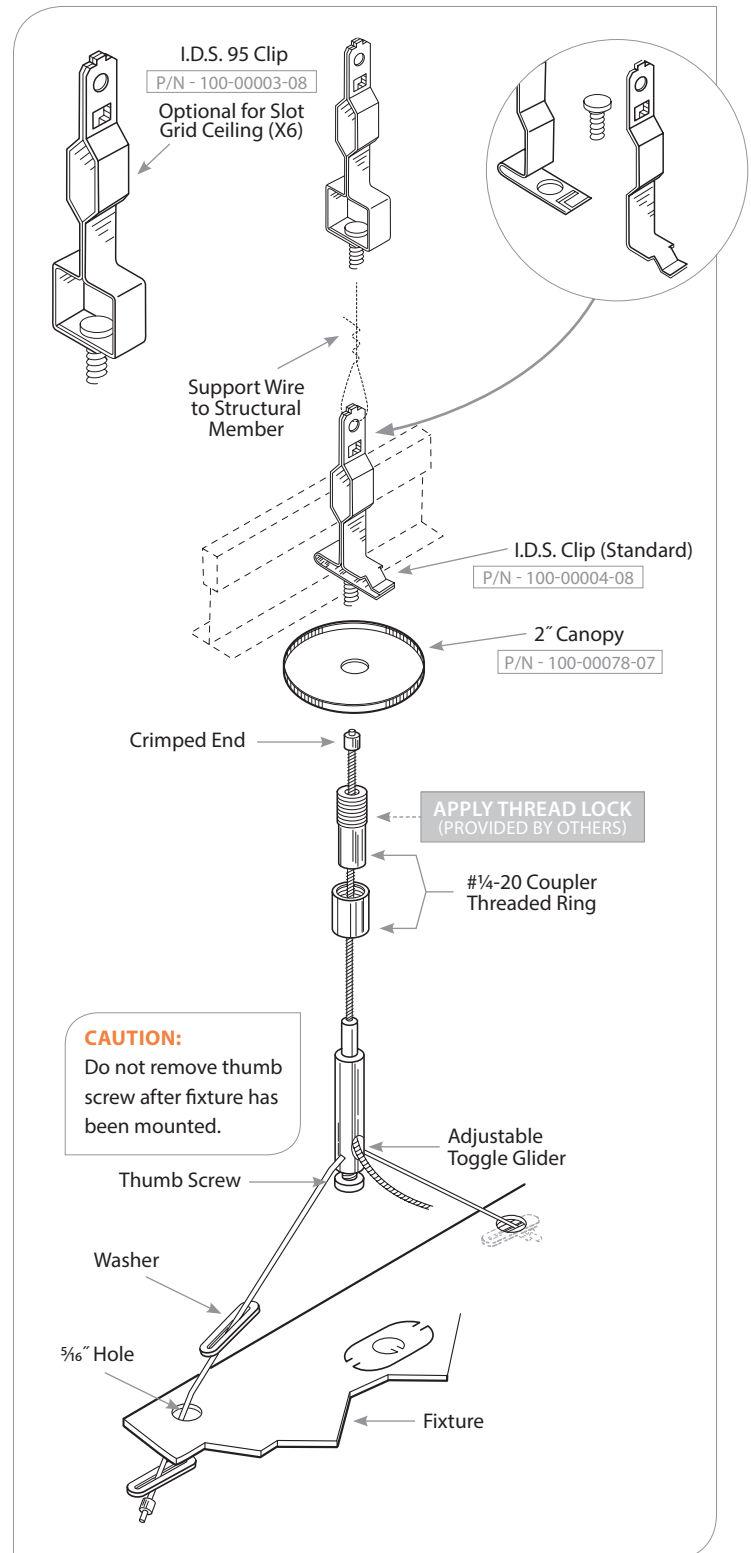
INSTALLATION

1. Place 1/4-20 stud into square opening on the bottom of I.D.S. clip. Position I.D.S. clip on ceiling grid at required location. Secure clip to structural member by inserting support wire through 1/4" dia. hole located at top of I.D.S. clip (Wire provided by others).
2. Insert open end of support cable through top threaded end of 1/4-20 coupling. Pull cable until crimp stops inside threaded end of coupling.
3. Push open (non crimped) end of cable through top (smooth end of adjustable glider). Insert cable completely through glider. Glider will engage around cable to prevent slipping. Disengage glider by pressing top smooth end down. Hold in place and pull cable back for adjustment.
4. Insert toggle cable through 5/16" holes on each side of fixture housing, adjust cable to desired lengths. Trim excess cable no less than 3" beyond cable outlet.
5. Unscrew threaded ring from top of 1/4-20 coupling. Insert 1/4-20 coupling and canopy rest on fixture end. Lift coupling/cable to ceiling with fixture attached and thread 1/4-20 coupler onto strap bolt (be sure coupling is secure). Adjust cable to required distance from ceiling surface. Lift canopy against ceiling surface and secure in place with threaded ring.

CAUTION: Do not remove crimp from cable. Crimps are factory pressed onto cable for maximum strength. Prudential Lighting will not be responsible for damage or injuries which occur due to cable/crimp alterations. If different cable lengths are required, contact Prudential Lighting immediately.

PARTS LIST

100-00004-08	I.D.S. Clip (Standard)	1
100-00003-08	I.D.S. 95 Clip (Slot Grid Ceiling Option) X6	1
100-00078-07	2" Dia. White Canopy	1
100-00082-08	53" Support Cable and Crimp	1
	1/4-20 Coupler and Ring	1
	Adjustable Toggle Glider	1
100-00087-08	96" Support Cable and Crimp	1
	1/4-20 Coupler and Ring	1
	Adjustable Toggle Glider	1
100-00023-08	192" Support Cable and Crimp	1
	1/4-20 Coupler and Ring	1
	Adjustable Toggle Glider	1



WARNING: Ground fixture in accordance with local and national electrical codes. Failure to do so may result in serious personal injury.

Pru-Toggle (X1) | CAX (T-Bar)

ADJUSTABLE TOGGLE CABLE INSTALLATION INSTRUCTIONS



PRUDENTIAL LTG.

PRULITE.COM 213.746.0360

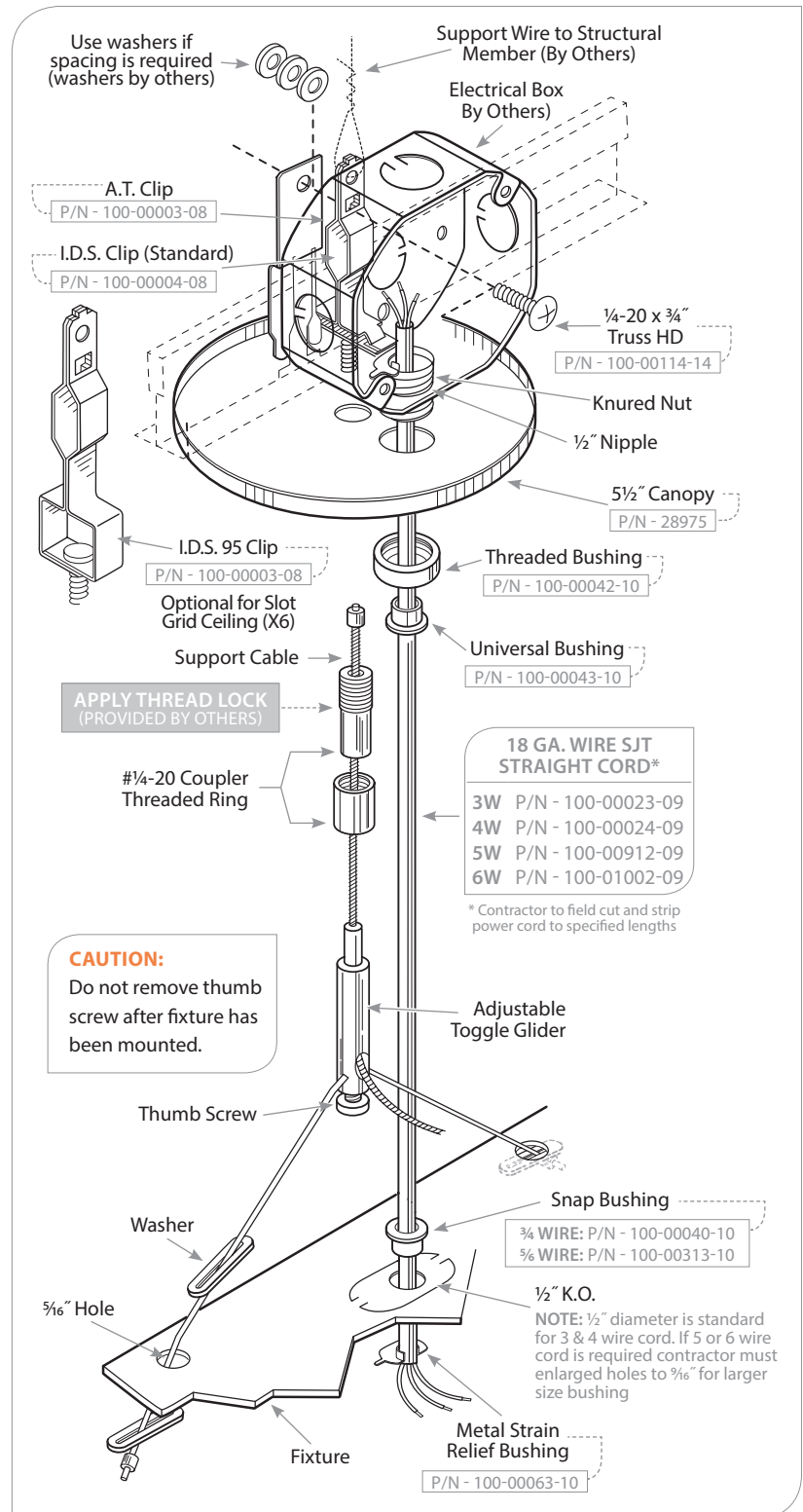
INSTALLATION

1. Place 1/4-20 stud into square opening on the bottom of I.D.S. clip. Position I.D.S. clip on ceiling grid at required location. Place A.T. Clip onto ceiling grid. Slide A.T. clip against I.D.S. clip. Attach 3 1/2" octagonal electrical box to A.T. clip with 1/4-20 x 3/4" screw. Place washers between A.T. clip and electrical box. Secure box to grid. (See figure 1).
2. Insert open end of support cable through top threaded end of 1/4-20 coupler. Pull cable until crimp stops inside threaded end of coupler. Push (Non-crimped end) of cable through top (smooth end of adjustable glider). Insert cable completely through glider. Hold in place and pull cable for adjustment.
3. Insert toggle cable through 5/16" holes on each side of fixture housing, adjust cable to desired lengths. Trim excess cable no less than 3" beyond cable outlet.
4. Remove 1/2" round K.O. from the fixture. *Contractor to field cut SJT cord at specified lengths and strip back a portion of outer insulation from one end of SJT cord. (Contractor to determine amount to be stripped). Insert stripped end of SJT cord through snap bushing. Press snap bushing and cord through 1/2" hole of the fixture. The cord should be secured with strain relief inside fixture.
5. Place threaded ring over top of 1/4-20 coupler. Insert 1/4-20 coupler through 1 3/32" dia. center hole on canopy. Slip universal bushing and threaded bushing over top end of SJT cord. Let canopy rest on fixture end. Lift coupler/cable to ceiling with fixture attached. Thread 1/4-20 coupler onto I.D.S. stud. (Be sure coupler is secure). Adjust cable to require distance from ceiling surface.
6. Use 1/2" nipple from canopy to electrical box. Trim SJT cord to required length and secure to electrical box with strain relief. Make all wire connections and replace electrical box cover. Lift canopy against ceiling surface. Apply a small amount of thread lock to coupler threaded area. Secure in place with threaded ring. Hold SJT cord under canopy and turn threaded bushing onto 1/2" nipple. Snap universal bushing into threaded bushing.

NOTE: Canopy will accommodate 3 1/2" octagonal electrical box. Electrical box must be attached to A.T. clip. Refer to NEC 370-16 for maximum electrical box fill. Clamp connector and electrical box provided by others.

CAUTION: Do not remove crimp from cable. Crimps are factory pressed onto cable for maximum strength. Prudential Lighting will not be responsible for damage or injuries which occur due to cable/crimp alterations. If different cable lengths are required, contact Prudential Lighting immediately.

* Cord must terminate directly into electrical box. Cord is not plenum rated. 1" of additional cord provided for each feed location.



WARNING: Ground fixture in accordance with local and national electrical codes. Failure to do so may result in serious personal injury.

Pru-Toggle (X1) | CAX (T-Bar)

ADJUSTABLE TOGGLE CABLE INSTALLATION INSTRUCTIONS



PRUDENTIAL LTG.

PRULITE.COM 213.746.0360

PARTS LIST

100-00042-10	White Threaded Bushing	1
100-00043-10	White Universal Bushing	1
100-00114-14	¼-20 x ¾" Truss HD Screw	1
100-00023-09	18 GA. 3 Wire SJT Cord	1
100-00091-08	Erico Caddy A.T. Clip	1
100-00040-10	White Snap Bushing	1
100-00313-10	White Snap Bushing ⅝" (5 Wire Option)	1
100-00063-10	Strain Relief Bushing	2
100-00004-08	I.D.S. Clip (Standard)	1
100-00003-08	I.D.S. 95 Clip (Slot Grid Ceiling Option) X6	1
28975	5½" Dia. White Canopy	1
100-00039-08	53" Support Cable and Crimp	1
	¼-20 Coupler and Ring	1
	Adjustable Toggle Glider	1
100-00085-08	100" Support Cable and Crimp	1
	¼-20 Coupler and Ring	1
	Adjustable Toggle Glider	1
100-00042-08	200" Support Cable and Crimp	1
	¼-20 Coupler and Ring	1
	Adjustable Toggle Glider	1

WARNING: Ground fixture in accordance with local and national electrical codes. Failure to do so may result in serious personal injury.