

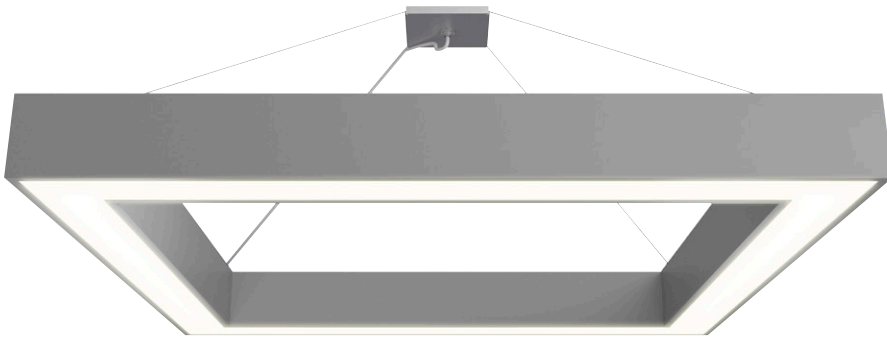


Quad Frame | Pendant & Surface



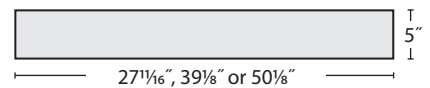
PRUDENTIAL LTG.

PRULITE.COM 213.746.0360



Type:

Job:



Prefabricated patterns.

Sleek and seamless Euro-styled body and lens with 5" height and sharp .5" trim detail. 4" aperture lens for O, C and Quad Frame. All with seamless and evenly lit flat white acrylic lenses and independent uplight.

QDF-33-LED35-SO-FWA-D1
6063 Delivered Lumens
102 Watts
LIGHT LABS TEST
#102999977LAX-001

LUMEN OUTPUT: Direct (D1)

		LO	MO	SO	HO
QDF-22:	Im	1950	2500	4100	5200
	w	30	40	68	88
QDF-33:	Im	2950	3750	6300	7800
	w	45	60	102	132
QDF-44:	Im	4000	5000	8300	10300
	w	61	80	136	176



Lumen output may vary +/- 5%
3500K used for lm/ft estimates above
4000K +2% llf, 3000K -2%, 2700K -4%
-10% LLF for 90 CRI (4K, 3500K and 3K)

See LED Details PDF for more info

SERIES	LED COLOR	OUTPUT	SHIELDING	COLOR/ FINISH	DISTRI- BUTION	CIRCU- TING	VOLT- AGE	MOUNTING	CEILING SYSTEMS	DRIVERS	OPTIONS & CONTROLS
QDF-22 2' x 2' (28 lbs)	LED27 2700K (90CRI)	LO Low MO Medium	FWA Flat White Acrylic Lens	TMW Textured Matte White (Standard)	D1 Direct Solid Top D9 Semi- Direct	SC Single Circuit	UNV (120-277)	SUR Surface Mount (1" Standoff from ceiling)	X1 T-Bar 1 5/16" or 3/16" Exposed (Standard) Consult factory for 3/8" Regular	ND Non-Dimming DM10 0-10v, 10% Dimming (Standard) DM01 0-10v, 1% Dimming	EML* Emergency Battery, Low (400 delivered lumens)
QDF-33 3' x 3' (45 lbs)	LED3 3000K	SO Standard HO High		YGW Gloss White		DC Dual Circuit (Two feeds required, D9 only) To specify more or less Up- light, see Output.	347 (Emergen- cy battery requires a Step Down trans- former)	4PM Square 4 Point Mounting - 96" or 200" Cable (Min 18" from fixture to ceiling) NOTE: 4PM-X1/X6 requires additional part by others, www.erico.com 512HDFM35	X3 Hard Ceiling X6 Slot Grid or Interlude	STEP Step Dimming, 100-50-Off, Osram NOTE: Lumens and watts per foot may differ for STEP drivers, consult factory LDES 5%, Lutron (Ecosystem) LDE1 1%, Lutron (Soft Fade to Black, Ecosystem)	EMH* Emergency Battery, High (550 delivered lumens)
QDF-44 4' x 4' (60 lbs)	LED4 4000K LED3-90 90CRI LED35- 90 90CRI LED4-90 90CRI	PROG Program- mable Light Output (Specify desired lm or w/fixture) NOTES: Specify separate output Down / Up if de- sired eg. LO/HO (Low Down, High Up) Consult fac- tory for uplight lumen output QDF-22:: NA LO or MO Uplight unless Downlight is same output level		Y Premium Color CC Custom Color NOTE: All canopies are painted the same color as the fixture unless specified otherwise			MPCa Monopoint Mounting (Adj: 36" min from fixture to ceiling) NOTE: Fixture may spin with air movement CA48", 96" or 144" Aircraft Cable (Adjustable) SSC__ Top-Swivel Stem Mount (X3 only - Specify length)		ECO 1% 0-10v, EldoLED ECDA 1% DALI, EldoLED SOLO 0.1% 0-10v, EldoLED (Dim to Dark) SODA 0.1% DALI, EldoLED (Dim to Dark)	IBC Insulated Braided Cord PRUBIN Meticulous Binning and Labeling every LED Board within a 2-Step MacAdams Ellipse *SUR-remote mount only, within 30' of fixture	



Prudential Ltg. reserves the right to change design specifications or materials without notice. Please visit prulite.com for most current data.
© 2014 All rights reserved - All products manufactured at: Prudential Ltg. 1774 E. 21st Street, Los Angeles, CA 90058

Pendant

1

10-31-2017



D1

Low Output:

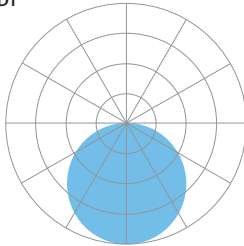
QDF-33-LED35-SO-FWA-D1

6063 Delivered Lumens

102 Watts

LIGHT LABS TEST

#102999977LAX-001



Zonal Lumen Summary:

0-90 = 100%

1225

Vertical Angle	0	25	45	65	90
0	2080	2080	2080	2080	2080
5	2078	2069	2069	2068	2075
15	2005	1996	1995	1994	2001
25	1862	1854	1851	1850	1850
35	1658	1650	1646	1644	1648
45	1399	1393	1387	1386	1391
55	1103	1096	1089	1087	1092
65	777	769	764	761	767
75	445	438	435	433	440
85	138	134	133	132	135
90	0	0	0	0	0

D9

Standard Output:

QDF-33-LED35-SO-FWA-D9

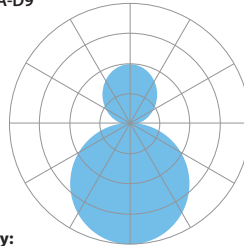
7947 Delivered Lumens

122 Watts

65 lm/w

INTERTEK TEST

#102999977LAX-002



Zonal Lumen Summary:

0-90 = 100%

1968

Vertical Angle	0	22.5	45	67.5	90
0	1968	1968	1968	1968	1968
5	1958	1657	1959	1957	1956
15	1882	1881	1882	1880	1879
25	1741	1740	1739	1737	1735
35	1543	1541	1540	1537	1535
45	1295	1293	1289	1286	1285
55	1008	1006	1002	1000	1000
65	704	698	694	696	699
75	392	387	385	384	386
85	104	101	102	101	100
90	0	0	0	0	0
95	31	32	33	33	33
115	258	258	260	260	259
125	399	399	400	400	399
135	543	545	547	546	547
145	689	688	693	689	689
155	811	811	814	812	811
165	897	895	899	896	897
175	941	941	944	942	943
180	949	949	949	949	949

LUMEN OUTPUT: Direct/Semi-Indirect (D9)

D1 ON PREVIOUS PAGE

		LO	MO	SO	HO
QDF-22:	lm	2500	3200	5300	6600
	w	36	48	81	105
QDF-33:	lm	3500	4650	8000	10000
	w	54	72	122	158
QDF-44:	lm	4700	6250	10500	13600
	w	73	96	163	211

LUMEN MAINTENANCE

Designed to last with cool running mid-power LEDs projected to maintain 90% (L90) of their initial output for 100,000 hours (at HO), and L70 exceeding 150,000 hours.

LED SYSTEM

LED modules and drivers are field replaceable.

PROG^(optional)

Programmable light output. Specify desired lumens or watts, consult factory for min and max on Sky Oculus Series.

BINNING

Standard binning (all Prudential LED boards) includes testing at the chip level and board integration to provide consistent color temperature within a 3-step MacAdams ellipse. +/- 100 lumens, +/- 100k CCT and +/- .004 Duv

PRUBIN^{™(optional)}

Prudential Ltg's exclusive 'job binning' method that ensures color temperature consistency across all luminaires on a project. Meticulously testing and labeling **EVERY LED BOARD** to +/- 25 lumens, +/- 50k CCT and +/- .004 Duv — while also separating positive from negative — allows us to match color, hue and intensity throughout a project and provides a consistent color temperature within a 2-step MacAdams ellipse.

ELECTRICAL

Must specify LED dimming controls. LED fixtures have constant current driver(s) with less than 20% THD when loaded to a minimum of 60%. Drivers sink a maximum of 6mA per driver. DM10 LED drivers are 0-10V dimmable and are compatible with most 0-10V wall slide dimmers and direct 0-10V analog signal dimmers.

CONSTRUCTION

Housing	Extruded aluminum, >25% PC recycled, 100% recyclable
Lens	Flat acrylic, 100% recyclable
Weight	QDF-22: 28 lbs QDF-33: 45 lbs QDF-44: 60 lbs

LABELS

ETL damp labeled and I.B.E.W. manufactured

MOUNTING

Surface or suspended by aircraft cables, top-swivel stems

WARRANTY

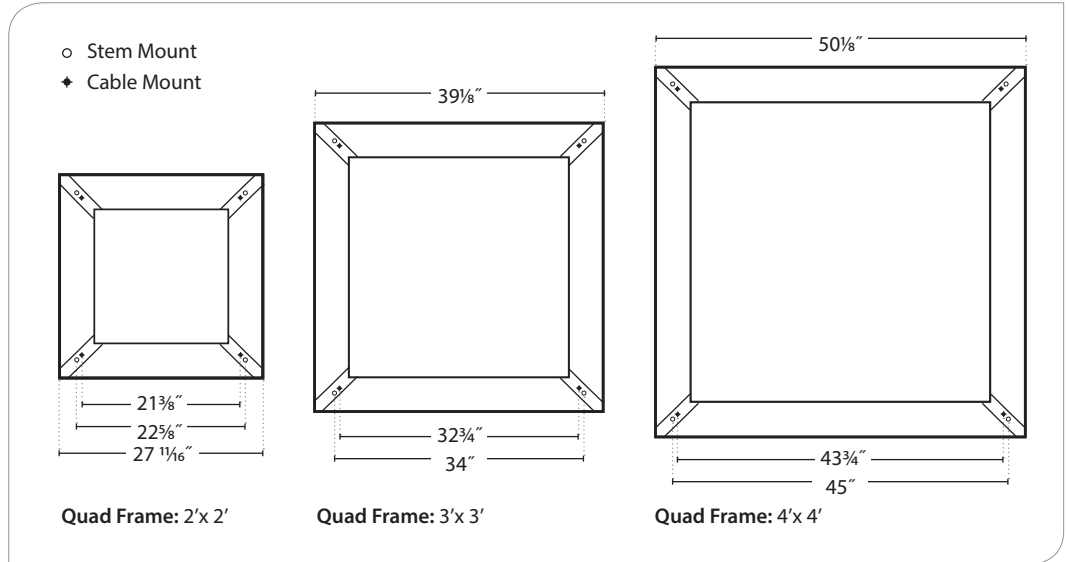
Single-source, 5 year limited warranty covers standard components and construction



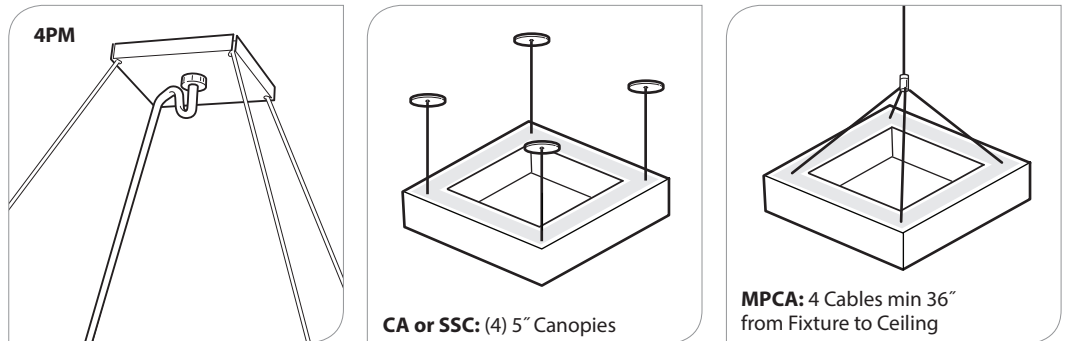


NEW YSW – Seashell White (Matte)	NEW YCH – Champagne (Metallic)
YSL – Silver (Metallic)	YPE – Pewter (Matte)
YRG – Rain Grey (Gloss)	YSTM – Storm Grey (Matte)
NEW YBK – Black (Matte)	NEW YBB – Black (Semi Gloss)
YSKM – Sky (Matte)	NEW YMB – Military Blue (Matte)
NEW YIB – Interstate Blue (Matte)	YSAM – Sapphire (Matte)
NEW YFGM – Forest Green (Matte)	YBR – Bronze (Matte)
YBY – Boysenberry (Matte)	YSRM – Sunset Red (Matte)
NEW YOR – Orange (Matte)	NEW YDAM – Daffodil (Matte)

MOUNTING LOCATIONS



MOUNTING OPTIONS



Choose from one of our Premium Colors with no set-up fee.

For paint chip samples, please e-mail: info@prulite.com

