

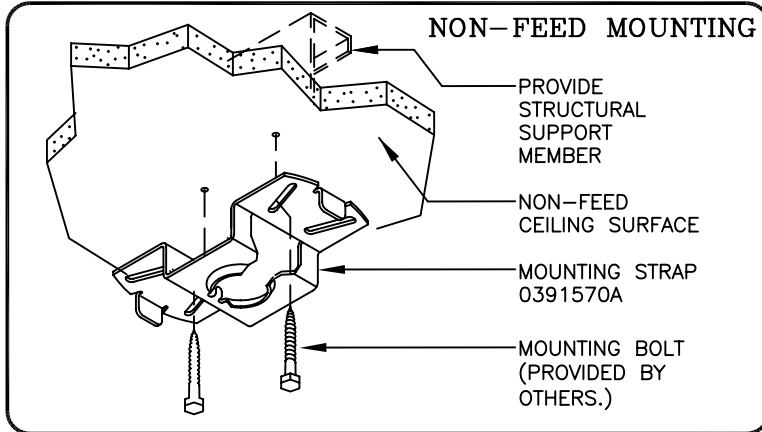
SSC/HARD CEILING (X3) INSTALLATION INSTRUCTIONS

WARNING:

GROUND FIXTURE IN ACCORDANCE WITH LOCAL AND NATIONAL ELECTRICAL CODES. FAILURE TO DO SO MAY RESULT IN SERIOUS PERSONAL INJURY.

SUPPORTS MAXIMUM
WEIGHT OF 50 LBS.

NOTE 1.
MOUNTING STRAP #0391570A,
WILL ACCOMMODATE A 3", & 4"
OCTAGONAL ELECTRICAL BOX, OR
A 4" SQUARE BOX WITH PLASTER
RING.

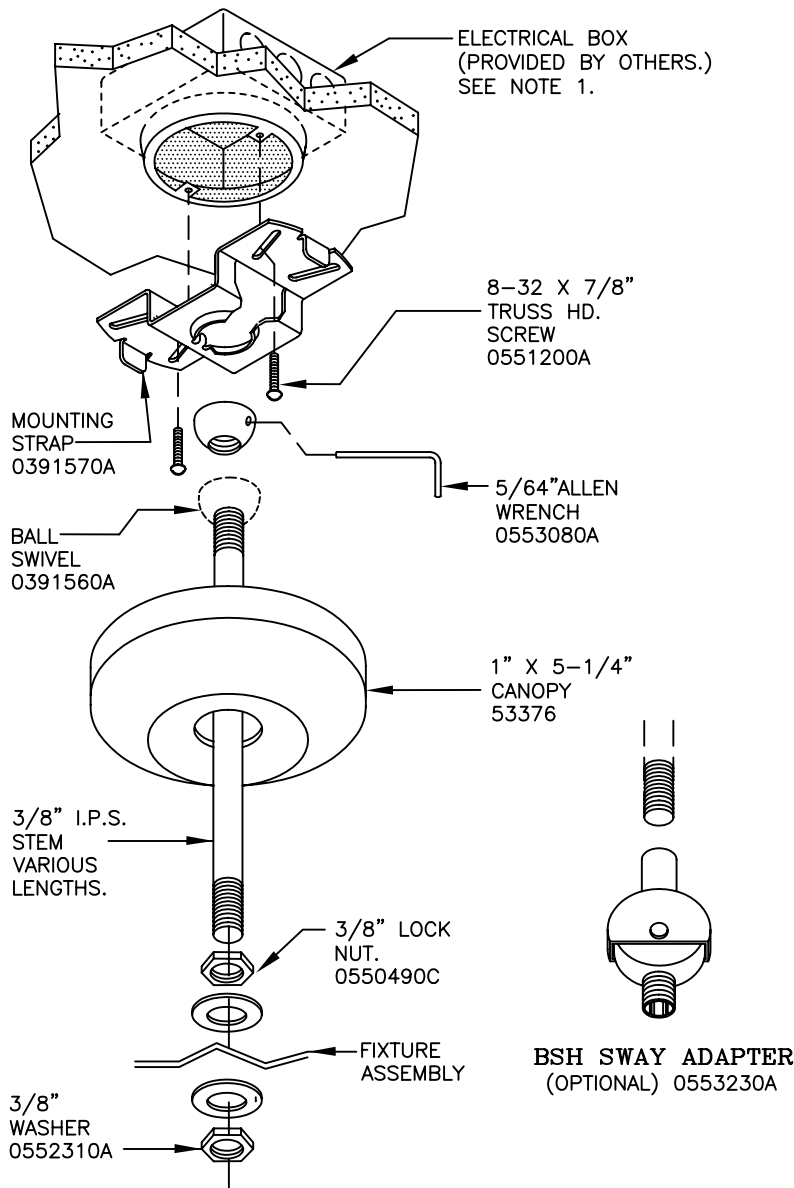


STEP 1 USE (2) #8-32 X 7/8" SCREWS TO ATTACH MOUNTING STRAP TO ELECTRICAL BOX.

STEP 2 SCREW BALL SWIVEL TO ONE END OF THREADED STEM. SECURE IN PLACE WITH SET SCREW. INSERT OTHER END OF STEM THROUGH HOLE IN CANOPY AND FASTEN TO FIXTURE WITH 3/8" I.P.S. LOCK NUTS AND WASHERS PROVIDED.

STEP 3 RUN WIRES THROUGH STEM AND RAISE FIXTURE ASSEMBLY TO CEILING. INSERT BALL SWIVEL INTO MOUNTING STRAP.

STEP 4 MAKE ALL NECESSARY WIRING CONNECTIONS PER NATIONAL AND LOCAL BUILDING CODE REQUIREMENTS. HAND PRESS CANOPY ONTO MOUNTING STRAP.



PARTS LIST

0551200A	#8-32 X 7/8" TRUSS HD. MACHINE SCREW	2
0391570A	#14 GAUGE MOUNTING STRAP	1
0391560A	3/8" I.S.P. BALL SWIVEL	1
0553080A	5/64" ALLEN WRENCH	1
53376	1" X 5-1/4" DIAMETER CANOPY	1
0552310A	3/8" X 7/8" PLAIN WASHER	2
0550490C	3/8" LOCK NUT	2
0531680A	BSH SWAY ADAPTER (OPTIONAL)	1
3/8" I.P.S. THREADED STEM (VARIOUS LENGTHS)		
0531440A	6" LONG THREADED ENDS	
0531460A	12" LONG THREADED ENDS	
0531480A	18" LONG THREADED ENDS	
0531490A	24" LONG THREADED ENDS	
0531500A	30" LONG THREADED ENDS	
0531510A	36" LONG THREADED ENDS	
0531540A	48" LONG THREADED ENDS	
0531580A	60" LONG THREADED ENDS	
0531590A	72" LONG THREADED ENDS	
0531610A	96" LONG THREADED ENDS	



1774 EAST 21ST STREET L.A. CA 90058
TEL. (213)746-0360 FAX (213)746-8838
PRUDENTIAL LTG. WWW.PRULITE.COM

DRAWN BY: S.P.H.
DATE: 9/17/09
CHK. DATE:

DWG. No.

42096

DISK No.
ZD3

REV.
A