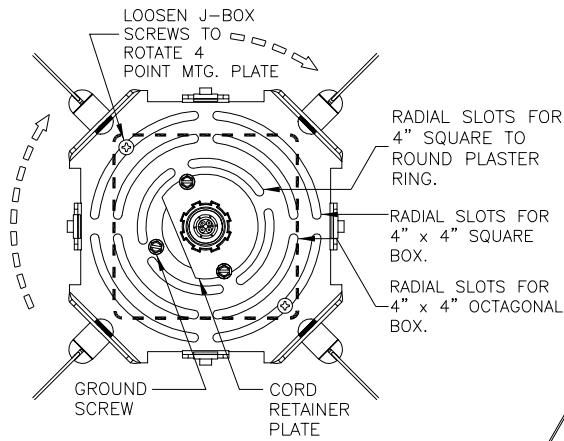
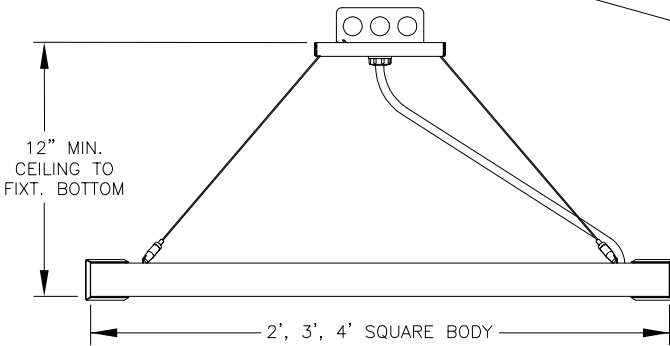
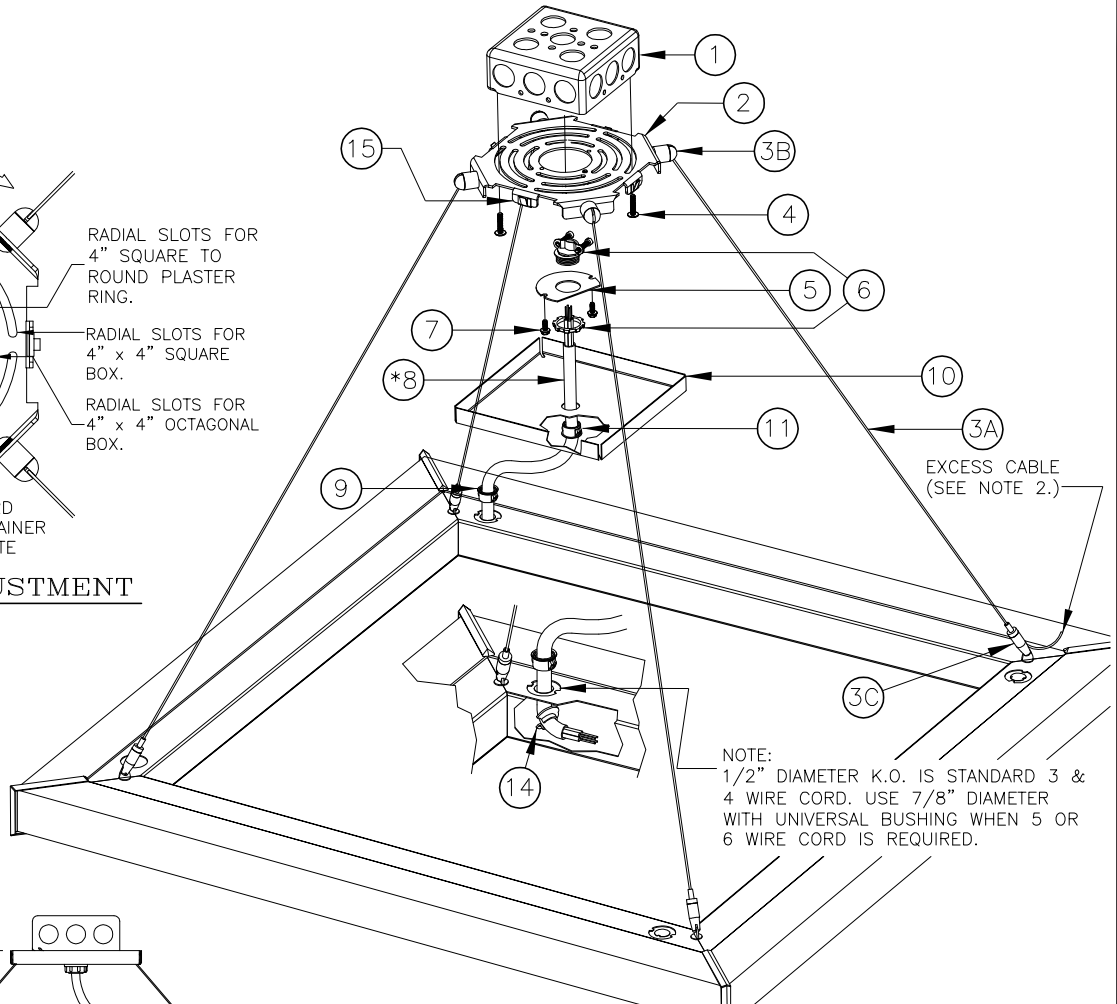


4PM MOUNTING X3 INSTALLATION INSTRUCTIONS

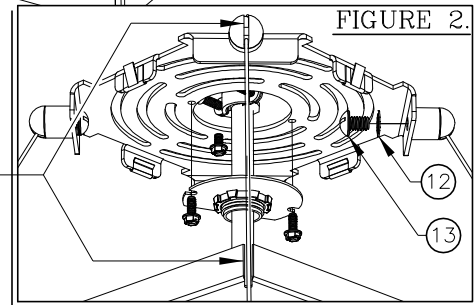
WARNING:
GROUND FIXTURE IN ACCORDANCE WITH LOCAL AND NATIONAL ELECTRICAL CODES. FAILURE TO DO SO MAY RESULT IN SERIOUS PERSONAL INJURY.



ROTATIONAL ADJUSTMENT



INSTALLED ELEVATION



GENERAL NOTES:

- 1-CONTRACTOR TO FIELD CUT AND STRIP POWER CORD TO SPECIFIED LENGTHS.
- 2-TRIM EXCESS CABLE NO LESS THAN 3" BEYOND GRIPPER OUTLET, (3C).

SYM.	P/N	PART DESCRIPTION	QTY.
6	NOT PROVIDED	NON METALLIC CORD / ROMEX CLAMP (BY OTHERS)	—
5	89652	4PM CORD RETAINER PLATE	1
4	NOT PROVIDED	ELECTRICAL BOX SCREWS (BY OTHERS)	—
	A	5/64"x96" GALVANIZED CABLE	4
	B	CC-1420-SL2.1 COUPLER	4
	C	18ZG-1420e-315 GRIPPER	4
2	88298	4 POINT MOUNTING PLATE	1
1	NOT PROVIDED	ELECTRICAL BOX (BY OTHERS)	—

ZENITH 4PM MOUNTING PARTS LIST

SYM.	P/N	PART DESCRIPTION	QTY.
15	100-00002-08	RETAINER CLIP	4
14	100-00063-10	STRAIN RELIEF BUSHING	1
13	100-0000-14	1/4-20 X 3/8" ROUND HD. MACHINE SCREW	1
12	100-00068-14	LOCK WASHER, 1/4" INTERNAL TOOTH	1
11	100-00043-10	WHITE UNIVERSAL BUSHING	2
10	88299	#20 GA. 4 POINT MOUNTING CANOPY	1
9	100-00040-10	WHITE SNAP BUSHING	1
8	100-00023-09	18 GA. 3 WIRE SJT CORD	1
7	100-00047-14	#8-32 X 3/8" HEX WASHER SELF TAP SCREW	1



1774 EAST 21ST STREET L.A. CA 90058
TEL. (213)746-0360 FAX (213)746-8838

PRUDENTIAL LTG. WWW.PRULITE.COM

DRAWN BY: SPH
DATE: 4/13/15

DWG. No.

90562

DISK No. VAULT

CHK. REV. DATE

REV.