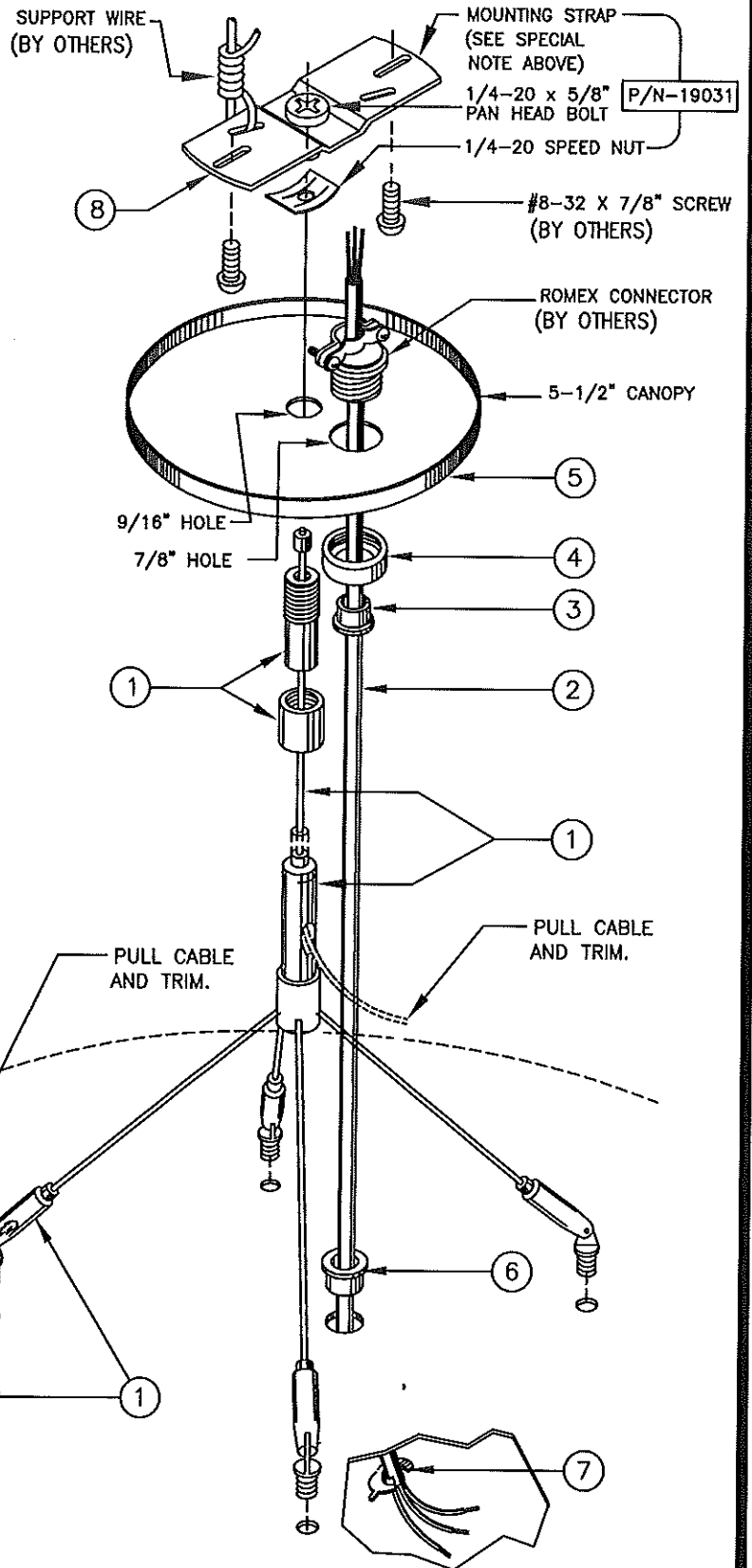
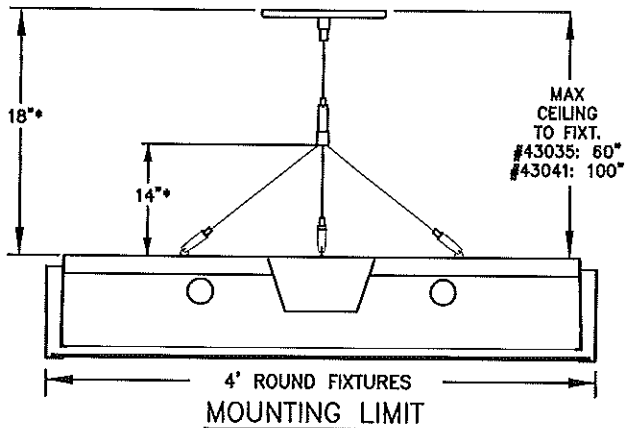


4-WAY MONOPOINT X3B INSTALLATION INSTRUCTIONS

WARNING:
GROUND FIXTURE IN ACCORDANCE WITH LOCAL AND NATIONAL ELECTRICAL
CODES. FAILURE TO DO SO MAY RESULT IN SERIOUS PERSONAL INJURY.

MINIMUM MOUNTING DISTANCES:
*4 ROUND AND 3' LED ROUND



ASSEMBLY NUMBER 43035 (53" CABLE)			
SYM.	P/N	PART DESCRIPTION	QTY.
8	19031	MOUNTING STRAP, 1/4-20 SPEED NUT, 1/4-20 X 5/8" PAN HD. SCREW	1
7	100-00063-08	METAL STRAIN RELIEF BUSHING	1
6	100-00040-10	WHITE SNAP BUSHING	1
5	28975	5-1/2" DIA. WHITE CANOPY	1
4	100-00042-10	THREADED BUSHING	1
3	100-00043-10	WHITE UNIVERSAL BUSHING	1
2	100-00023-09	18 GA. 3 WIRE SJT CORD 6'	1
1	100-00088-08	COUPLER W/ 53" CABLE	1
		4 WAY CABLE ADAPTER	1
		1/4-20 KEPS LOCK NUT	4
		PIVOTING CABLE GLIDER	4

ASSEMBLY NUMBER 43041 (96" CABLE)			
SYM.	P/N	PART DESCRIPTION	QTY.
8	19031	MOUNTING STRAP, 1/4-20 SPEED NUT, 1/4-20 X 5/8" PAN HD. SCREW	1
7	100-00063-08	METAL STRAIN RELIEF BUSHING	1
6	100-00040-10	WHITE SNAP BUSHING	1
5	28975	5-1/2" DIA. WHITE CANOPY	1
4	100-00042-10	THREADED BUSHING	1
3	100-00043-10	WHITE UNIVERSAL BUSHING	1
2	100-00023-09	18 GA. 3 WIRE SJT CORD 10'	1
1	100-00025-08	COUPLER W/ 96" CABLE	1
		4 WAY CABLE ADAPTER	1
		1/4-20 KEPS LOCK NUT	4
		PIVOTING CABLE GLIDER	4



1774 EAST 21ST STREET L.A. CA 90058
TEL. (213)746-0360 FAX (213)746-8838
PRUDENTIAL LTG. WWW.PRULITE.COM

DRAWN BY: S.P.H. DATE: 6/5/09
CHK. REV. DATE: 2/2/15

DWG. No. 43035
43041
43046

DISK No. ZD3
REV. A