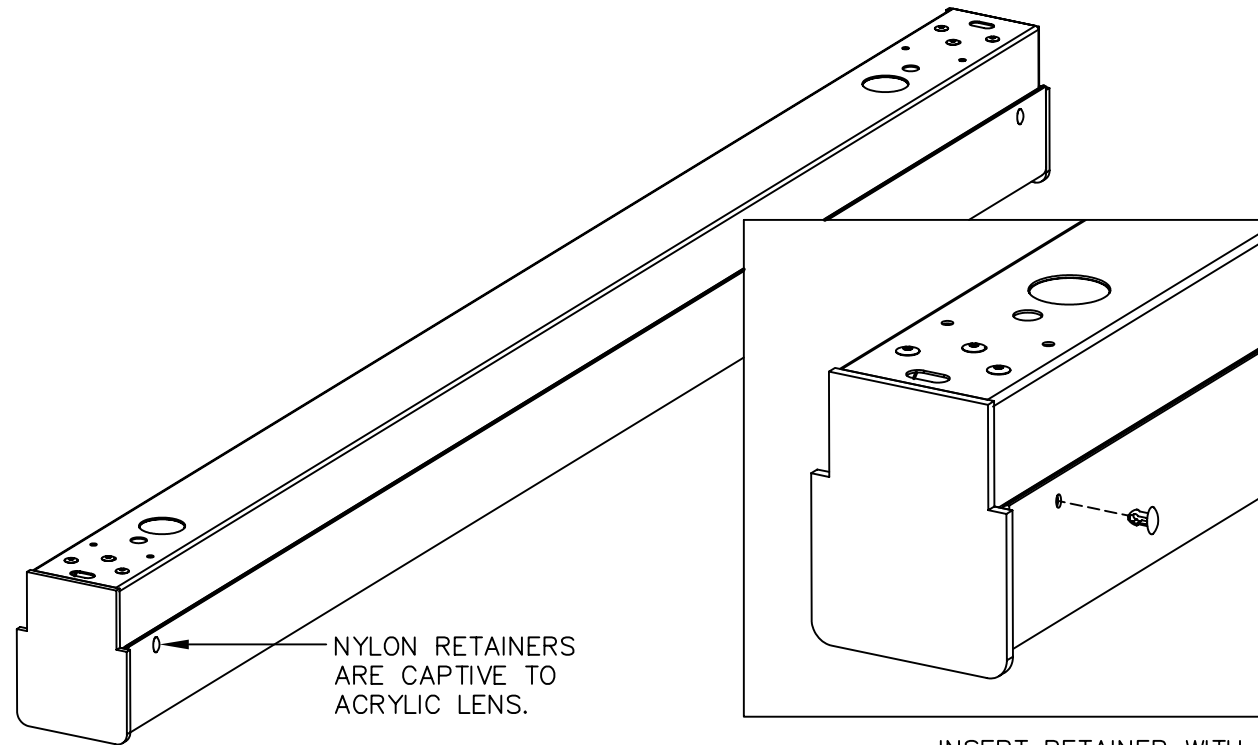
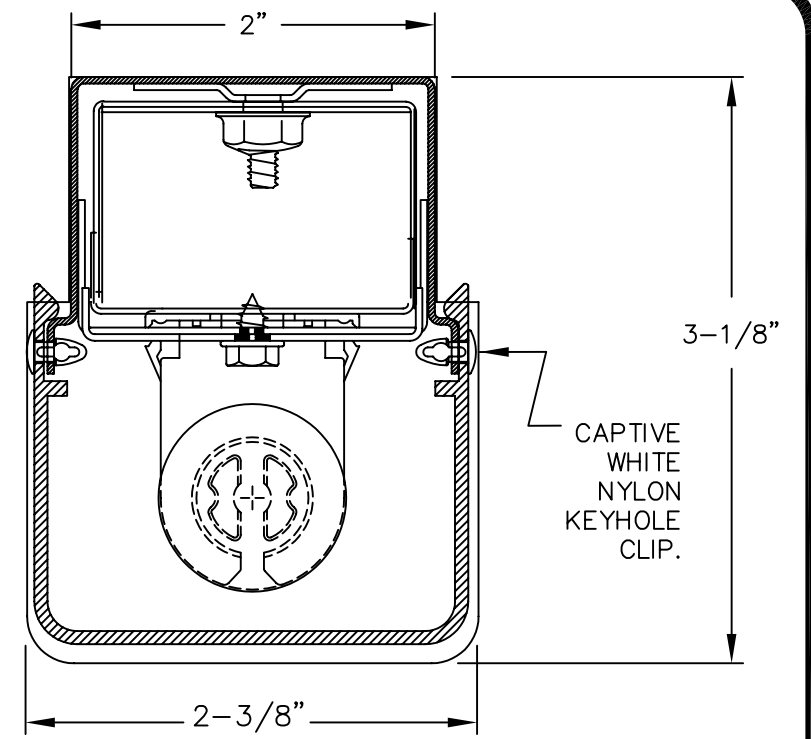


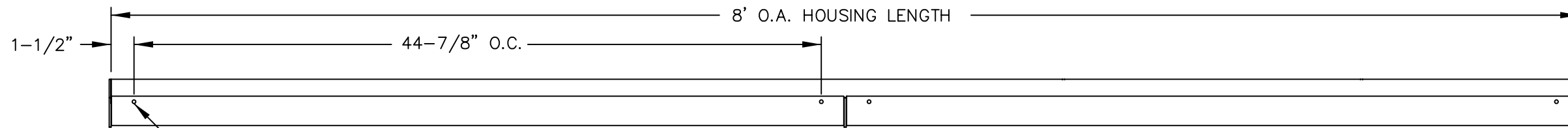
T5 CROSS SECTION
FULL SCALE



INSERT RETAINER WITH FINGER PRESSURE.

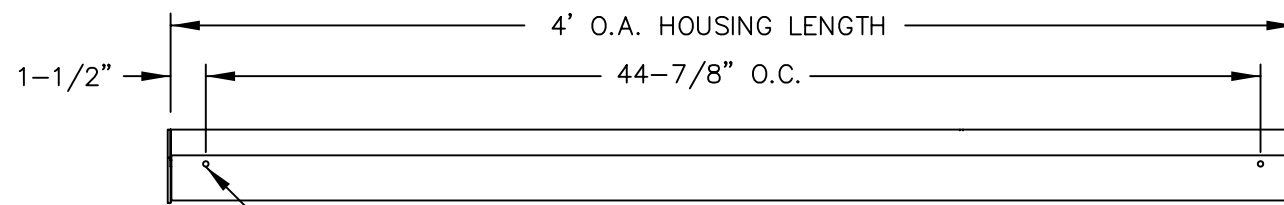


T8 CROSS SECTION
FULL SCALE



KEYHOLE CLIP LOCATION (TYP.) 4 PER LENS

8' HOUSING SIDE VIEW
NO SCALE



KEYHOLE CLIP LOCATION (TYP.) 4 PER LENS

4' HOUSING SIDE VIEW

GENERAL SPECIFICATIONS :

- HOUSING CONSTRUCTION : DIE FORMED #20 GA. COLD ROLLED STEEL.
- BALLAST COVER : DIE FORMED #20 GAUGE COLD ROLLED STEEL.
- BALLAST : U.L. LISTED 28, OR 32 WATT ELECTRONIC
- DIFFUSER : WHITE EXTRUDED ACRYLIC .080 THICK WALL (PRESS FIT).

- KEYHOLE CLIP : WHITE NYLON LENS RETAINER. INSTALLED WITH HAND PRESSURE AND CAPTIVE TO LENS.
- LAMP : 28 WATT T-5, OR 32 WATT T8 (PROVIDED BY OTHERS).
- FINISH : GLOSS WHITE POWDER COAT, (YGW).
- LABELS : FLUORESCENT LUMINAIRE (U.L. 1598).

REV.	DESCRIPTION	DATE	DRAWN BY
------	-------------	------	----------

DISK No. ZD3	SCALE: NOTED
	SHEET 1 OF 1
	FINISH: NOTED
	MATERIAL: NOTED
PRUDENTIAL LTG. 1774 EAST 21ST STREET L.A. CA 90058 WWW.PRULITE.COM	

DRAWN BY: SPH	DATE: 4/6/10	TITLE
CHK.	DATE	NYLON CAPTIVE KEYHOLE LENS RETAINER CLIP
APPR.	DATE	
DWG/PART No.		REV.
S1-1T5/T8 ACRYLIC LENS		