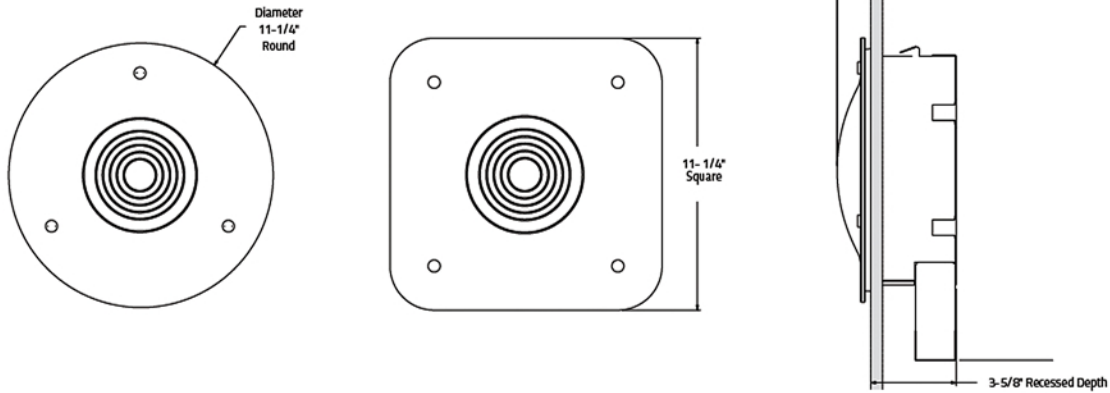


→ ERgo



Specs:

Features: Slim 1.5" projection wall sconce to meet OSHPD 1003.3.3 California Building Code. Silkscreened concentric ring pattern on sand-blasted glass.

Construction: 20 gauge formed steel housing, 3/16" tempered glass (frosted), LED array with 119 chips in a neutral (4000k) or warm (3000k) color with 80+ CRI.

Finish: White reflector trim edge (TMW). Brushed Stainless binding posts.

Electrical: LED fixtures have instant-start electronic drivers with less than 20% THD and are dimmable to 10% using 0-10v inputs. Fixtures are U.L. Damp labeled and I.B.E.W. manufactured.

Mounting: Recessed into walls up to 1-1/4" thick.

Options: EMH: emergency battery - remote only (LED=1000 lumens); DM: Lutron 1% dimming driver;

series	lamp rows	shielding	color/finish	distribution	circuiting	voltage	mounting	options
ERgo								
	LED3 3000k	RD Round	TMW textured matte white	D1 direct	SC single circuit	120	WM Wall mount	EMH
	LED4 4000k	SQ Square with Rounded Corners				277 UNV		DM 1%

