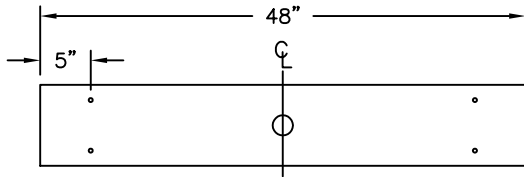


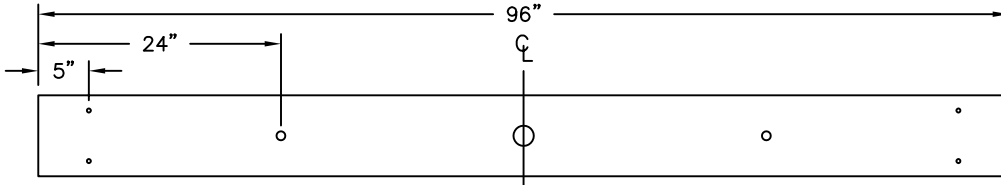
P-1702 SERIES INSTALLATION INSTRUCTIONS



4' MOUNTING PLAN

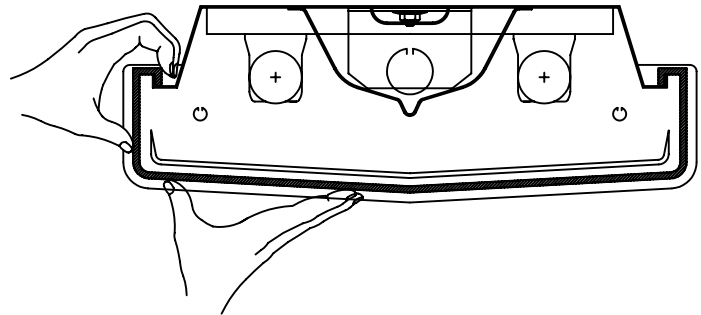
WARNING:

GROUND FIXTURE IN ACCORDANCE WITH LOCAL AND NATIONAL ELECTRICAL CODES. FAILURE TO DO SO MAY RESULT IN SERIOUS PERSONAL INJURY.

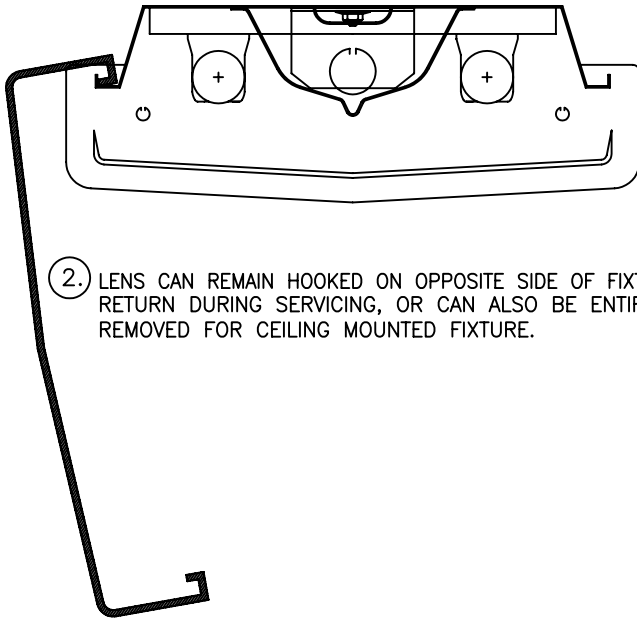


8' MOUNTING PLAN

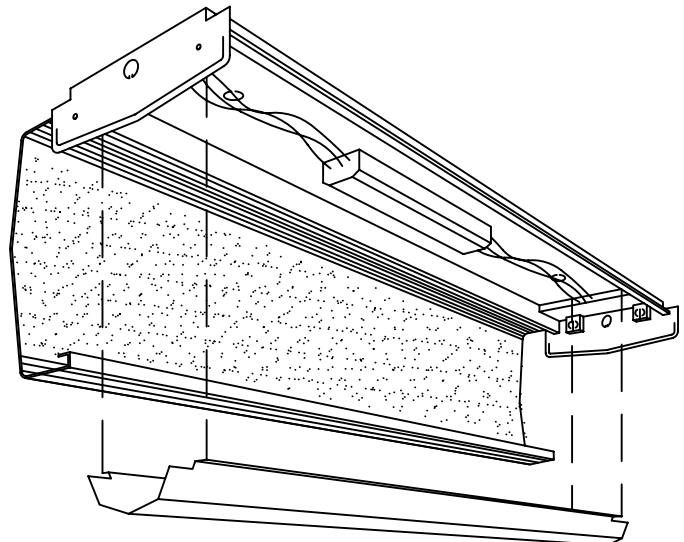
- = $\varnothing 2" \times 7/8"$ K.O.
- = $\varnothing 7/8"$ K.O.
- = $\varnothing 5/16"$ MTG. HOLE



1. PUSH UPWARDS UNTIL HOOK PORTION OF LENS CLEARS RETURN PORTION OF STEEL FIXTURE. PULL OUTWARD UNTIL LENS FALLS FREE FROM FIXTURE RETURN.



2. LENS CAN REMAIN HOOKED ON OPPOSITE SIDE OF FIXTURE RETURN DURING SERVICING, OR CAN ALSO BE ENTIRELY REMOVED FOR CEILING MOUNTED FIXTURE.



3. REMOVE BALLAST COVER TO EXPOSE BALLAST AND LEAD WIRES. MOUNT FIXTURE TO CEILING SURFACE. WITH HARDWARE (PROVIDED BY OTHERS.) MAKE ALL WIRE CONNECTIONS AND REPLACE BALLAST COVER AND LENS.



PRUDENTIAL LTG . WWW.PRULITE.COM

1774 EAST 21ST STREET L.A. CA 90058
TEL. (213)746-0360 FAX (213)746-8838

DRAWN BY: S.P.H. DATE: 6/12/08

DWG. No.

42123

DISK No. ZD3

CHK. DATE

REV.

A