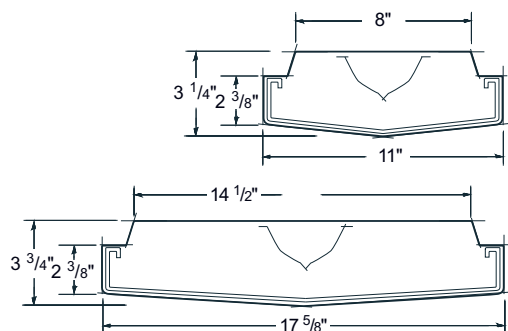
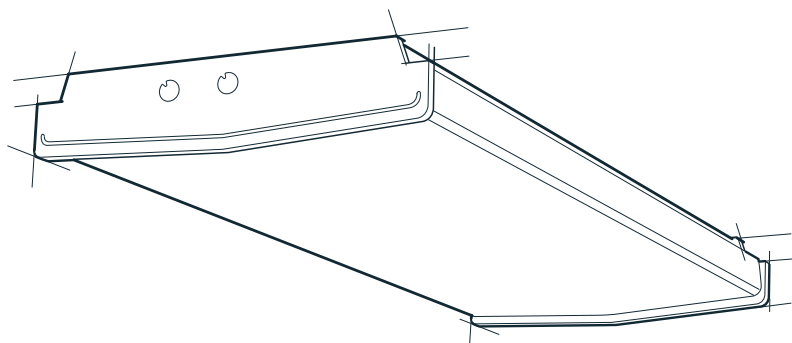


P1700 Surface Mount



ordering

series	lamp rows	nominal length	shielding	color/finish	circuiting	voltage	mounting	options
P1702	11" body (11") 2T8	04' 08'	PRA prismatic acrylic lens	TMW textured matte white	SC single circuit	120 277	SUR* surface mount	AL
P1704	17 5/8" body (17 5/8") 2T8 4T8			YGW* gloss white Y__ premium color CC custom color	DC dual circuit	347 UNV* *120-277	SSC top-swivel stem mount (specify length in inches) *standard	EML EMH DM RSE 10THD B__ FH

Applications Open and small offices, corridors, retail, healthcare, schools.

Features A high-quality, extra-shallow enclosed commercial fixture. It features a prismatic acrylic lens that mechanically detaches from either side by a lift-and-shift method. The fixture also includes snug-fitting end plates that eliminate light leaks.

Construction The housing, available in 4- or 8-foot standard lengths, is made of die-formed, 20-gauge steel.

Finish The standard exterior body color is gloss white (YGW) or optional textured matte white (TMW) using polyester powder paint. Refer to the **Color Selector** for optional paint colors.

Electrical T8 fixtures have instant-start electronic ballasts with less than 20% THD. Fixtures are U.L. Damp labeled (non-emergency) and I.B.E.W. manufactured. Maximum ballast size available: 2.4" width x 1.5" height.

Mounting Fixture is to be suspended by top-swivel stems or surface-mounted.

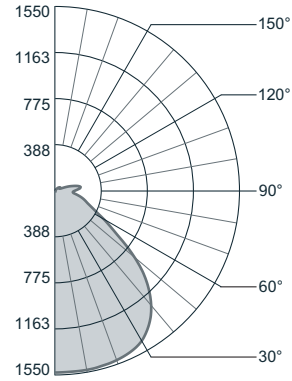
Options **AL**: aluminum body; **EML**: emergency battery (600-700 lumens); **EMH**: emergency battery (1100-1400 lumens); **DM**: dimming (specify manufacturer, voltage and other requirements); **RSE**: rapid-start electronic; **10THD**: ballast with < 10% total harmonic distortion; **B_**: specific ballast, specify manufacturer and catalog number (consult factory); **FH**: fixture fusing (slow blow).

Prudential reserves the right to change design specifications or materials without notice.

photometric data

P-1702-2T8-04-PRA

Report # LSI15380 D=93.3% I=6.7%
 Spacing Criteria: Along 1.3; Across 1.4
 Lamp Lumens: 2950 Input Watts: 59



Candlepower Summary

Vertical Angle	Horizontal Angle					Output Lumens
	0°	22.5°	45°	67.5°	90°	
0	1535	1535	1535	1535	1535	
5	1535	1530	1531	1529	1534	148
15	1485	1488	1508	1521	1530	425
25	1381	1402	1451	1485	1502	665
35	1220	1270	1348	1371	1380	822
45	947	1030	1080	1088	1097	805
55	563	613	668	653	637	573
65	305	311	358	356	358	343
75	156	178	208	234	245	217
85	38	68	90	135	153	109
90	0	16	48	113	152	
95	0	6	41	140	189	79
105	0	10	109	175	180	97
115	0	35	67	72	74	54
125	0	14	30	43	44	25
135	0	13	33	42	42	21
145	0	9	22	31	37	13
155	0	4	14	20	24	6
165	0	0	6	8	12	2
175	0	0	0	0	0	0
180	0	0	0	0	0	0

Zonal Lumen Summary

Zone	% Lamp	% Luminaire
0-90	69.63	93.25
90-180	5.04	6.75

Efficiency = 74.7%

Luminance Summary (cd/m²)

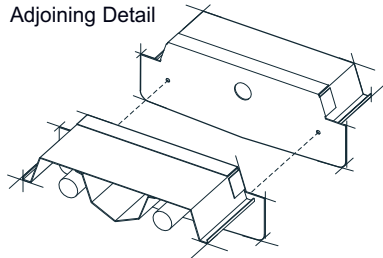
Angle	0°	45°	90°
45	4139	4178	4044
55	3035	3033	2709
65	2232	2037	1865
75	1869	1655	1714
85	1330	1257	1709

Coefficients of Utilization (%)

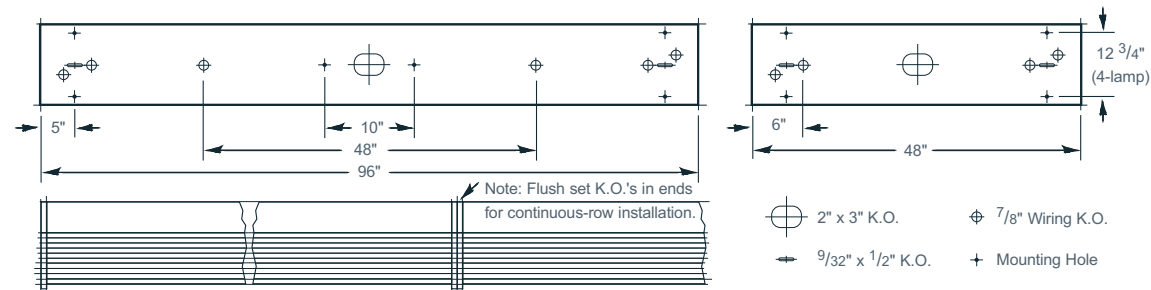
Floor	effective floor cavity reflectance = .20				
	80	70	50	30	10
Ceiling	70	50	30	10	50
Wall	70	50	30	10	50
RCR	0	1	2	3	4
	88	88	88	88	85
	85	85	85	85	80
	80	80	80	80	71
	69	67	67	63	59
	64	60	57	53	50
	53	50	47	43	43
	43	38	38	38	37
	37	37	37	37	32
	29	29	29	29	29
	25	25	25	25	25
	25	25	25	25	25
	21	21	21	21	21
	19	19	19	19	19
	19	19	19	19	19
	19	19	19	19	19
	19	19	19	19	19

installation

Adjoining Detail



Mounting Locations



Prudential reserves the right to change design specifications or materials without notice.