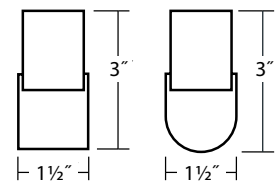


ZDR

Type:

Job:

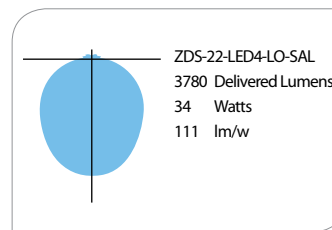


ZDS

**Lots of downlight in a compact package.**

Elevating HalfSnap into an architectural luminaire, Zenith Down is the ultimate direct pendant at over 100 lumens per watt, with integral drivers and crisp lines.

Additional Zenith options (In, Out and Up) offer a wide range of distributions and aesthetics.



UP TO 115 LM/W

	LOW	MEDIUM	STANDARD
<b>22:</b> lm	3800	5000	7000
w	34	44	72
<b>33:</b> lm	5750	7500	10500
w	50	66	108
<b>44:</b> lm	7650	9950	14100
w	67	88	140

Lumen output may vary +/- 5%  
4000K used for lm/ft estimates above  
3500K -2% llf, 3000K -4%, 2700K -6%  
See LED Details PDF for more info



SERIES	NOMINAL LENGTH	LED COLOR	OUTPUT	SHIELDING	COLOR/FINISH	VOLTAGE	MOUNTING	CEILING SYSTEMS	CONTROLS	OPTIONS
ZDS Square Lens	22 2' x 2'	LED3 3000K	LO Low	SAL Satin Acrylic	TMW Textured Matte White	UNV (120-277)	4PM Square 4 Point Mounting - 96" or 200" Cable (Min 18" from fixture to ceiling)	X1 T-Bar	ND Non-Dimming	EML* Emergency Battery, Low
ZDR Round Lens	33 3' x 3'	LED35 3500K	MO Medium		YGW Gloss White (Standard)		Note: 4PM-X1/X6 requires additional part by others, www.erico.com 512HDFM35	X3 Hard Ceiling	DM10 0-10v 10% Dimming (Standard)	EMH* Emergency Battery, High
	44 4' x 4'	LED4 4000K	SO Standard		Y_ Premium Color		MPCA Monopoint Mounting (Adj- 36" min from fixture to ceiling)	X6 Slot Grid	DM01 0-10v 1% Dimming	IBC Insulated Braided Cable
			PROG Programmable Light Output (Specify desired lm or w/fixture)		CC Custom Color		Note: Fixture may spin with air movement CA48", CA96" or CA144" Aircraft cable (Adjustable)		STEP Step Dimming 100-50-Off	PRUBIN Meticulous binning and labeling every LED board within a 2-step MacAdams Ellipse
							SUR Surface or Wall Mount		DML 1% Lutron Dimming	*NA - 2', integral for 3' and 4'
									DMD 0.1% DALI Dimming	
									DMG 1% DALI Dimming	

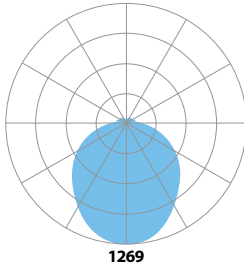




2 X 2 PHOTOMETRICS

Low Output:

ZDS-22-LED4-LO-SAL  
 3780 Delivered Lumens  
 34 Watts  
 111 lm/w  
 4000 CCT  
 Light Labs #101403501



Zonal Lumen Summary:

0-90 = 89%  
 90-180 = 11%

Vertical Angle	0	25	45	65	90
0	1269	1269	1269	1269	1269
5	1263	1264	1262	1265	1264
15	1199	1204	1204	1205	1201
25	1070	1076	1077	1078	1075
35	925	928	924	931	1002
45	792	791	780	788	789
55	655	661	652	650	639
65	502	523	522	507	478
75	328	360	370	344	304
85	185	208	219	197	167
90	88	106	115	101	81
95	95	109	110	90	71
105	79	96	105	106	87
115	75	94	103	97	80
125	65	78	85	79	65
135	57	66	71	67	56
145	48	61	56	53	47
155	37	41	42	40	37
165	29	35	30	30	28
175	21	21	20	21	21
180	0	0	0	0	0

LUMEN MAINTENANCE

Designed to last with cool running mid-power LEDs projected to maintain 90% (L90) of their initial output for 100,000 hours (at HO), and L70 exceeding 150,000 hours.

LED SYSTEM

LED modules and drivers are field replaceable.

PROG (optional)

Programmable light output. Specify desired lumens or watts per fixture.

BINNING

Standard binning (all Prudential LED boards) includes testing at the chip level and board integration to provide consistent color temperature within a 3-step MacAdam ellipse, with +/- 5% lumen output range and +/- .004 Duv.

PRUBIN™ (OPTIONAL)

Prudential Ltg's exclusive 'job binning' method that ensures color temperature consistency across all luminaires on a project. Meticulously testing and labeling EVERY LED BOARD to +/- 25 lumens, +/- 50k CCT and +/- .004 Duv — while also separating positive from negative — allows us to match color, hue and intensity throughout a project and provides a consistent color temperature within a 2-step MacAdam ellipse.

LABELS

ETL damp labeled and I.B.E.W. manufactured

ELECTRICAL

Must specify LED dimming controls. LED fixtures have constant current driver(s) with less than 20% THD when loaded to a minimum of 60%. Drivers sink a maximum of 6mA per driver. DM10 LED drivers are 0-10V dimmable and are compatible with most 0-10V wall slide dimmers and direct 0-10V analog signal dimmers. Max driver size 1.25" w x 1" h.

CONSTRUCTION

Housing

Die-formed 22-gauge steel, >20% PC recycled, 100% recyclable

Corners

Injection molded satin acrylic, 100% recyclable

Lens

Extruded acrylic, 100% recyclable

MOUNTING

Fixture is to be suspended with aircraft cables or surface mounted.

WEIGHT

22 = 15 lbs, 33 = 22 lbs, 44 = 30 lbs

WARRANTY

Single-source, 5 year limited warranty covers standard components and construction





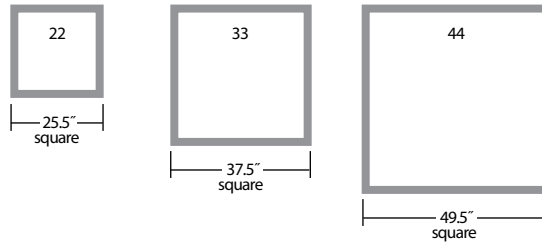
Choose from one of our 14 Premium Colors with no set-up fee.

For paint chip samples, please e-mail: [info@prulite.com](mailto:info@prulite.com)

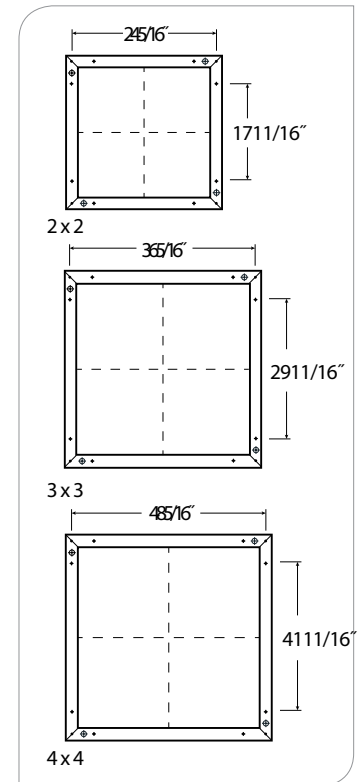


Client: LPA Inc, Architect: LPA Inc

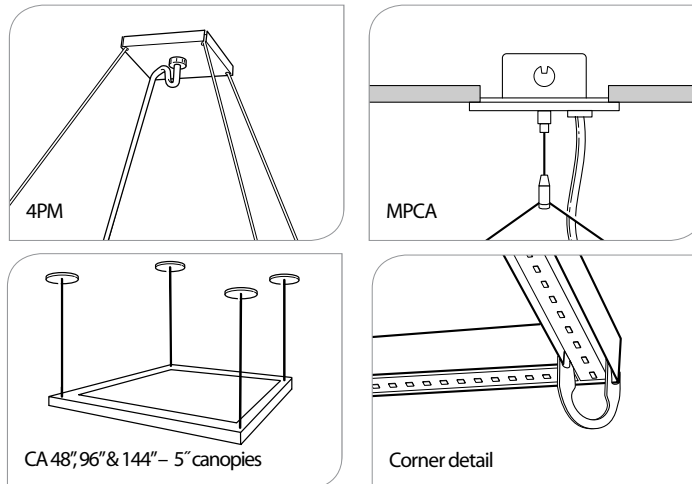
SIZES



SURFACE MOUNT DIMENSIONS



INSTALLATION



COMPLIMENTARY FIXTURES

