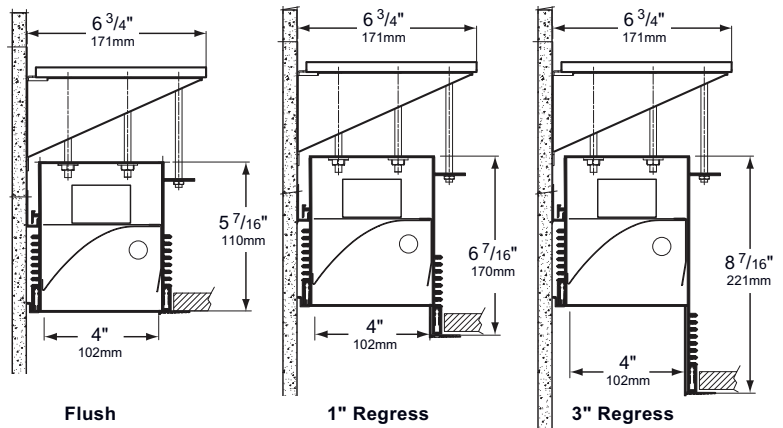
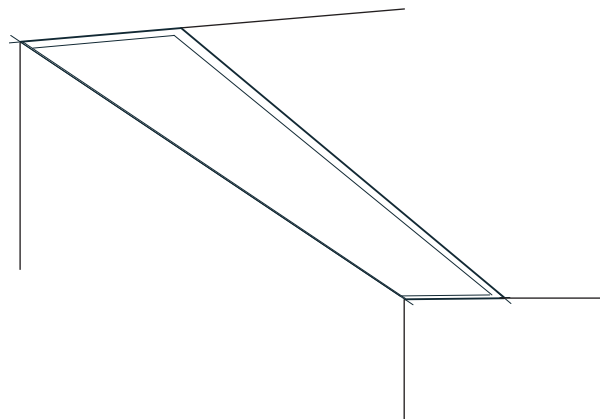




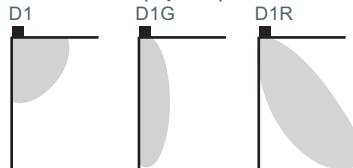
Bionic Perimeter Standard Cove & Perimeter



ordering - BIO-PSTD (STANDARD)

series/ style	lamp rows	nominal length	shielding	color/finish*	distribution	circuit- ing	mounting	voltage	ceiling system	options
Bio-PSTD	1T8	02'	SAL*	TMW† textured matte white	D1 direct/ symmetric	SC single circuit	WTW wall to wall	120	X1* exposed T-bar 15/16	EML* emergency battery (600 to 700 lumens)
FLSH	2T8*	03'	satin acrylic lens (D1 only)	YGW gloss white	D1G* asymmetric 5° wall grazer (1 lamp only)		LP light pocket	277	X1m* exposed T-bar 9/16	EMH* emergency battery (1100 to 1400 lumens)
REG	1T5	04'		Y_ premium color				347†	X2* dimensional T-bar Armstrong Interlude®	DM dimming (consult factory)
REG 1" regressed lens	1T5H	06'	AWW acrylic wal-wash lens (D1G only)	CC custom color	D1R* asymmetric to room (15°), N/A REG3			UNV*†	X6* slot grid	RSE rapid-start electronic
REG 3" regressed lens	*D1 only	08'	SPL silver parabolic louver (D1 only)	*indicates color of flange trim †standard	*AWW lens only			*120-277 †not available with MR16's	X3 hard ceiling flange trim	B_ specific ballast, (consult factory)
		R_*							X7BF hard ceiling (trimless mud-over with backer flange)	FH fixture fusing (slow blow)
		*row length, to avoid socket shadow use seamless or staggered								M1 12" MR16 module (adj.) 1/50w (max) lamp
										M2 12" MR16 module (adj.) 2/50w (max) lamp
										MD SORAA LED 12" MR16 module (adj.) 12w
										C2 90° 2-way corner w/acrylic lens
										*4' minimum Note: all MR16 lamps by others, consult for pricing
										*Techzone™ compatible

Distribution (Optics)



Features A comprehensive 4" Recessed Linear system. See Recessed Linear and Wall Wash for other distributions.

Construction Universal housing for easy installation, made of light-weight extruded aluminum. Specular "stucco" aluminum reflectors. Patent pending double dovetail channel for superior alignment along continuous runs.

Finish The trim is textured matte white (TMW) or optional gloss white (YGW) using polyester powder paint. Refer to Controls and Options section for paint colors.

Electrical Fixtures are U.L. Damp labeled (non emergency) and I.B.E.W. manufactured. Maximum ballast size available: 1.7"W x 1.18"H. T8 fixtures have instant-start electronic ballasts with less than 20% THD. T5 and T5HO fixtures have programmed start electronic ballast with less than 10% THD.

Prudential reserves the right to change design specifications or materials without notice.

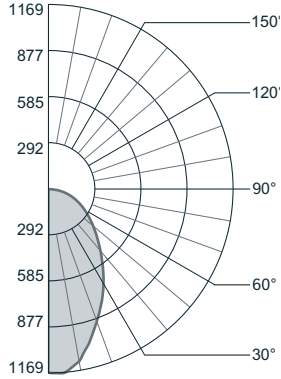
Cove & Perimeter **Bionic Perimeter Standard**

photometric data

BIO-PSM-SMT5HO-04'-AWW-D1G

Report # Lo8110710 D=74.40% I=1.3%
Spacing Criteria: Along .96; Across 1.16

Delivered Lumens: 2600
Input Watts: 32.24
Efficiency: 75.70%



Zonal Lumen Summary

Zone	%Lamp	%Luminaire
0-90	74.40	98.30
90-180	1.30	1.70

Candlepower Summary

Vertical Angle	Horizontal Angle				
	0°	22.5°	45°	67.5°	90°
0	1154	1154	1154	1154	1154
5	1169	1165	1166	1162	1145
10	1107	1112	1132	1144	1122
15	1005	1018	1060	1102	1084
20	897	911	964	1038	1031
25	797	810	860	955	963
30	701	713	756	856	881
35	606	619	657	747	785
40	518	529	563	638	678
45	441	450	476	533	567
50	373	380	398	438	457
55	322	326	336	362	368
60	272	273	275	287	280
65	228	227	221	220	196
70	187	186	176	163	142
75	146	144	134	115	92
80	106	103	94	75	52
85	68	64	55	44	24
90	33	31	25	14	8

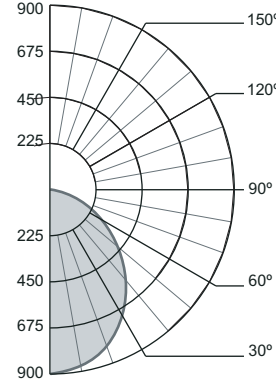
Coefficients of Utilization (%)

Floor Ceiling Wall	effective floor cavity reflectance = .20										
	80			70			50				
	70	50	30	10	70	50	30	10	50	30	10
0	90	90	90	90	88	88	88	88	83	83	83
1	83	80	77	74	81	78	75	73	74	72	70
2	76	71	66	62	74	69	65	61	66	63	60
3	70	63	57	53	68	62	57	52	59	55	51
4	65	57	51	46	63	56	50	46	54	49	45
5	60	51	45	41	59	50	45	40	49	44	40
6	56	47	41	36	55	46	40	36	45	39	36
7	52	43	37	32	51	42	36	32	41	36	32
8	49	40	34	29	48	39	33	29	38	33	29
9	46	37	31	27	45	36	31	27	35	30	27
10	43	34	28	25	42	34	28	25	33	28	25

BIO-PSTD-FLSH-04'-1T8-D1

Report # LLI08110705 D=100.0% I=0.0%
Lamp Lumens: 2950 Input Watts: 32

Delivered Lumens: 2029
Input Watts: 29.54
Efficiency: 69%



Zonal Lumen Summary

Zone	%Lamp	%Luminaire
0-90	68.80	100.00
90-180	0.00	0.00

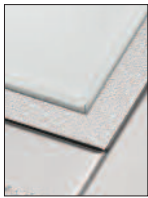
Candlepower Summary

Vertical Angle	Horizontal Angle				
	0°	22.5°	45°	67.5°	90°
0	900	900	900	900	900
5	893	894	893	893	896
10	875	876	873	871	873
15	848	847	840	833	833
20	810	808	794	782	780
25	763	758	739	722	717
30	707	699	675	653	646
35	643	632	604	579	571
40	573	560	530	504	494
45	499	486	456	430	421
50	425	412	383	360	351
55	360	348	322	302	294
60	291	281	259	242	236
65	226	218	201	188	183
70	167	160	149	139	136
75	114	110	102	96	94
80	70	66	63	59	58
85	31	31	30	29	28
90	0	0	0	0	0

Coefficients of Utilization (%)

Floor Ceiling Wall	effective floor cavity reflectance = .20										
	80			70			50				
	70	50	30	10	70	50	30	10	50	30	10
0	82	82	82	82	80	80	80	80	76	76	76
1	75	72	69	67	73	71	68	66	68	66	64
2	69	64	59	55	67	62	58	55	60	57	54
3	63	56	51	47	62	55	50	46	53	49	46
4	58	50	45	40	57	49	44	40	48	43	39
5	54	45	39	35	52	45	39	35	43	38	34
6	50	41	35	31	49	40	35	31	39	34	31
7	46	37	32	28	45	37	31	27	36	31	27
8	43	34	29	25	42	34	28	25	33	28	25
9	41	32	26	22	40	31	26	22	30	26	22
10	38	29	24	20	37	29	24	20	28	24	20

Snap-in ceiling options



X1 T-Bar 15/16"



X1m T-Bar 9/16"



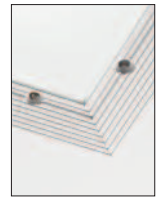
X2 Interlude



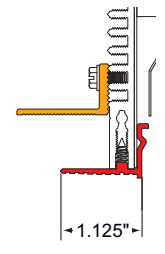
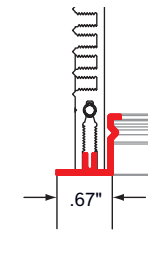
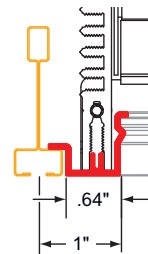
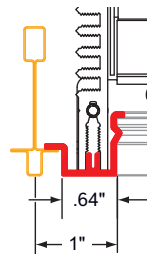
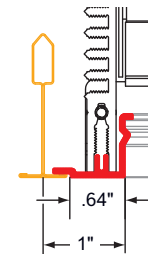
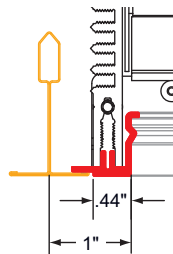
X6 slot grid



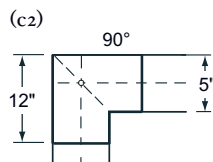
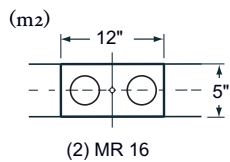
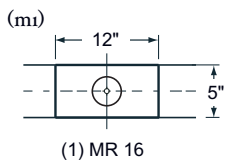
X3 hard ceiling



X7BF hard ceiling mud-over



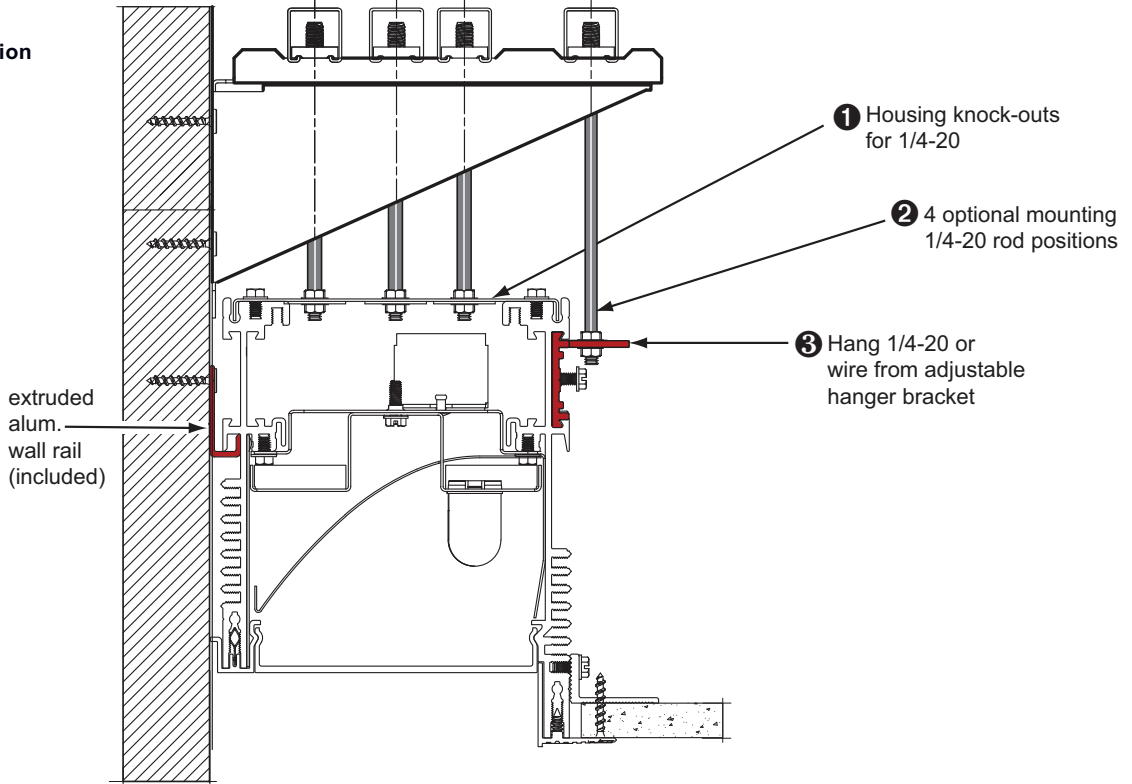
Connectors



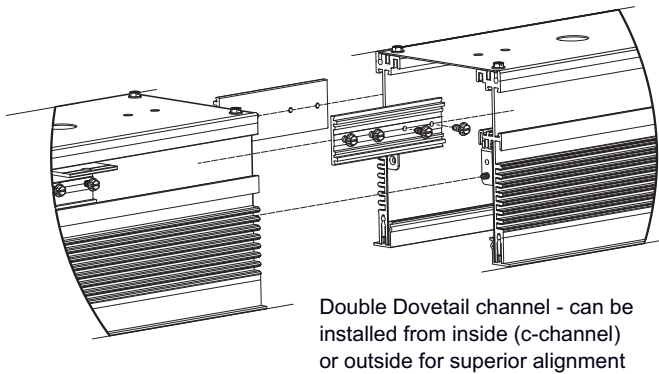
Bionic Perimeter Standard Cove & Perimeter

application

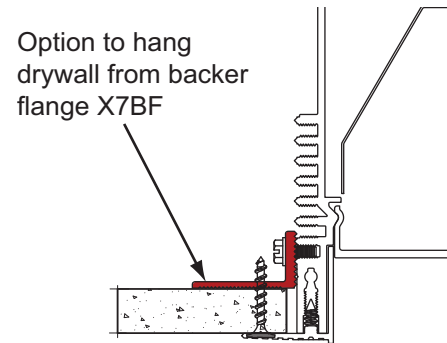
Install Options Suspension



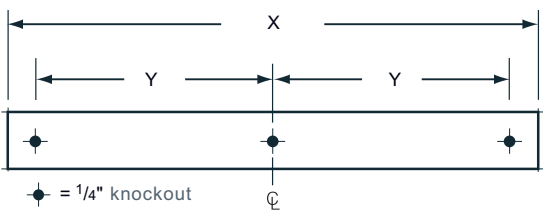
Dovetail Installation Detail



Hanging Drywall Detail



Mounting Detail (1) Housing Detail for 1/4"-20



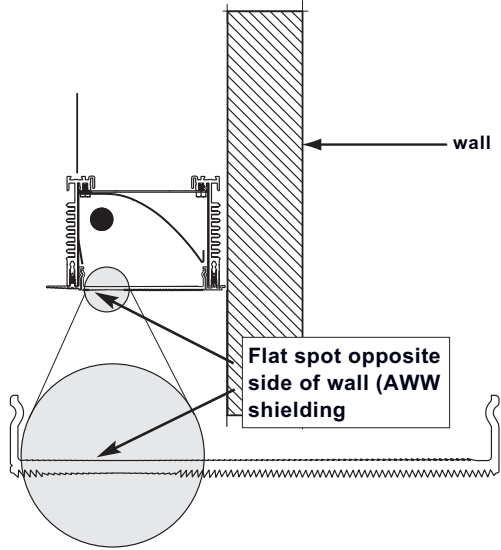
Mounting Conversion Chart

X=2'	Y=9" from centerline
X=3'	Y=15"
X=4'	Y=21"
X=5'	Y=27"
X=6'	Y=33"
X=7'	Y=39"
X=8'	Y=45"

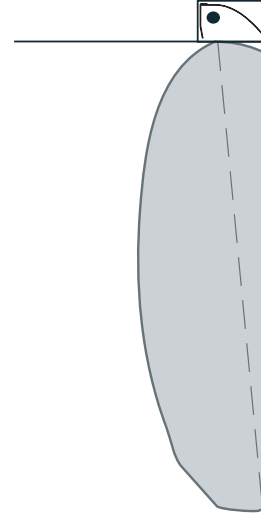
Prudential reserves the right to change design specifications or materials without notice.

application

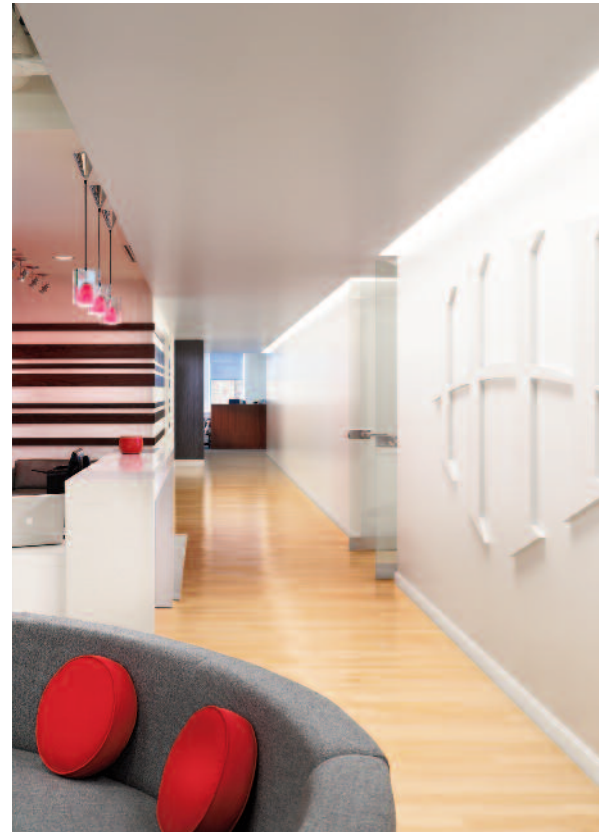
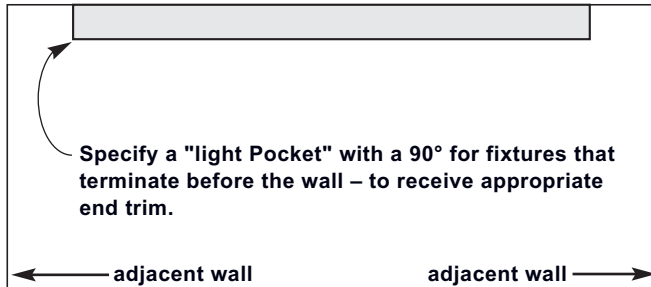
Lens Location



D1G – 5% axis wall grazer (AWW) lens



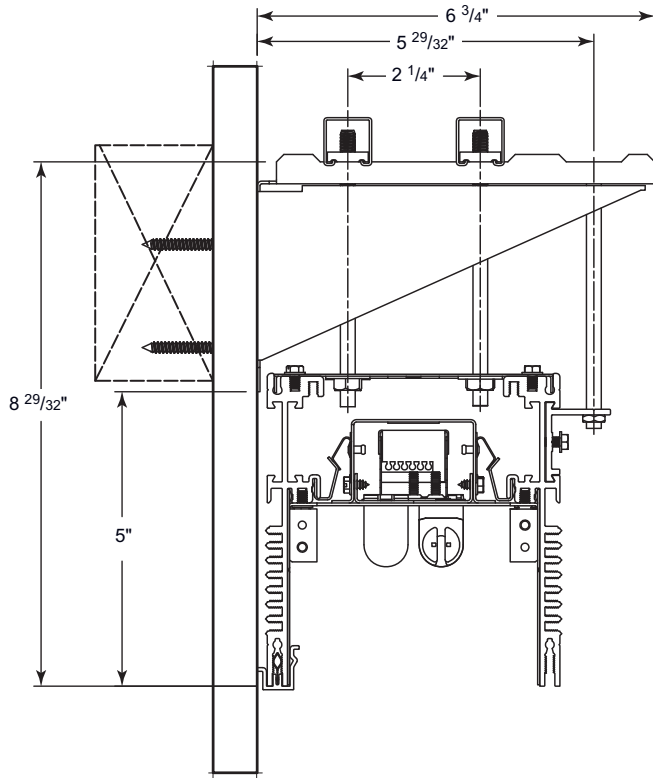
Perimeter Wall



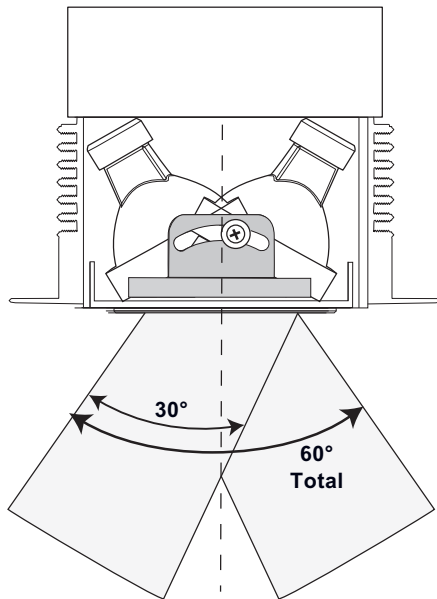
Prudential reserves the right to change design specifications or materials without notice.

Bionic Perimeter Standard Cove & Perimeter

Overhead mounting bracket



MR16 cross section



Max. tilt angle of 30°
Max. rotation of 363°