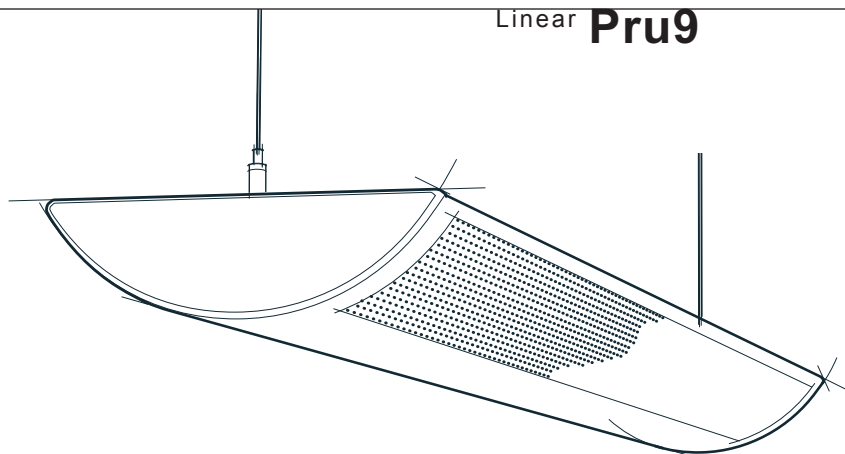
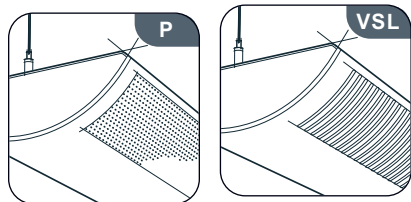
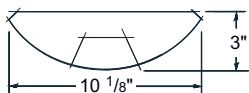


Linear Pru9



ordering

body series/style	lamp rows	nominal length	color/finish	reflector system	circuiting	voltage	mounting	ceiling system	options
PRU9-									
P* perforated	1T8	04'	TMW* textured matte white	W* white ballast cover	SC single circuit lamps	120	CA48** aircraft cable (adjustable)	X1* exposed T-bar	EML
VSL vertical slots	2T8	08'	YGW gloss white	S† specular Miro®IV aluminum	DC* dual circuit (in-line)	277	CA96" aircraft cable (adjustable) CA144" aircraft cable (adjustable) SSC† __top-swivel stem mount (specify length in inches)	X3 hard ceiling	EMH
*standard	3T8	12'	Y__ premium color	*standard †2- or 3-lamp only	347	X6 slot grid		RSE*	
	1T5	R*	CC custom color		UNV*	*120-277		*standard	10THD*
	2T5	*row length	GLV galvanized						B__
	3T5								FH
	1T5HO		*standard						BSH†
	2T5HO								ADC
	3T5HO								IBC
									C2
									C3
									C4
									__DLH**
									__OCO**
									__OCDM**

Applications Open offices, small offices, classrooms.

Features A classic shallow-radiused linear indirect lighting system. Optional Miro®IV specular aluminum reflector (S) enhances ceiling uniformity over the standard white ballast cover (W) on 2- or 3-lamp fixtures, while single lamp versions come standard with a double acrylic lens/reflector system. Finish plates are deep-drawn (3/8"). Fixtures are aligned and secured together using an internal aligner spline. When row-mounting is specified, quick-connect circuit assemblies are supplied. Dimming, emergency, and integrated daylight, and occupancy sensor options are available.

Construction The housing, available in 4-, 8- or 12-foot standard lengths, and finish plates are made of 20-gauge steel.

Finish The standard exterior body color is textured matte white (TMW) or optional gloss white (YGW) using polyester powder paint. Available in optional galvanized finish, or refer to the **Color Selector** for paint colors. Canopies and stems match body color unless otherwise specified. Galvanized fixtures come with pewter (YPE) canopies and stems when stem-mounting is specified.

Electrical T8 fixtures have instant-start electronic ballasts with less than 20% THD. T5HO fixtures have programmed-start electronic ballasts with less than 10% THD. Fixtures are U.L. Damp labeled and I.B.E.W. manufactured. Maximum ballast size available: 2.4" width x 1.5" height.

Mounting Fixture is suspended with aircraft cables or stem-mounted.

Options **EML**: emergency battery (600-700 lumens); **EMH**: emergency battery (1100-1400 lumens); **DM**: dimming (specify manufacturer, voltage and other requirements); **RSE**: rapid-start electronic (T8 only); **10THD**: ballast with < 10% total harmonic distortion (T8 only); **B__**: specific ballast, specify manufacturer and catalog number (consult factory); **FH**: fixture fusing (slow blow); **BSH**: longitudinal body sway hanger (stem-mounting only); **ADC**: acrylic dust cover; **IBC**: insulated braided cord. **C2**: 90° 2-way mitered connector; **C3**: 90° 3-way mitered connector; **C4**: 90° 4-way mitered connector; **__DLH**: RightLight™ Daylight Harvesting System, specify number of sensors per row; **__OCO**: R-Occ™ Integrated Occupancy System – all lamps off/on; specify number of sensors per row **__OCDM**: R-Occ™ - dim to standby mode.

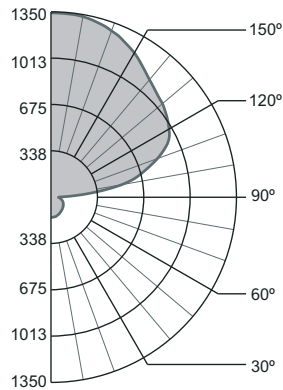
Ⓜ0204 Wal8 companion luminaire

Pru9 Linear

photometric data

PRU-9-P-2T8-04-TMW-W

Report # LSI16392 D=9.1% I=90.9%
 Spacing Criteria: Along 1.2; Across 1.3
 Lamp Lumens: 3000 Input Watts: 58



Candlepower Summary

Vertical Angle	Horizontal Angle					Output Lumens
	0°	22.5°	45°	67.5°	90°	
0	147	147	147	147	147	14
5	146	146	146	147	146	14
15	140	138	140	142	144	40
25	126	125	129	134	135	60
35	106	106	115	122	126	72
45	81	84	96	110	116	75
55	53	62	81	100	106	72
65	26	41	67	88	97	64
75	10	24	52	73	81	51
85	0	11	32	52	61	35
90	0	15	32	52	61	35
95	56	173	229	241	250	223
105	283	399	581	661	689	557
115	514	555	753	898	938	722
125	733	749	860	983	1028	780
135	924	946	990	1056	1081	771
145	1084	1109	1132	1163	1161	705
155	1208	1218	1243	1251	1253	569
165	1293	1296	1316	1317	1315	369
175	1336	1332	1344	1344	1340	129
180	1342	1342	1342	1342	1342	129

Zonal Lumen Summary

Zone	% Lamp	% Luminaire
0-90	8.04	9.09
90-180	80.42	90.91

Efficiency = 88.5%

Luminance Summary (cd/m²)

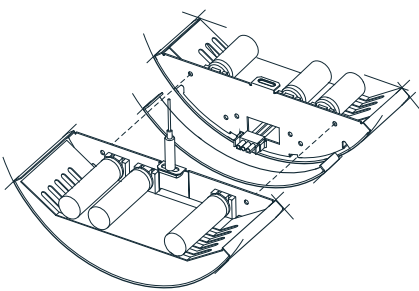
Angle	0°	45°	90°
45	595	741	853
55	478	732	913
65	314	776	971
75	208	733	885
85	0	563	777

Coefficients of Utilization (%)

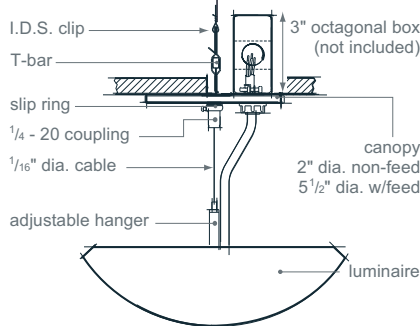
Floor Ceiling Wall	effective floor cavity reflectance = .20											
	80	70	50	30	10	70	50	30	10	50	30	10
RCR 0	86	86	86	86	75	75	75	75	54	54	54	54
1	78	75	71	68	68	65	62	59	47	45	43	41
2	71	65	60	55	61	56	52	48	41	38	35	33
3	65	57	51	46	56	50	45	41	36	32	30	28
4	59	50	44	39	51	44	38	34	32	28	25	24
5	54	44	38	33	47	39	33	29	28	24	21	21
6	49	40	33	28	43	34	29	25	25	21	18	18
7	46	35	29	24	39	31	25	21	22	19	16	16
8	42	32	25	21	36	28	22	18	20	16	14	14
9	39	29	22	18	33	25	20	16	18	15	12	12
10	36	26	20	16	31	23	18	14	17	13	11	11

installation

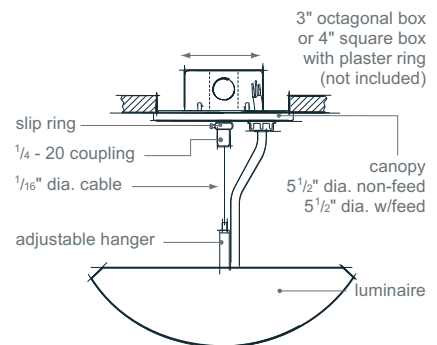
Adjoining Detail



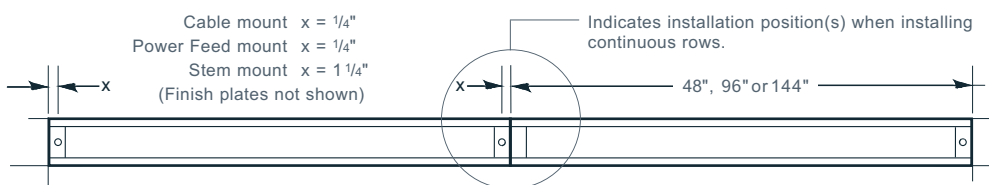
Suspension (x1)



Suspension (x3)



Mounting Locations

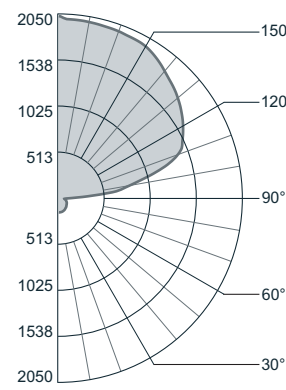


Note: When connecting two or more fixtures in a row, mounting assemblies are required on both ends of the first fixture, with only one mounting assembly required on each additional fixture.

photometric data

PRU-9-VSL-2T5HO-04-TMW-W

Report # LSI15498 D=6.6% I=93.4%
 Spacing Criteria: Along 1.3; Across 1.3
 Lamp Lumens: 4500 Input Watts: 122



Candlepower Summary

Vertical Angle	Horizontal Angle					Output Lumens
	0°	22.5°	45°	67.5°	90°	
0	150	150	150	150	150	14
5	149	148	149	148	150	14
15	146	144	146	145	147	41
25	136	136	138	138	139	63
35	121	122	125	128	127	78
45	100	101	107	113	116	83
55	77	79	91	100	106	81
65	47	57	75	90	96	73
75	21	38	64	77	84	61
85	0	20	46	63	69	45
90	0	20	41	61	60	45
95	62	246	354	361	322	320
105	355	627	990	1097	1092	889
115	716	911	1224	1456	1515	1165
125	1066	1212	1429	1609	1666	1261
135	1368	1474	1641	1751	1786	1243
145	1638	1695	1810	1900	1901	1118
155	1834	1853	1914	1960	1966	879
165	1972	1974	1993	1997	1985	561
175	2044	2037	2038	2022	2000	196
180	2032	2032	2032	2032	2032	196

Zonal Lumen Summary

Zone	% Lamp	% Luminaire
0-90	5.99	6.60
90-180	84.80	93.40

Efficiency = 90.8%

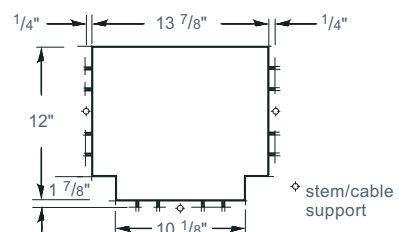
Luminance Summary (cd/m²)

Angle	0°	45°	90°
45	892	934	1000
55	844	967	1055
65	706	1000	1099
75	517	1048	1078
85	92	959	1057

Coefficients of Utilization (%)

Floor Ceiling Wall	effective floor cavity reflectance = .20											
	80	70	50	30	10	70	50	30	10	50	30	10
RCR 0	88	88	88	88	76	76	76	76	54	54	54	54
1	80	76	73	70	69	66	63	60	47	45	43	41
2	72	66	61	56	62	57	53	49	41	38	36	33
3	66	58	52	47	57	50	45	41	36	33	30	28
4	60	51	44	39	52	44	39	35	32	28	25	24
5	55	44	38	33	47	39	34	29	28	24	21	21
6	50	40	33	29	43	35	29	25	25	21	18	18
7	46	36	29	25	40	31	26	22	22	19	16	16
8	43	32	26	21	37	28	23	19	20	16	14	14
9	39	29	23	18	34	25	20	16	18	15	12	12
10	37	26	20	16	32	23	18	14	17	13	11	11

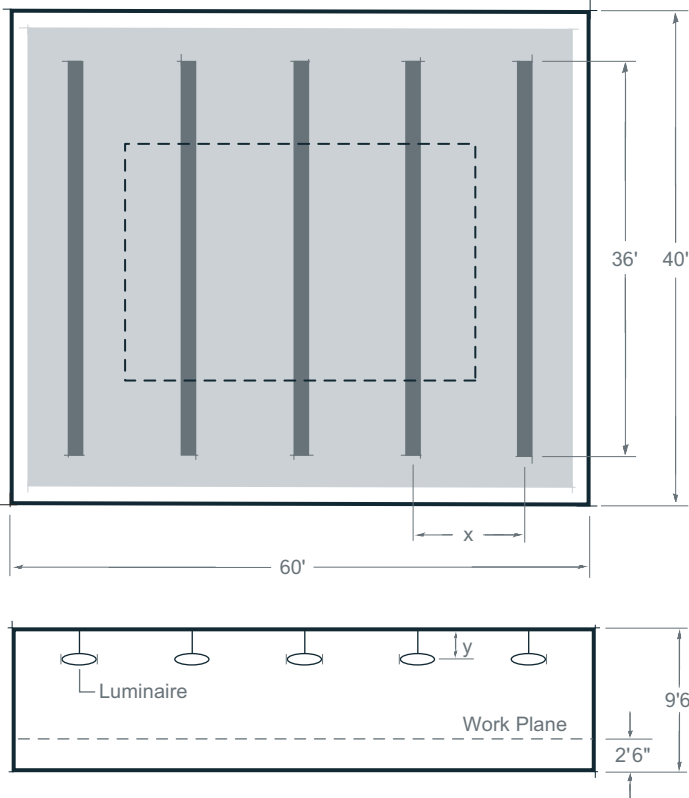
Connectors (c3)



open office application

60' x 40' x 9'6" Open Office Layout

Reflectances used: 80/50/20

 — Average Illuminance/Horizontal Grid (30" A.F.F.)
 - - - Ceiling Uniformity Grid


6 Rows on 10' Centers – PRU-9-P-2T8-W

Overall Suspension ceiling to center of lamp	Average Illuminance maintained (LLF = .70)	Ceiling Uniformity between fixtures	Watts/Square Foot
12"	63.5 FC	10.7 : 1	1.26
18"	62.7 FC	6.2 : 1	1.26
24"	61.9 FC	3.9 : 1	1.26

6 Rows on 10' Centers – PRU-9-P-2T5-W

Overall Suspension ceiling to center of lamp	Average Illuminance maintained (LLF = .85)	Ceiling Uniformity between fixtures	Watts/Square Foot
12"	59.3 FC	10.5 : 1	1.40
18"	58.7 FC	5.8 : 1	1.40
24"	57.7 FC	3.8 : 1	1.40

6 Rows on 10' Centers – PRU-9-VSL-1T5HO-W

Overall Suspension ceiling to center of lamp	Average Illuminance maintained (LLF = .85)	Ceiling Uniformity between fixtures	Watts/Square Foot
12"	59.3 FC	9.3 : 1	1.33
18"	59.0 FC	4.8 : 1	1.33
24"	57.1 FC	2.8 : 1	1.33

5 Rows on 12' Centers – PRU-9-P-2T8-W

Overall Suspension ceiling to center of lamp	Average Illuminance maintained (LLF = .70)	Ceiling Uniformity between fixtures	Watts/Square Foot
12"	55.1 FC	19.6 : 1	1.05
18"	54.8 FC	9.8 : 1	1.05
24"	54.8 FC	5.9 : 1	1.05

5 Rows on 12' Centers – PRU-9-P-2T5-W

Overall Suspension ceiling to center of lamp	Average Illuminance maintained (LLF = .85)	Ceiling Uniformity between fixtures	Watts/Square Foot
12"	53.5 FC	18.1 : 1	1.16
18"	53.5 FC	9.3 : 1	1.16
24"	53.6 FC	5.6 : 1	1.16

5 Rows on 12' Centers – PRU-9-VSL-1T5HO-W

Overall Suspension ceiling to center of lamp	Average Illuminance maintained (LLF = .85)	Ceiling Uniformity between fixtures	Watts/Square Foot
12"	47.6 FC	12.4 : 1	1.10
18"	47.8 FC	6.6 : 1	1.10
24"	48.0 FC	4.0 : 1	1.10

5 Rows on 14' Centers – PRU-9-P-2T8-W

Overall Suspension ceiling to center of lamp	Average Illuminance maintained (LLF = .70)	Ceiling Uniformity between fixtures	Watts/Square Foot
12"	47.3 FC	26.7 : 1	.90
18"	46.9 FC	13.7 : 1	.90
24"	46.8 FC	8.2 : 1	.90

5 Rows on 14' Centers – PRU-9-P-2T5-W

Overall Suspension ceiling to center of lamp	Average Illuminance maintained (LLF = .85)	Ceiling Uniformity between fixtures	Watts/Square Foot
12"	46.2 FC	18.3 : 1	1.00
18"	45.9 FC	11.0 : 1	1.00
24"	45.8 FC	7.1 : 1	1.00

5 Rows on 14' Centers – PRU-9-VSL-1T5HO-W

Overall Suspension ceiling to center of lamp	Average Illuminance maintained (LLF = .85)	Ceiling Uniformity between fixtures	Watts/Square Foot
12"	40.6 FC	18.7 : 1	.95
18"	40.6 FC	9.3 : 1	.95
24"	40.8 FC	5.5 : 1	.95

4 Rows on 16' Centers – PRU-9-P-2T5-W

Overall Suspension ceiling to center of lamp	Average Illuminance maintained (LLF = .85)	Ceiling Uniformity between fixtures	Watts/Square Foot
18"	45.1 FC	10.0 : 1	.80
24"	45.4 FC	7.4 : 1	.80

Prudential reserves the right to change design specifications or materials without notice.



R-Occ™



RightLight™



Efficiency

Pru9 Linear

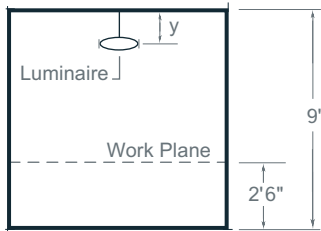
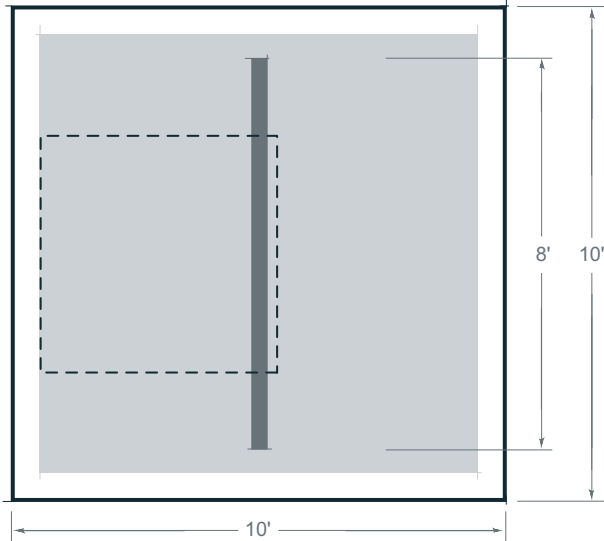
small office application

10' x 10' x 9' Small Office Layout

Reflectances used: 80/50/20

— Average Illuminance/Horizontal Grid (30" A.F.F.)

- - - Ceiling Exitance Grid



8' Single Fixture – PRU-9-P-2T8-W

Overall Suspension ceiling to center of lamp	Average Illuminance maintained (LLF = .70)	Ceiling Exitance (Lm/Sq. Ft.)	
		max	min
12"	30.2 FC	103	23
18"	31.0 FC	90	26
24"	30.5 FC	79	30

8' Single Fixture – PRU-9-P-2T5-W

Overall Suspension ceiling to center of lamp	Average Illuminance maintained (LLF = .85)	Ceiling Exitance (Lm/Sq. Ft.)	
		max	min
12"	35.7 FC	229	13
18"	37.9 FC	165	18
24"	38.5 FC	127	20

Prudential reserves the right to change design specifications or materials without notice.