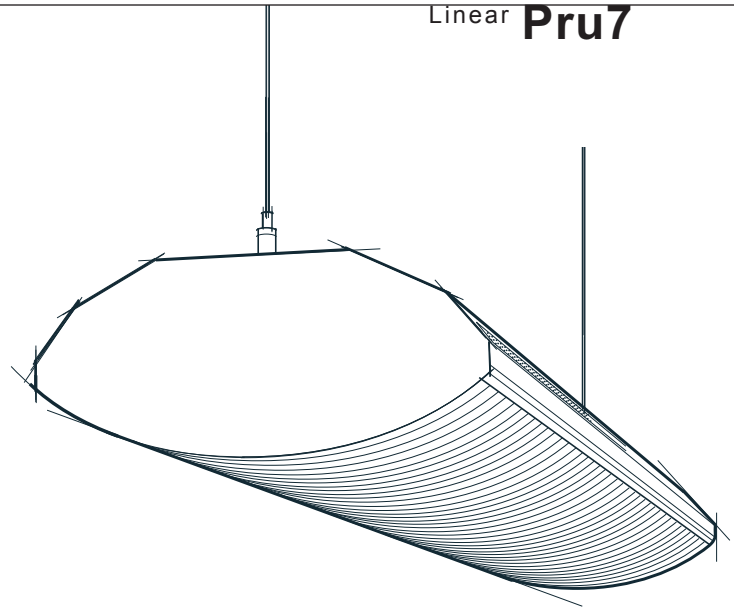
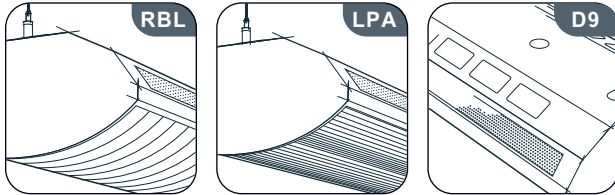
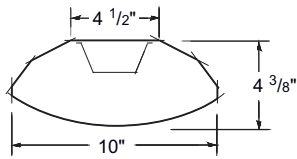


Linear **Pru7**



ordering

lamp series/rows	nominal length	shielding	color/finish	distribution	circuiting	voltage	mounting	ceiling system	options
PRU7-									
2T8	04'	RBL* radial blade louver	TMW* textured matte white	D1 direct	SC single circuit	120	CA48** aircraft cable (adjustable)	X1* exposed T-bar	EML
3T8	08'			D9 semi-direct (85/15)		277		X3 hard ceiling	EMH
2T5	12'	RBL-OL† radial blade louver with acrylic overlay	YGW gloss white		DC dual circuit (in-line)	347	CA96" aircraft cable (adjustable)	X6 slot grid	DM
3T5	R__*		Y__ premium color			UNV*			RSE
2T5HO	*row length					*120-277	CA144" aircraft cable (adjustable)	*standard	10THD
3T5HO		LPA† linear prismatic acrylic lens	CC custom color				SSC† top-swivel stem mount (specify length in inches)		B__
			GLV galvanized						FH
		*standard †not available with DLH	*standard				SUR surface mount		BSH*
									WBC
									IBC
									__DLH†
							*standard †for hard ceilings only		*stem-mounting only †RBL-only

Features A versatile linear direct or semi-direct lighting system. Available with a choice of an aluminum radial blade louver 3/4" high and 1" on center with a 36° longitudinal cutoff, or an extruded, linear prismatic acrylic lens. Upper side of housing is perforated to articulate housing form. Optional slotted top housing offers a semi-direct distribution for illuminating ceilings when stem- or cable-mounted. Fixtures are aligned and secured together with an internal aligner spline. When row-mounting is specified, quick-connect circuit assemblies are supplied.

Construction The housing, available in 4-, 8- or 12-foot standard lengths, and finish plates are made of 20-gauge steel.

Finish The standard exterior body color is textured matte white (TMW) using polyester powder point Refer to **Color Selector** for optional paint colors. Blade louvers, ballast cover, canopies and stems match body color unless otherwise specified. Galvanized fixtures come with pewter (YPE) canopies and stems when stem-mounting is specified.

Electrical T8 fixtures have instant-start electronic ballasts with less than 20% THD. T5/T5HO fixtures have programmed start electronic

ballasts with less than 10% THD. Fixtures are U.L. Damp labeled and I.B.E.W. manufactured. Maximum ballasts size available: 2.38" width x 1.50" height.

Mounting Fixture is surface-mounted or suspended with aircraft cables or stems.

Options **EML**: emergency battery (600-700 lumens); **EMH**: emergency battery (1100-1400 lumens); **DM**: dimming (specify manufacturer, voltage and other requirements); **RSE**: rapid-start electronic (T8 only); **10THD**: ballast with < 10% total harmonic distortion (T8 only); **B__**: specific ballast, specify manufacturer and catalog number; **FH**: fixture fusing (slow-blow); **BSH**: longitudinal body sway hanger for stem mounting; **WBC**: white ballast cover (for increased luminaire efficiency); **IBC**: insulated braided cord; **_DLH**: RightLight™ Daylight Harvesting System – specify number of sensors per row.

Prudential reserves the right to change design specifications or materials without notice.



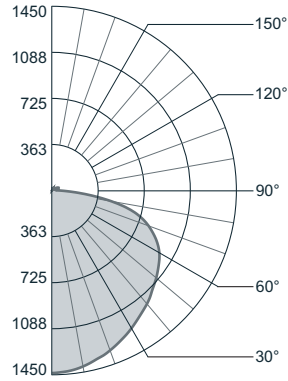
RightLight™

Pru7 Linear

photometric data

PRU-7-2T8-04-RBL-TMW-D1

Report # LSI13486 D=96.9% I=3.1%
Spacing Criteria: Along 1.1; Across 1.3
Lamp Lumens: 3050 Input Watts: 57



Candlepower Summary

Vertical Angle	Horizontal Angle					Output Lumens
	0°	22.5°	45°	67.5°	90°	
0	1433	1433	1433	1433	1433	
5	1422	1422	1425	1422	1424	137
15	1321	1323	1340	1357	1368	378
25	1159	1167	1208	1258	1291	559
35	961	974	1043	1139	1200	662
45	737	757	865	1018	1109	686
55	492	528	679	890	1020	637
65	255	312	501	761	896	532
75	125	164	336	576	670	384
85	26	55	151	205	187	151
90	0	28	75	78	37	
95	0	12	55	73	33	43
105	0	3	36	64	47	33
115	3	3	20	43	50	23
125	5	6	9	22	28	12
135	8	7	6	5	5	5
145	11	9	6	5	4	5
155	13	12	9	6	7	4
165	13	13	12	10	11	3
175	15	14	13	13	13	1
180	13	13	13	13	13	

Zonal Lumen Summary

Zone	% Lamp	% Luminaire
0-90	67.62	96.94
90-180	2.14	3.06

Efficiency = 69.8%

Luminance Summary (cd/m²)

Angle	0°	45°	90°
45	3904	4596	5895
55	3211	4451	6682
65	2263	4450	7970
75	1809	4868	9733
85	1121	6489	8060

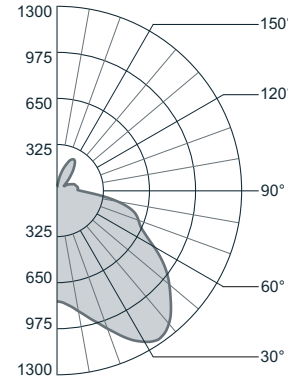
Coefficients of Utilization (%)

Floor Ceiling Wall	effective floor cavity reflectance = .20										
	80	70	50	80	70	50	30	10	50	30	10
RCR 0	83	83	83	83	80	80	80	80	76	76	76
1	75	72	69	66	73	70	67	65	67	64	62
2	68	63	58	54	66	61	57	53	58	55	51
3	62	55	49	45	60	54	49	44	51	47	43
4	57	49	43	38	55	48	42	38	46	41	37
5	52	43	37	32	50	42	36	32	40	35	31
6	48	39	32	28	46	38	32	28	36	31	27
7	44	35	29	24	43	34	28	24	33	27	24
8	41	31	25	21	40	31	25	21	29	24	21
9	38	28	22	18	37	28	22	18	27	21	18
10	35	26	20	16	34	25	20	16	24	19	16

photometric data

PRU-7-2T8-04-LPA-TMW-D9

Report # LSI13850 D=85.5% I=14.5%
Spacing Criteria: Along 1.3; Across 2.1
Lamp Lumens: 3000 Input Watts: 55



Candlepower Summary

Vertical Angle	Horizontal Angle					Output Lumens
	0°	22.5°	45°	67.5°	90°	
0	775	775	775	775	775	
5	776	778	786	793	799	77
15	751	783	846	904	930	240
25	707	776	915	1069	1132	426
35	637	738	970	1212	1273	604
45	544	667	965	1148	1156	697
55	430	549	852	953	950	677
65	272	396	667	687	693	554
75	111	227	441	538	577	406
85	14	90	232	291	314	216
90	0	46	132	177	197	
95	3	33	90	131	147	96
105	16	25	84	127	146	85
115	24	80	76	104	124	81
125	26	149	81	63	82	79
135	28	154	175	122	103	99
145	30	134	230	226	213	110
155	32	101	188	241	251	77
165	32	58	115	150	163	31
175	34	32	40	46	52	5
180	33	33	33	33	33	

Zonal Lumen Summary

Zone	% Lamp	% Luminaire
0-90	64.97	85.46
90-180	11.05	14.54

Efficiency = 76.0%

Luminance Summary (cd/m²)

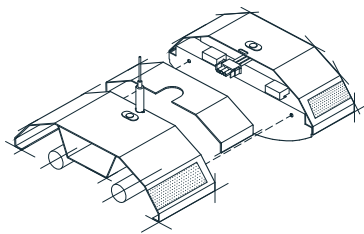
Angle	0°	45°	90°
45	2485	4445	5306
55	2418	4822	5308
65	2079	5036	4970
75	1387	4916	5628
85	535	4234	4386

Coefficients of Utilization (%)

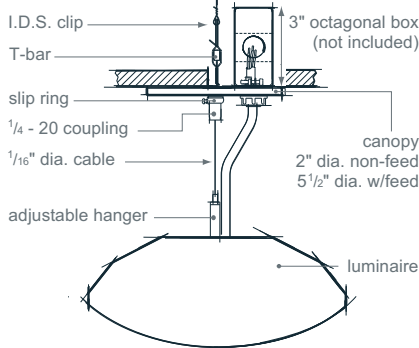
Floor Ceiling Wall	effective floor cavity reflectance = .20										
	80	70	50	80	70	50	30	10	50	30	10
RCR 0	88	88	88	88	85	85	85	85	78	78	78
1	79	75	72	68	76	73	69	66	67	65	62
2	71	65	59	55	69	62	57	53	58	54	50
3	65	57	50	45	62	54	49	44	51	46	42
4	59	50	43	37	57	48	42	37	45	39	35
5	54	43	36	31	51	42	35	30	39	33	29
6	49	38	31	26	47	37	30	26	35	29	25
7	45	34	27	23	43	33	27	22	31	25	21
8	41	30	24	19	39	29	23	19	27	22	18
9	38	27	21	16	36	26	20	16	25	19	15
10	35	25	18	14	34	24	18	14	22	17	13

installation

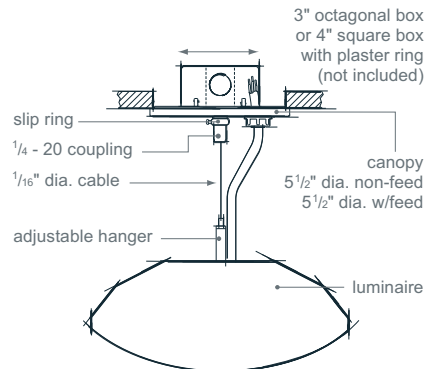
Adjoining Detail



Suspension (x1)

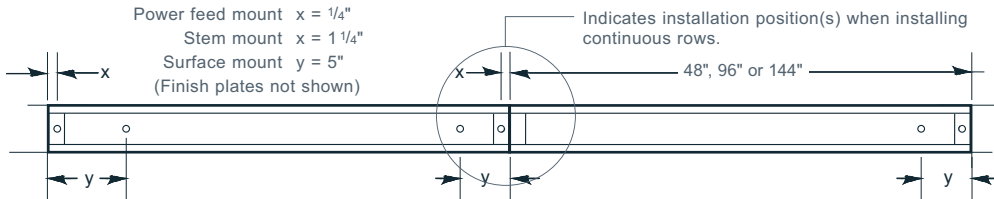


Suspension (x3)



Mounting Locations

- Cable mount x = 1/4"
- Power feed mount x = 1/4"
- Stem mount x = 1 1/4"
- Surface mount y = 5"
- (Finish plates not shown)



Note: When connecting two or more fixtures in a row, mounting assemblies are required on both ends of the first fixture, with only one mounting assembly required on each additional fixture.

Prudential reserves the right to change design specifications or materials without notice.

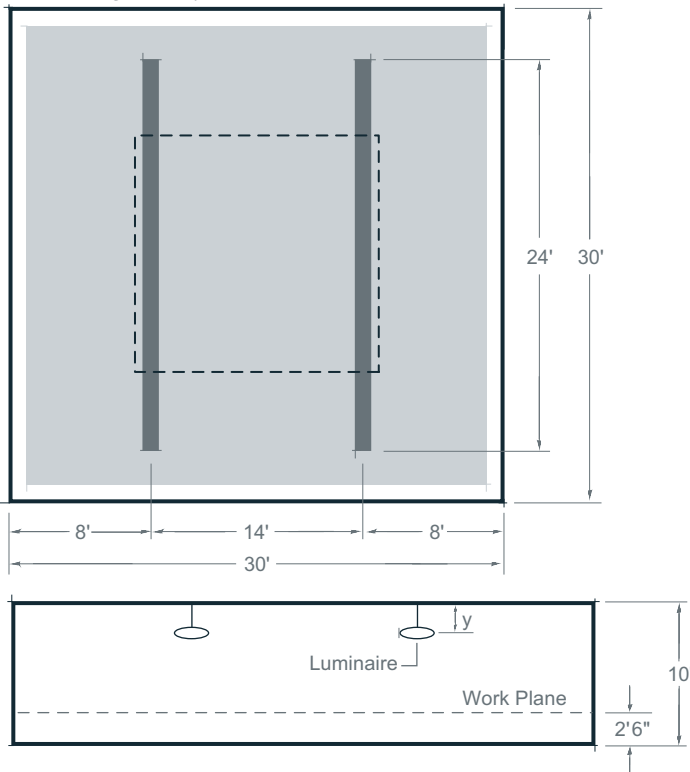
classroom application

30' x 30' x 10' Classroom Layout

Reflectances used: 80/50/20

— Average Illuminance/Horizontal Grid (30" A.F.F.)

- - - Ceiling Uniformity Grid



2 Rows on 14' Centers – PRU-7-2T8-RBL-TMW-D9

Overall Suspension ceiling to center of lamp	Average Illuminance maintained (LLF = .70)	North Wall Average maintained (LLF = .70) between fixtures	Ceiling Uniformity	Watts/ Square Foot
12"	34.6 FC	13.9 FC	N/A	.77
18"	37.0 FC	14.5 FC	N/A	.77
24"	38.6 FC	14.8 FC	N/A	.77

2 Rows on 14' Centers – PRU-7-3T8-RBL-TMW-D9

Overall Suspension ceiling to center of lamp	Average Illuminance maintained (LLF = .70)	North Wall Average maintained (LLF = .70) between fixtures	Ceiling Uniformity	Watts/ Square Foot
12"	53.4 FC	21.7 FC	N/A	1.24
18"	56.6 FC	22.5 FC	N/A	1.24
24"	58.4 FC	22.6 FC	N/A	1.24

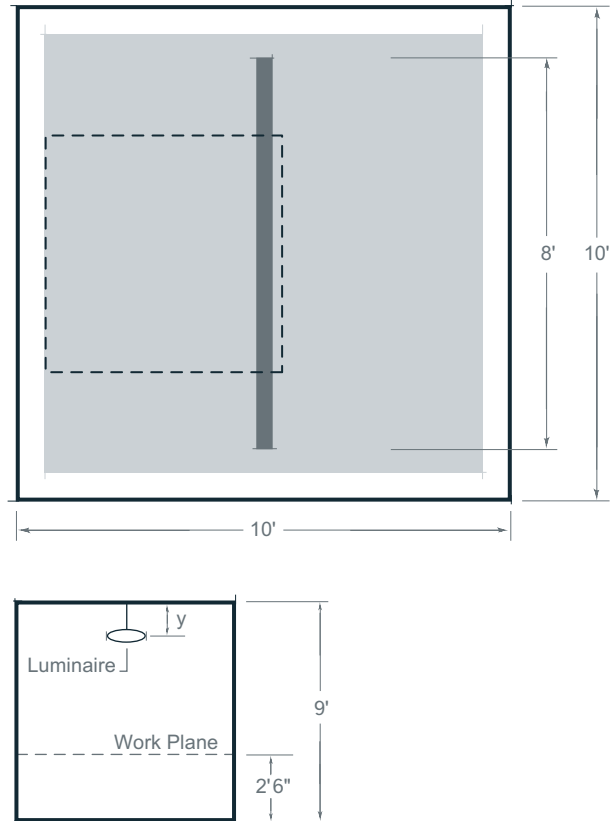
small office application

10' x 10' x 9' Small Office Layout

Reflectances used: 80/50/20

— Average Illuminance/Horizontal Grid (30" A.F.F.)

- - - Ceiling Exitance Grid



8' Single Fixture – PRU-7-2T8-RBL-TMW-D9

Overall Suspension ceiling to center of lamp	Average Illuminance maintained (LLF = .70)	Ceiling Exitance (Lm/Sq. Ft.)	
		max	min
12"	36.1 FC	54	8
18"	37.6 FC	44	8
24"	39.1 FC	34	8

8' Single Fixture – PRU-7-3T8-RBL-TMW-D9

Overall Suspension ceiling to center of lamp	Average Illuminance maintained (LLF = .70)	Ceiling Exitance (Lm/Sq. Ft.)	
		max	min
12"	54.1 FC	81	14
18"	56.3 FC	65	15
24"	58.6 FC	51	16

Prudential reserves the right to change design specifications or materials without notice.



RightLight™

Pru7 Linear

stack lighting application

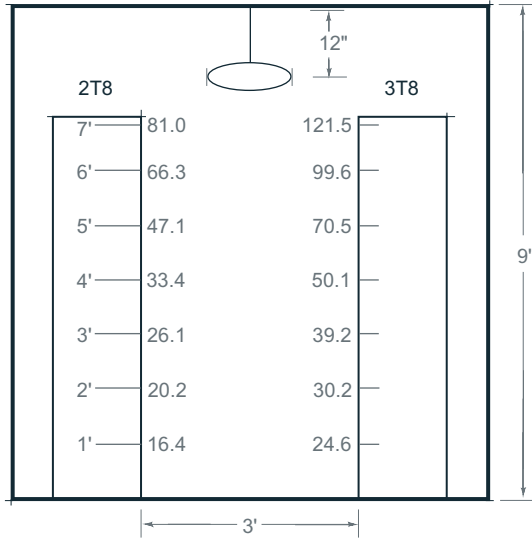
10' x 20' x 9' Room Dimensions

Reflectances used: 80/50/20

16' x 7' Stack Dimensions

Reflectance used: 20%

Average Illuminance/Vertical Grid



16' Single Fixture – PRU-7-2T8-RBL-TMW-D1 Vertical Footcandles

Overall Suspension ceiling to center of lamp	Average Illuminance maintained (LLF = .70)	Max FC	FC's 1' A.F.F.
12"	36.4 FC	81.0	16.4

16' Single Fixture – PRU-7-3T8-RBL-TMW-D1 Vertical Footcandles

Overall Suspension ceiling to center of lamp	Average Illuminance maintained (LLF = .70)	Max FC	FC's 1' A.F.F.
12"	54.6 FC	121.5	24.6

Prudential reserves the right to change design specifications or materials without notice.