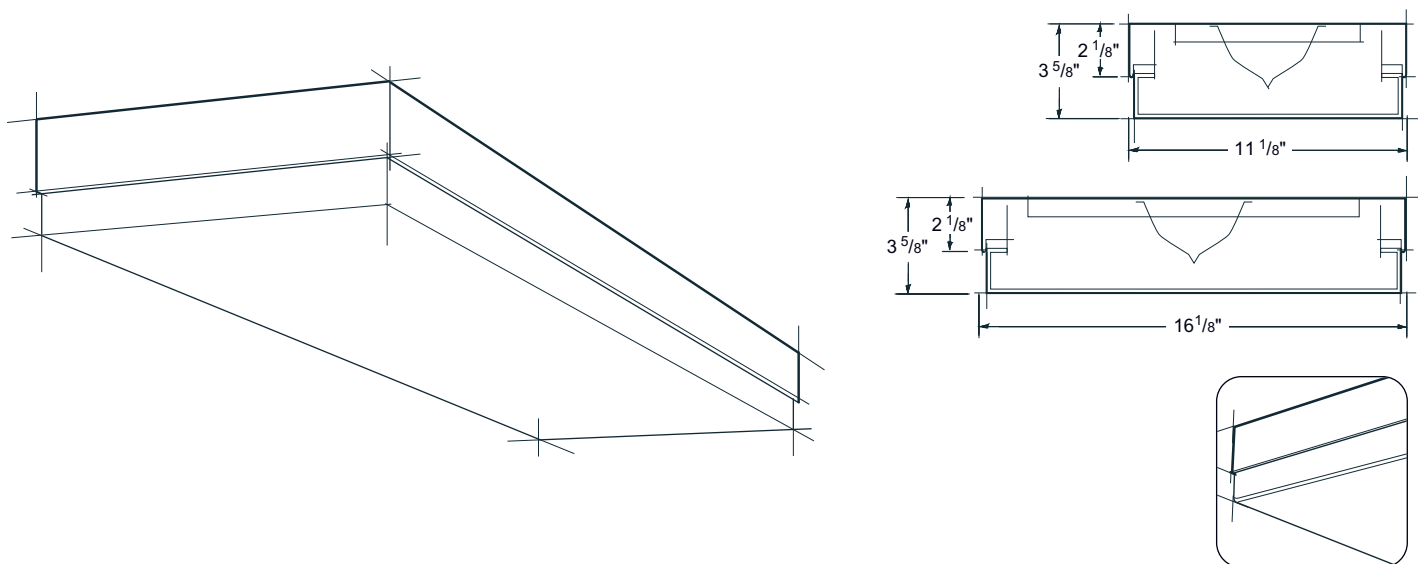


P1800 Surface Mount



ordering

series	lamp rows	nominal length	shielding	color/finish	circuiting	voltage	mounting	options
P1802	11 1/8" body (11 1/8") 2T8	04' 08'	PRA* prismatic acrylic lens	TMW textured matte white	SC single circuit	120 277	SUR* surface mount	AL EML
P1804	16 1/8" body (16 1/8") 2T8 3T8 4T8		WA white acrylic diffuser *standard	YGW* gloss white Y__ premium color CC custom color *standard	DC dual circuit	347 UNV* *120-277	SSC__** top-swivel stem mount (specify length in inches) *standard **for hard ceilings only	EMH DM RSE 10THD B__ FH BSH* *stem-mounting only

Applications Classrooms, libraries, merchandising, individual offices, warehouses.

Features A low-profile, rectangular-lensed luminaire. It features a prismatic or white acrylic lens. There are two body styles available: narrow (11 1/8") and wide (16 1/8"). The fixture also includes a positive torsion spring latching mechanism for superior lens-to-body retention.

Construction The housing, available in 4- or 8-foot standard lengths, is made of 20-gauge steel.

Finish The standard exterior body color is gloss white (YGW) or optional textured matte white (TMW) using polyester powder paint. Refer to the **Color Selector** for optional paint colors.

Electrical T8 fixtures have instant-start electronic ballasts with less than 20% THD. Fixtures are U.L. Damp labeled and I.B.E.W. manufactured. Maximum ballast size available: 2.4" width x 1.5" height.

Mounting Fixture is to be suspended by top-swivel stems or surface-mounted.

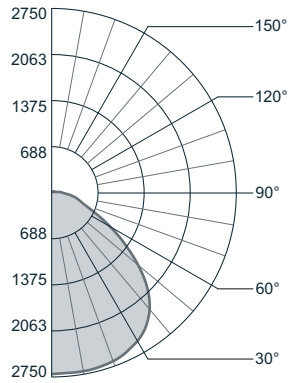
Options **EML**: emergency battery (600-700 lumens); **EMH**: emergency battery (1100-1400 lumens); **DM**: dimming (specify manufacturer, voltage and other requirements); **RSE**: rapid-start electronic; **10THD**: ballast with < 10% total harmonic distortion; **B_**: specific ballast, specify manufacturer and catalog number (consult factory); **FH**: fixture fusing (slow blow); **BSH**: longitudinal body sway hanger (stem-mounting only).

Prudential reserves the right to change design specifications or materials without notice.

photometric data

P-1804-4T8-04-PRA-YGW

Report # LS15383 D=97.1% I=2.9%
 Spacing Criteria: Along 1.3; Across 1.4
 Lamp Lumens: 2950 Input Watts: 114



Candlepower Summary

Vertical Angle	Horizontal Angle					Output Lumens
	0°	22.5°	45°	67.5°	90°	
0	2725	2725	2725	2725	2725	
5	2720	2716	2716	2716	2718	263
15	2641	2643	2681	2710	2723	756
25	2472	2501	2583	2635	2662	1184
35	2198	2267	2388	2464	2490	1474
45	1750	1866	2021	2075	2082	1504
55	1143	1230	1300	1388	1406	1165
65	633	628	679	770	799	702
75	329	294	337	392	471	383
85	98	124	164	258	295	201
90	7	24	90	181	203	
95	8	25	99	155	163	95
105	12	34	62	63	65	56
115	7	23	42	56	58	37
125	1	14	26	36	40	22
135	0	2	15	18	22	9
145	0	0	7	9	12	4
155	0	0	5	6	11	2
165	0	0	1	4	4	1
175	0	0	0	0	0	0
180	0	0	0	0	0	0

Zonal Lumen Summary

Zone	% Lamp	% Luminaire
0-90	64.68	97.12
90-180	1.92	2.88

Efficiency = 66.6%

Luminance Summary (cd/m²)

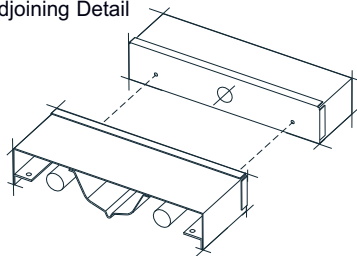
Angle	0°	45°	90°
45	5058	5555	5600
55	4072	4309	4523
65	3063	2944	3319
75	2601	2208	2888
85	2303	2361	3650

Coefficients of Utilization (%)

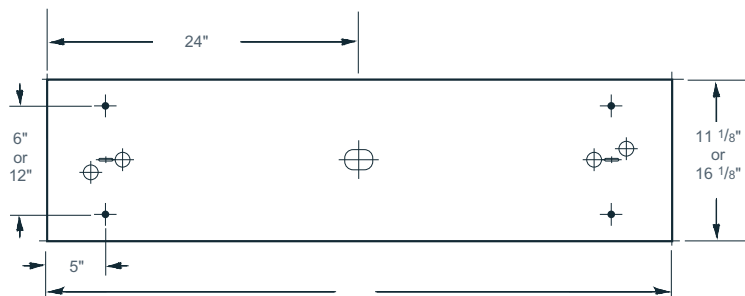
	effective floor cavity reflectance = .20										
	Floor	Ceiling					Wall				
	80	70	50	30	10	50	30	10	50	30	10
RCR 0	79	79	79	79	77	77	77	77	73	73	73
1	73	70	67	65	71	68	66	64	65	63	61
2	67	62	58	54	65	60	57	54	58	55	52
3	61	55	50	46	60	54	49	46	52	48	45
4	57	49	44	40	55	48	43	39	46	42	39
5	52	44	38	34	50	43	38	34	41	37	33
6	48	39	34	30	46	39	33	29	37	33	29
7	44	35	30	26	43	35	29	26	34	29	25
8	41	32	26	22	39	31	26	22	30	25	22
9	37	29	23	19	36	28	23	19	27	22	19
10	35	26	20	17	34	25	20	17	25	20	17

installation

Adjoining Detail



Mounting Locations



- 2" x 3" K.O.
- 2" Outside K.O. & 7/8" Inside K.O.
- 9/32" x 1/2" K.O.
- 7/8" K.O.
- 5/16" Mounting Hole

Prudential reserves the right to change design specifications or materials without notice.