

ordering

series	lamp rows	nominal length	shielding	color/finish	circuiting	voltage	mounting	ceiling system	options		
VDR											
	2T8	04'	RBL*	radial blade louver	TMW*	textured matte white	SC single circuit	120	CA48** aircraft cable (adjustable)	X1* exposed T-bar	EML
	2T5	08'			YGW	gloss white	DC dual circuit (in-line)	277	CA96** aircraft cable (adjustable)	X3 hard ceiling	EMH
	2T5HO	R__*	RBL-OL†	radial blade louver with acrylic overlay	Y__	premium color	UNV*	347	CA144** aircraft cable (adjustable)	X6 slot grid	DM
		*row length			CC	custom color		*120-277			RSE*
					GLV	galvanized					10THD*
			*standard						*standard		B__
			†not available with DLH		*standard						FH
											IBC
											__DLH†

Applications Classrooms, libraries, open offices, individual offices, retail, high-tech industrial.

Features A uniquely designed, closed top, direct/indirect lighting system. Independent forward throw optics for each of the two lamps projects light out and away from the fixture while limiting brightness directly above it. Indirect component reflectors are die-formed steel (white). Downlight component reflector is Miro®IV specular aluminum. Aluminum radial-blade louver is 3/4" high, 1" on center providing 36° cutoff in the along direction. Finish plates can be removed for continuous-row installation. Fixtures are aligned and secured together with an internal aligner spline. When row-mounting is specified, quick-connect circuit assemblies are supplied. Dimming, emergency, and integrated daylight harvesting options are available.

Construction The housing, available in 4- or 8-foot standard lengths, and finish plates are made of 20-gauge steel.

Finish The standard exterior body color is textured matte white (TMW) or optional gloss white (YGW) using polyester powder paint. Available in optional galvanized finish, or refer to the **Color Selector** for optional paint colors. Blade louvers and canopies match body color or optional finish, unless otherwise specified.

Electrical T8 fixtures have instant-start electronic ballasts with less than 20% THD. T5/T5HO fixtures have programmed-start electronic ballasts with less than 10% THD. Fixtures are U.L. Damp labeled (non-emergency) and I.B.E.W. manufactured. Maximum ballast size available: 2.4" width x 1.5" height.

Mounting Fixture is suspended with aircraft cables.

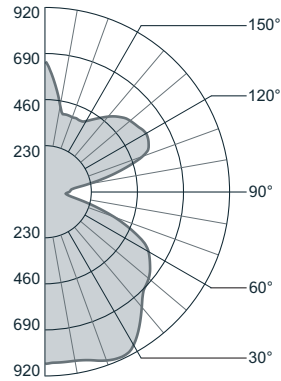
Options EML: emergency battery (600-700 lumens); EMH: emergency battery (1100-1400 lumens); DM: dimming (specify manufacturer, voltage and other requirements); RSE: rapid-start electronic (T8 only); 10THD: ballast with < 10% total harmonic distortion (T8 only); B__: specific ballast, specify manufacturer and catalog number (consult factory); FH: fixture fusing (slow blow); IBC: insulated braided cord; __DLH: RightLight™ daylight harvesting system, specify number of sensors per row.

Prudential reserves the right to change design specifications or materials without notice.

photometric data

VDR-2T5-04-RBL-TMW

Report # LSI15488 D=51.1% I=48.9%
Spacing Criteria: Along 1.0; Across 1.4
Lamp Lumens: 2610 Input Watts: 62



Candlepower Summary

Vertical Angle	Horizontal Angle					Output Lumens
	0°	22.5°	45°	67.5°	90°	
0	861	861	861	861	861	
5	852	852	855	857	857	82
15	759	773	812	857	872	230
25	630	662	758	864	909	350
35	473	528	662	767	816	405
45	314	378	497	616	692	386
55	192	227	351	530	635	341
65	123	138	242	418	496	272
75	65	79	144	221	222	158
85	16	50	112	141	101	104
90	0	61	125	159	118	
95	11	99	130	165	128	143
105	106	211	363	385	359	308
115	233	265	427	538	566	401
125	362	289	439	536	566	387
135	466	336	414	499	529	337
145	545	377	382	426	449	265
155	601	422	401	404	396	199
165	636	526	427	404	400	133
175	648	625	588	558	544	55
180	650	650	650	650	650	

Zonal Lumen Summary

Zone	% Lamp	% Luminaire
0-90	44.58	51.09
90-180	42.68	48.91

Efficiency = 87.3%

Luminance Summary (cd/m²)

Angle	0°	45°	90°
45	2160	3431	4759
55	1629	2977	5262
65	1413	2700	5085
75	1229	2232	2942
85	910	2716	1874

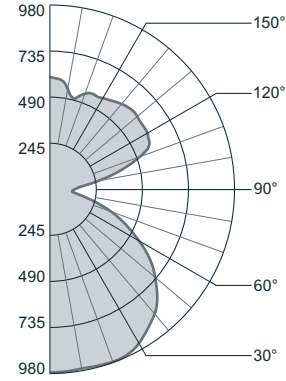
Coefficients of Utilization (%)

Floor Ceiling Wall	effective floor cavity reflectance = 20										
	80		70		50		30		10		
RCR 0	94	94	94	94	87	87	87	87	73	73	73
1	85	82	78	75	79	76	73	69	64	62	60
2	78	71	66	61	72	66	61	57	56	53	50
3	71	63	57	52	66	58	53	49	50	46	42
4	65	56	49	44	60	52	46	41	44	40	36
5	60	49	42	37	55	46	40	35	40	35	31
6	55	44	37	32	51	41	35	30	35	31	27
7	51	40	33	28	47	37	31	26	32	27	23
8	47	36	29	24	43	33	27	23	29	24	20
9	43	32	26	21	40	30	24	20	26	21	18
10	40	29	23	19	37	27	22	18	24	19	16

photometric data

VDR-2T8-04-RBL-TMW

Report # LSI15520 D=50.0% I=50.0%
Spacing Criteria: Along 1.0; Across 1.4
Lamp Lumens: 2950 Input Watts: 60



Candlepower Summary

Vertical Angle	Horizontal Angle					Output Lumens
	0°	22.5°	45°	67.5°	90°	
0	975	975	975	975	975	
5	961	965	967	972	972	93
15	852	868	909	953	971	256
25	703	734	819	930	970	381
35	528	574	706	835	904	441
45	343	403	545	709	803	428
55	204	238	389	547	644	357
65	128	145	242	382	439	261
75	69	81	142	233	225	161
85	14	49	118	160	118	113
90	0	63	140	180	136	
95	13	109	175	214	175	172
105	105	220	363	407	394	324
115	217	297	441	548	581	415
125	329	354	488	568	596	421
135	423	421	505	578	601	389
145	496	447	515	555	570	322
155	547	517	511	548	552	244
165	580	578	533	499	495	153
175	592	596	593	588	583	57
180	593	593	593	593	593	

Zonal Lumen Summary

Zone	% Lamp	% Luminaire
0-90	42.24	49.96
90-180	42.30	50.04

Efficiency = 84.5%

Luminance Summary (cd/m²)

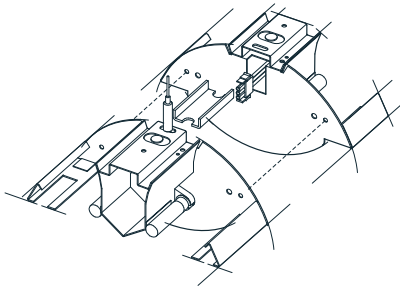
Angle	0°	45°	90°
45	2160	3454	5126
55	1586	3056	4933
65	1351	2496	4159
75	1179	2046	2739
85	726	2541	1936

Coefficients of Utilization (%)

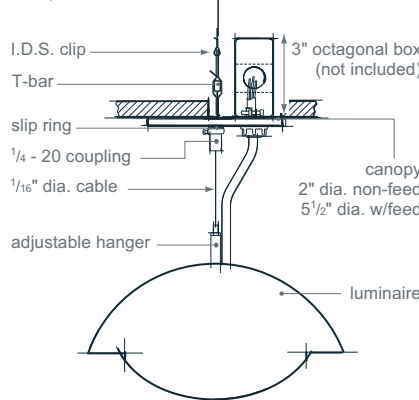
Floor Ceiling Wall	effective floor cavity reflectance = 20										
	80		70		50		30		10		
RCR 0	91	91	91	91	84	84	84	84	70	70	70
1	83	79	76	73	76	73	70	67	62	60	58
2	75	69	64	60	69	64	59	56	54	51	48
3	69	61	55	50	64	57	51	47	48	44	41
4	63	54	48	43	58	50	45	40	43	39	35
5	58	48	41	36	53	45	39	34	38	34	30
6	53	43	36	32	49	40	34	30	34	30	26
7	49	39	32	27	45	36	30	26	31	26	23
8	45	35	28	24	42	32	27	22	28	23	20
9	42	32	25	21	39	29	24	20	25	21	17
10	39	29	22	18	36	27	21	17	23	19	15

installation

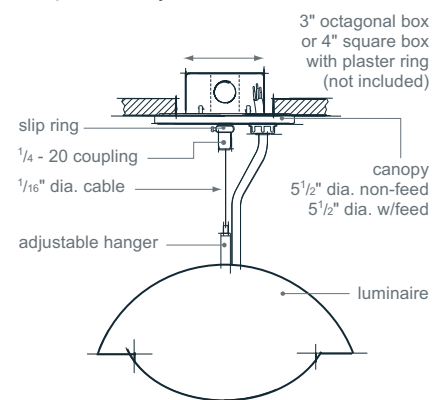
Adjoining Detail



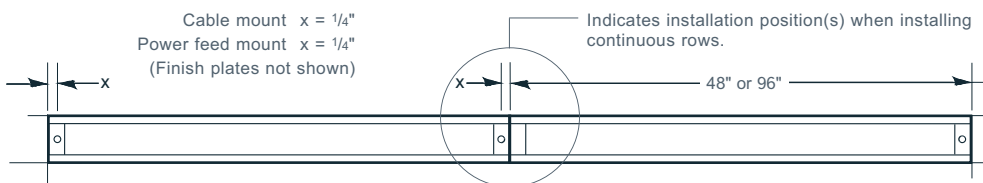
Suspension (x1)



Suspension (x3)



Mounting Locations



Note: When connecting two or more fixtures in a row, mounting assemblies are required on both ends of the first fixture, with only one mounting assembly required on each additional fixture.

Prudential reserves the right to change design specifications or materials without notice.



RightLight™



Efficiency

Vader Linear

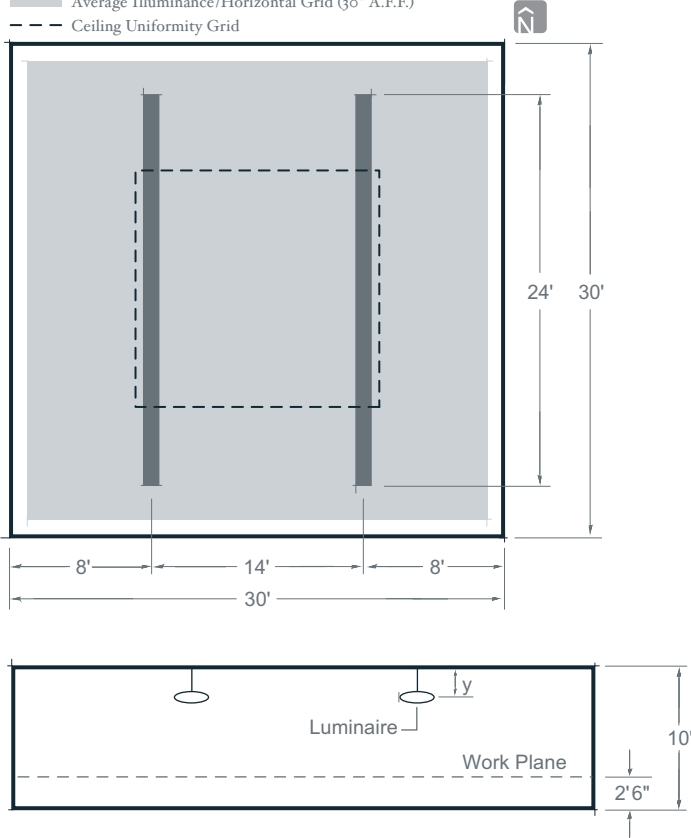
classroom application

30' x 30' x 10' Classroom Layout

Reflectances used: 80/50/20

— Average Illuminance/Horizontal Grid (30" A.F.F.)

- - - Ceiling Uniformity Grid



2 Rows on 14' Centers – VDR-2T8-RBL-TMW

Overall Suspension ceiling to center of lamp	Average Illuminance maintained (LLF = .70)	North Wall Average maintained (LLF = .70)	Ceiling Uniformity between fixtures	Watts/Square Foot
12"	34.5 FC	13.8 FC	15.6:1	.80
18"	37.8 FC	15.1 FC	8.7:1	.80
24"	39.6 FC	15.7 FC	5.7:1	.80

2 Rows on 14' Centers – VDR-2T5-RBL-TMW

Overall Suspension ceiling to center of lamp	Average Illuminance maintained (LLF = .85)	North Wall Average maintained (LLF = .85)	Ceiling Uniformity between fixtures	Watts/Square Foot
12"	36.5 FC	14.6 FC	14.2:1	.83
18"	39.6 FC	15.7 FC	7.6:1	.83
24"	41.0 FC	16.0 FC	4.6:1	.83

2 Rows on 14' Centers – VDR-2T5HO-RBL-TMW

Overall Suspension ceiling to center of lamp	Average Illuminance maintained (LLF = .85)	North Wall Average maintained (LLF = .85)	Ceiling Uniformity between fixtures	Watts/Square Foot
12"	62.9 FC	25.1 FC	14.2:1	1.57
18"	68.2 FC	27.0 FC	7.6:1	1.57
24"	70.7 FC	27.5 FC	4.6:1	1.57

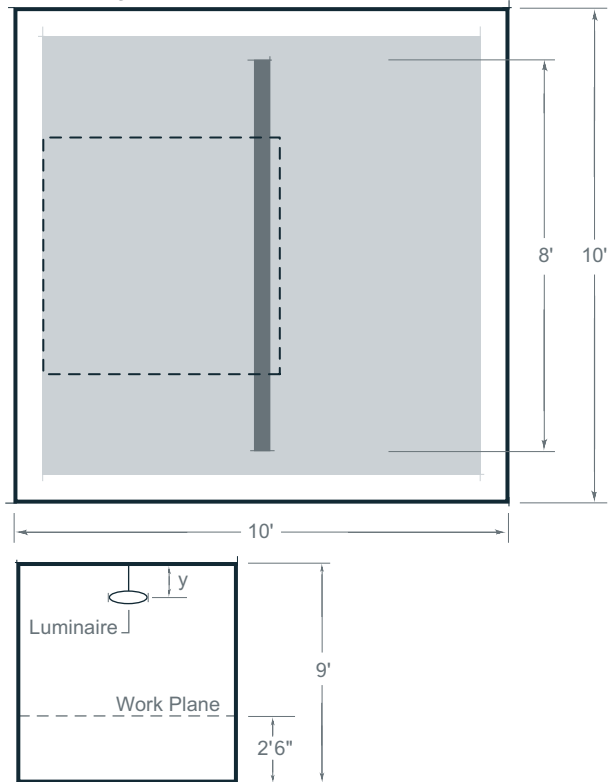
small office application

10' x 10' x 9' Open Office Layout

Reflectances used: 80/50/20

— Average Illuminance/Horizontal Grid (30" A.F.F.)

- - - Ceiling Exitance Grid



8' Single Fixture – VDR-2T8-RBL-TMW

Overall Suspension ceiling to center of lamp	Average Illuminance maintained (LLF = .70)	Ceiling Exitance (Lm/Sq. Ft.)	
		max	min
12"	38.4 FC	127	8
18"	39.7 FC	90	10
24"	41.1 FC	70	12

8' Single Fixture – VDR-2T5-RBL-TMW

Overall Suspension ceiling to center of lamp	Average Illuminance maintained (LLF = .85)	Ceiling Exitance (Lm/Sq. Ft.)	
		max	min
12"	39.9 FC	113	8
18"	39.9 FC	79	10
24"	41.1 FC	62	12

stack lighting application

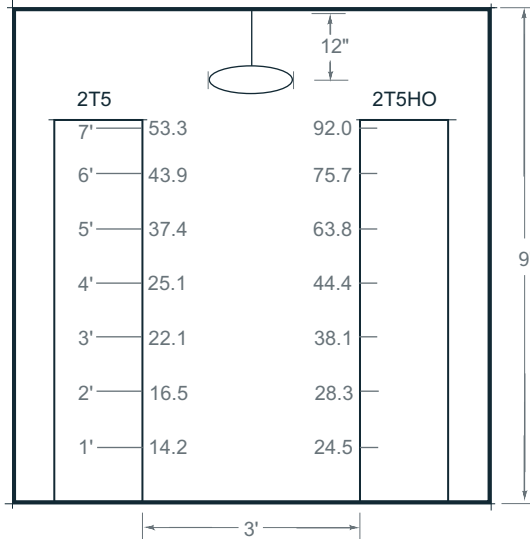
10' x 20' x 9' Room Dimensions

Reflectances used: 80/50/20

16' x 7' Stack Dimensions

Reflectance used: 20□

Average Illuminance/Vertical Grid



16' Single Fixture – VDR-2T5-RBL-TMW		Vertical Footcandles	
Overall Suspension ceiling to center of lamp	Average Illuminance maintained (LLF = .85)	Max FC	FC's 1' A.F.F.
12"	25.7 FC	53.3	14.2

16' Single Fixture – VDR-2T5HO-RBL-TMW		Vertical Footcandles	
Overall Suspension ceiling to center of lamp	Average Illuminance maintained (LLF = .85)	Max FC	FC's 1' A.F.F.
12"	44.4 FC	92.0	24.5