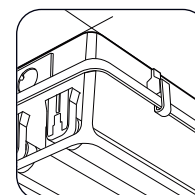
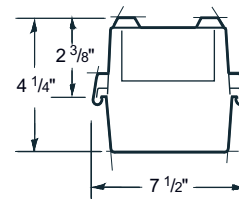
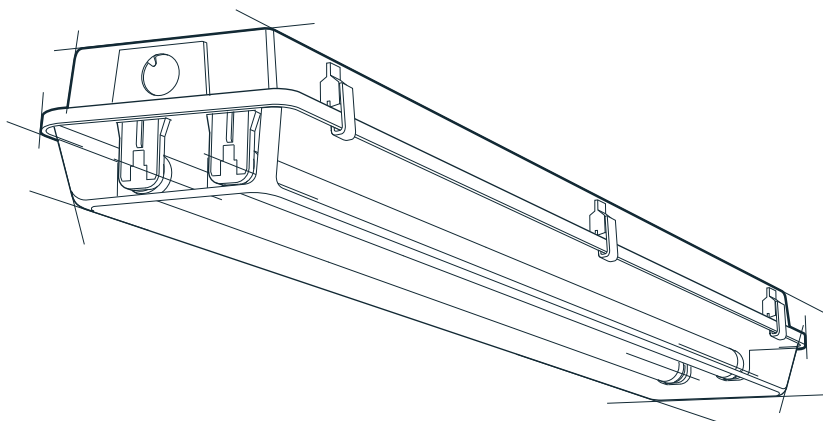


P5360 Special Applications



ordering

series	lamp rows	nominal length	shielding	circuiting	voltage	options
P5360	1T8	02'	PA* pebbled acrylic lens	SC single circuit	120	ALH
	2T8	04'	PLC12 polycarbonate, pattern 12	DC dual circuit	277	EML*
	3T8		WA white acrylic diffuser		347	EMH*
			standard		UNV *120-277	DM RSE 10THD B_ FH TRS

*consult factory for fixture lengths < 4'

Applications Manufacturing, public facilities, salt or corrosive environments, outdoors under canopies.

Features An enclosed and gasketed strip light in a polyester fiberglass housing. The fixture is wet-listed for outdoor use under a covered ceiling. It features one, two or three lamps in cross-sections, with a choice of prismatic, white or pebbled acrylic lenses. Tamper-resistant screws are optional.

Construction The outer housing, available in 2- or 4-foot standard lengths, is made of polyester fiberglass, fully gasketed to protect against dust and moisture. The inner housing is made of die-formed, 20-gauge steel.

Finish The standard inner housing finish is gloss white (YGW) using polyester powder-coat paint.

Electrical T8 fixtures have instant-start electronic ballasts with less than 20% THD. Fixtures are U.L. Wet labeled for under a covered ceiling and I.B.E.W. manufactured. Maximum ballast size available: 2.4" width x 1.5" height.

Mounting Fixture is to be surface-mounted.

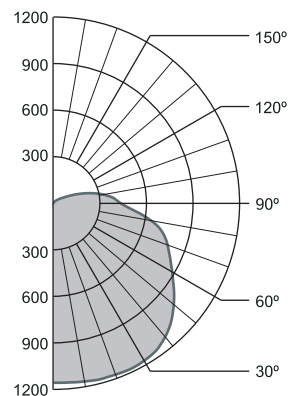
Options **ALH**: aluminum inner housing; **EML**: emergency battery (600-700 lumens); **EMH**: emergency battery (1100-1400 lumens); **DM**: dimming (specify manufacturer, voltage and other requirements); **RSE**: rapid-start electronic; **10THD**: ballast with < 10% total harmonic distortion; **B_**: specific ballast, specify manufacturer and catalog number (consult factory); **FH**: fixture fusing (slow blow); **TRS**: tamper-resistant screws.

Prudential reserves the right to change design specifications or materials without notice.

photometric data

P-5360-2T8-04-PRA

Report # LSI17420 D=90.4% I=9.6%
Spacing Criteria: Along 1.3; Across 1.5
Lamp Lumens: 3000 Input Watts: 62



Candlepower Summary

Vertical Angle	Horizontal Angle					Output Lumens
	0°	22.5°	45°	67.5°	90°	
0	1157	1157	1157	1157	1157	
5	1156	1156	1156	1156	1159	112
15	1115	1125	1146	1164	1174	323
25	1035	1063	1111	1158	1178	512
35	914	965	1056	1130	1157	653
45	750	823	951	1039	1074	717
55	546	647	794	905	947	691
65	340	453	632	774	829	607
75	166	294	511	677	728	506
85	47	170	356	485	518	355
90	20	116	277	393	433	
95	19	88	230	344	389	235
105	11	49	138	220	250	143
115	3	22	68	98	111	63
125	0	7	31	46	49	24
135	0	0	11	21	23	9
145	0	0	3	6	10	3
155	0	0	0	0	0	0
165	0	0	0	0	0	0
175	0	0	0	0	0	0
180	0	0	0	0	0	0

Zonal Lumen Summary

Zone	% Lamp	% Luminaire
0-90	74.61	90.39
90-180	7.94	9.61

Efficiency = 82.5%

Luminance Summary (cd/m²)

Angle	0°	45°	90°
45	5169	5414	5793
55	4565	5116	5687
65	3761	4856	5819
75	2841	5043	6373
85	1899	5174	6285

Coefficients of Utilization (%)

	effective floor cavity reflectance = .20									
	Floor		Ceiling		Wall		70		50	
RCR 0	96	96	96	96	93	93	93	93	87	87
1	86	82	77	74	83	79	75	72	74	71
2	78	70	64	59	75	68	62	57	63	59
3	71	61	54	48	68	59	53	47	56	50
4	64	54	46	40	62	52	45	40	49	43
5	59	47	40	34	56	46	39	33	43	37
6	54	42	34	29	52	41	34	28	39	32
7	49	38	30	25	48	37	30	25	35	28
8	45	34	27	21	44	33	26	21	31	25
9	42	30	23	18	40	30	23	18	28	22
10	39	28	21	16	38	27	20	16	25	20

installation

Mounting Locations



7/8" K.O.
In steel wiring channel.
Outer housing to be field drilled, as required.

Prudential reserves the right to change design specifications or materials without notice.